

# Installation, Operation and Maintenance Manual

## OneFlow<sup>®</sup> Anti-Scale System

**Model OF240-4**  
**OneFlow<sup>®</sup> Anti-Scale System**  
**Chemical-Free, Salt-Free, Scale Prevention**

### Introduction

The OneFlow<sup>®</sup> Anti-Scale System will filter and condition the tap water providing optimum water characteristics for their specified applications. The result is reduced equipment maintenance requirements, longer equipment life and improved quality and consistency of your products.

The OneFlow<sup>®</sup> system is built with the finest and most advanced materials and each system is quality inspected and pressure tested prior to shipment. With proper installation and routine maintenance, you will have years of trouble-free operation.

Please refer to this manual when performing routine filter changes. The instructions make periodic maintenance quick and easy and ensure you will receive maximum benefit from your system.

### System Specifications

**Maximum Pressure:** 125psi/8.6 bar  
**Maximum Temperature:** 100°F/38°C  
**Min.:** 35°F/2°C

**Inlet/Outlet Connections:** 3/4" FNPT  
**Service Flow Rate:** 1-4 gpm

**Gallon Rating:** OF240-4: 65,000 gals. for the OF140RC,  
 1 year for the OF140RM

**Capacity:** OF140RC - change the cartridge at gallon rating or at least every six months .

**Capacity:** OF240-RM cartridge does not have a grain removal capacity, however, other contaminants present in the water will gradually degrade the effectiveness of this cartridge. Change the OF140RM cartridge at least once a year.



**WATTS<sup>®</sup>**



## Notice to Installer

- Do not discard this manual after installation. This manual contains important operation, maintenance and precautionary information. Please present this manual to user/operator/owner after installation.
- It is strongly encouraged that you read this manual before installing system to ensure the best possible installation.
- Installation must conform to all local and state plumbing codes and regulations.
- Connect system to cold water supply only. Water temperature cannot exceed 100°F/28°C.



- System **must be** installed in a vertical, upright and level position.
  - OneFlow® systems **must not** be used in conjunction with polyphosphate or any other scale inhibitor.
- Do not use with water that is microbiologically unsafe or of unknown quality without adequate disinfection before or after the system.
- Notice to user/operator/owner: Please retain this manual for future reference for parts, maintenance or troubleshooting.
- It is recommended that all personnel responsible for operation and maintenance of this product read the precautions, operation and maintenance sections of this manual.



## Installation Precautions!

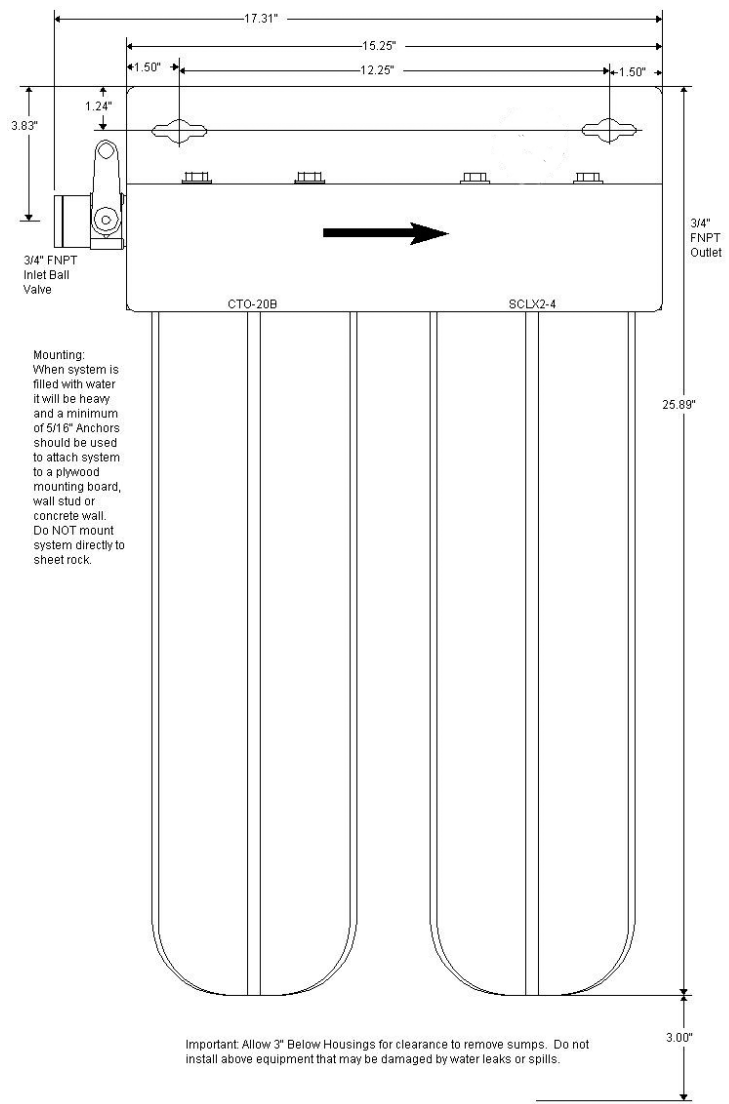
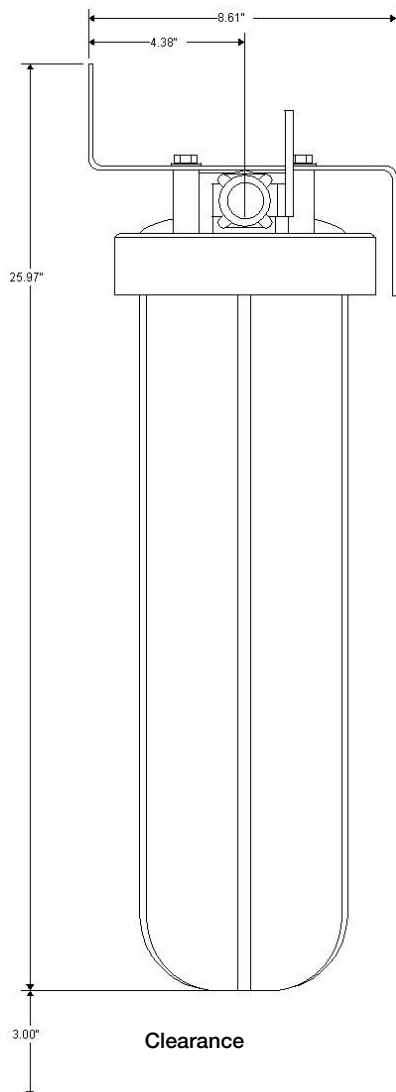
- Do **NOT** install system on line pressure above 125psi.
- Do **NOT** install system on HOT water line. Failure to limit line temperature to 100°F may result in housing failure and damage.
- Do **NOT** install the system backwards with the feed water line connected to the outlet.
- Do **NOT** use liquid pipe compounds for fitting connections. USE two to three wraps of Teflon® tape.
- Do **NOT** solder plumbing connections attached to filter housing or inlet valve. Inlet valve and filter housing will be damaged by high temperature.
- Do **NOT** allow system to freeze. Turn off water supply to housing and drain housing if temperature falls below 32°F.
- Do **NOT** install system in direct sunlight or where system is exposed to harsh chemicals or may be subjected to being struck by moving equipment, carts, mops or any other item that may cause damage.
- **ALLOW** a minimum of 3" under the housing to allow for filter replacement.
- **IF** water hammer is evident, install water hammer arrestors before the OneFlow® unit.
- Do **NOT** overtighten fitting connections into inlet valve or housing outlet.
- Always back-up valves and fittings with a wrench when installing a fitting to avoid turning the valve.
- Do **NOT** install the unit behind equipment where it may be difficult to access the system for filter replacement.

Position the OneFlow® unit in a suitable location. The direction of flow through the OneFlow® unit is always left to right; keep this in mind when determining installation location. Do NOT mount the OneFlow® system near any source of heat. Also, do not mount the system above any device or area that would be adversely affected by water.

# Installation

1. Turn off all equipment to be fed by the OneFlow® System, locate water supply cut-off valve and turn OFF
2. Determine if water line has an existing water treatment system. If so, examine system for use of polyphosphate or other scale inhibitors. OneFlow® will not be effective if used in conjunction with other scale inhibitors. Remove the scale inhibitors from the water line or discontinue installation.
3. Install a 1/2" full-flow ball valve on the water supply side that will feed the water system.
4. Anchor the OneFlow® System on a wall stud or suitable mounting material spanning wall studs. System must be vertical and upright.
5. Run a suitable line from the 1/2" full-flow ball valve at the tap water source to the inlet ball valve on the left side of the OneFlow® system. Use 2-3 wraps of Teflon® tape and brace the inlet ball valve on the system with a wrench when connecting the feed water line. **NOTE: DO NOT OVERTIGHTEN CONNECTION FITTING INTO BALL VALVE.**
6. Select the appropriate size tubing for the equipment being fed and connect it to the outlet of the OneFlow® System. **NOTE: DO NOT** connect the tubing to the equipment at this time. Prior to making connection to the equipment this line will be used to facilitate flushing the system. As an option, a drain valve in a tee on the outlet side of the OneFlow® system could be provided in the line to facilitate flushing when changing filters.
7. With System inlet valve closed, slowly open the 1/2" full-flow ball valve at the tap water source. Check for leaks.
8. If a drain valve was not installed on the outlet side of the system, hold the tubing that will connect to equipment in a clean bucket or over sink or drain. Open the system inlet feed valve and allow water to flush through system for 2 minutes at the specified system flow rate to allow air and any carbon fines to escape. **NOTE: NO ACTIVATION IS REQUIRED FOR THE OneFlow® SYSTEM TO PERFORM PROPERLY. FLUSHING IS RECOMMENDED TO ALLOW AIR TO ESCAPE THE SYSTEM AND REMOVE ANY CARBON FINES PRIOR TO CONNECTING TO EQUIPMENT.**
9. Make certain that the end of the tubing to be connected to the equipment is clean and sanitary.
10. Connect tubing to equipment. Open all water supply valves and check for leaks.
11. If no leaks, turn on equipment and check for normal operation.
12. Attach the Service Log to the installed OneFlow® system and fill in install date.

## Installation Drawings & Dimensions



# Operation

With sufficient pressure, operation of the OneFlow® system is completely automatic. Dependable operation involves only monitoring of outlet pressure, periodic filter changes and service documentation.

# Maintenance

Routine maintenance of your OneFlow® system involves periodic filter cartridge changes and/or replacement of sump O-rings. If the system sizing recommendations have been followed, the OneFlow® system will provide a six (6) month filter replacement interval on most tap water for the OF140RC cartridge. The OneFlow® Cartridge OF140RM should last one year.

## Filter Change Frequency

The filters should be changed in response to the following conditions.

- OF140RC**
- 6 months since installation or last filter change.
  - Reduced water flow.

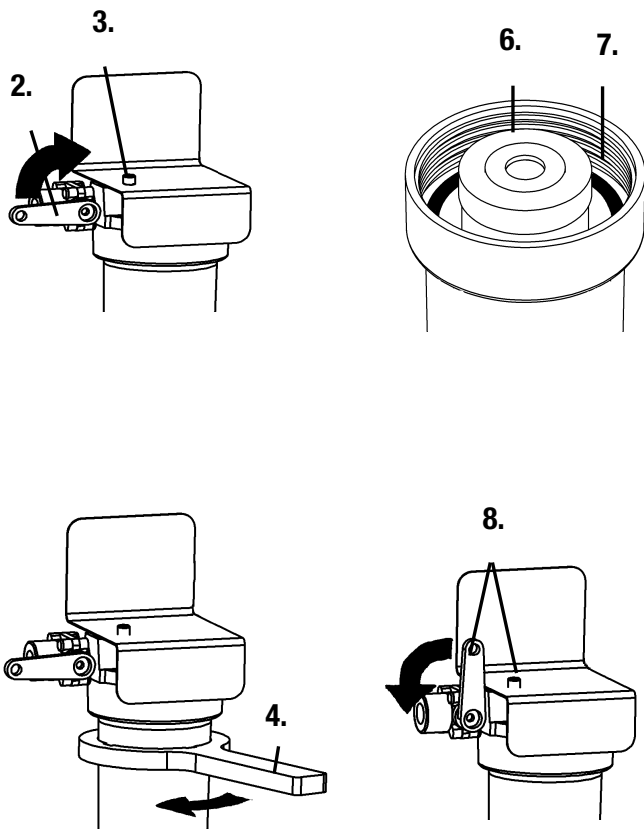
- OF140RM**
- 12 months since installation or last filter change.

If filter change frequency is less than 6 months due to pressure drop, it may be necessary to add additional prefiltration or evaluate system sizing recommendations.

## Filter Cartridge Replacement Procedure

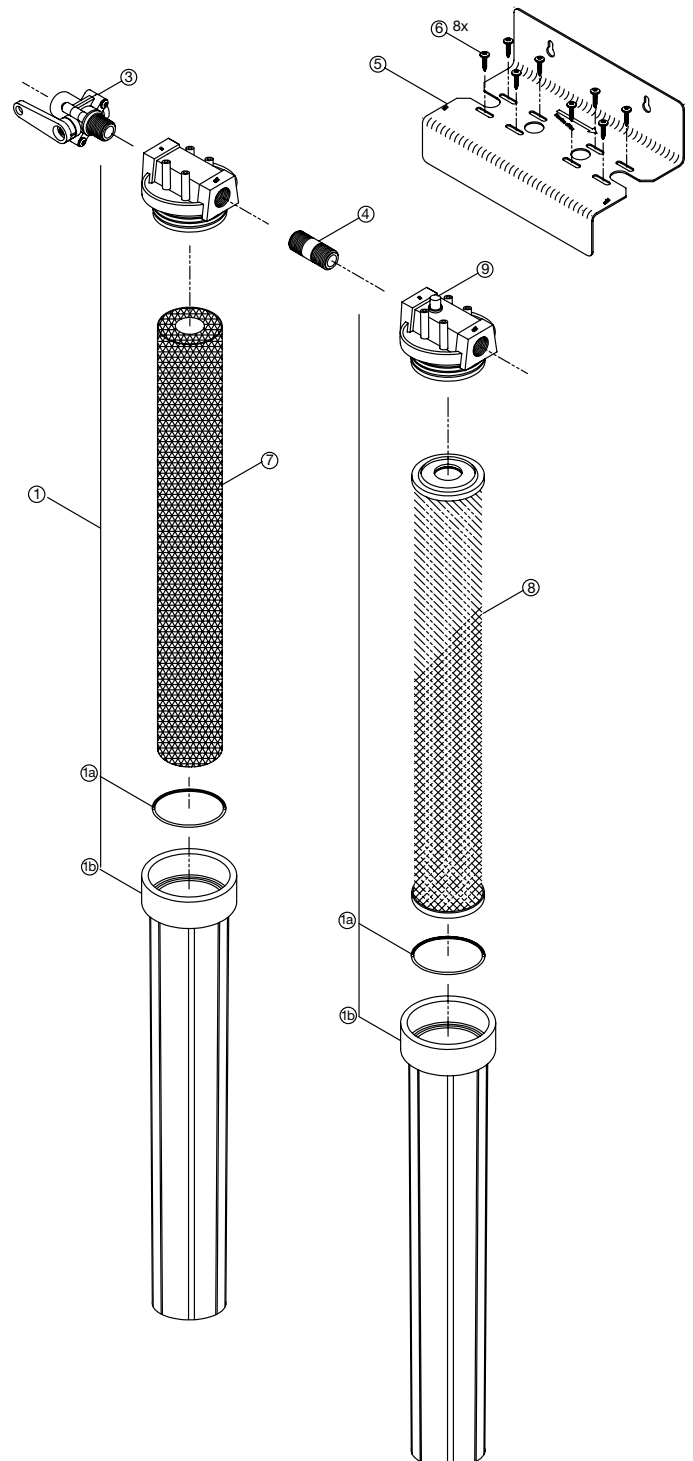
**IMPORTANT:** Determine whether all equipment connected to the OneFlow® system must be turned off prior to shutting off water supply from filters.

1. If required, turn off equipment.
2. Turn OFF water to OneFlow® system by closing Inlet Ball Valve.
3. Press the red button to release pressure.
4. Remove housing(s) - use filter wrench if necessary.
5. Clean inside of housing sumps with warm water. If desired, disinfect housings using a teaspoon of household bleach. Add to filter bowl and fill with water. Let stand 5 minutes, and then discard.
6. Insert new cartridges into filter housings. Match cartridge model numbers to model numbers on bracket.
7. Make certain the O-ring is properly positioned and reinstall filter housings (hand tighten only). Check O-ring for damage and replace if damaged or distorted.
8. Slightly open the inlet ball valve; push the red pressure relief button to release trapped air until a small amount of water comes out - release the red button and fully open the ball valve.
9. Open the flush valve downline from the filter housing (if equipped) and flush the new cartridges to drain or bucket for two (2) minutes or until water runs clear. If no flush valve is present, disconnect line from equipment to flush to drain.
10. **VERY IMPORTANT:** With water supply inlet valve OPEN and water flow confirmed, turn on connected equipment. Failure to supply water to equipment may cause serious damage.
11. Record filter change on the service log.



# Replacement Parts for: OneFlow® OF240-4

Drawing ID #	Description
1	Housing
1a	O-Ring
1b	Sump Only
3	Valve, Inlet Ball 3/4"
4	Nipple
5	Bracket, White PC
6	Screw
7	OF140RC Replacement Cartridge
8	OF140RM Replacement Cartridge
9	Pressure Relief Button



## Limited Warranty

- The OneFlow® tank system is warranted to be free of defects in materials and workmanship for 5 years from the date of original shipment.
- The OneFlow® media is warranted for performance for a period of 2 years from the date of the original installation when installed and operated in accordance with the instructions in the corresponding Installation and Operation Manual.

Watts Regulator Company warrants its OneFlow® cartridge systems as follows:

- The OneFlow® cartridge system is warranted to be free of defects in materials and workmanship for 1 year from the date of original shipment.
- OneFlow® cartridges are warranted for performance for a period of one year from the date of original installation when installed and operated in accordance with the instructions in the corresponding Installation and Operation Manual.
- Carbon replacement filter cartridges are not warranted to perform for any period of time because the service life of replacement carbon filter cartridges varies significantly with local water conditions and volume.

## Conditions

1. The OneFlow® system must be installed in applications with municipally supplied water adhering to EPA guidelines.
2. Any component failure must not result from abuse, fire, freezing or other acts of nature, violence, or improper installation.
3. Equipment must be installed and operated in compliance with the local plumbing codes and on an approved water supply.
4. Equipment is limited to use at water pressures and temperatures that do not exceed our published specifications.
5. Water supply must not exceed 2.0 PPM chlorine. For water supply exceeding 2.0 PPM chlorine, pretreatment is required. (Please contact your water treatment specialist.)
6. Information, including model number, serial number, and date of installation, must be provided for any claims pertaining to equipment in warranty.
7. Defective parts are subject to inspection by either Watts Regulator Company or any authorized representative before final commitment of warranty adjustment is made.
8. Watts Regulator Company reserves the right to make changes or substitutions in parts or equipment with material of equal quality or value and of then current production.

## Limitations

Our obligation under this warranty with respect to the tank or valve is limited to furnishing a replacement for, or at our option, repairing any part or parts to our satisfaction that prove defective within the warranty period stated above. Such replacement parts will be delivered to the owner F.O.B. nearest factory, at no cost, excluding freight and local labor charges, if any.

Our obligation under this warranty with respect to the OneFlow® media will be limited to furnishing a replacement for the media within two years from date of original installation. Such replacement media will be delivered to the owner F.O.B. nearest factory, at no cost, excluding freight and local labor charges, if any. Damage to the media due to chlorine, other oxidizers or fouling caused by local water conditions or any other operation outside of the limits shown under Specifications, is not covered by this warranty.

THE WARRANTY SET FORTH HEREIN IS GIVEN EXPRESSLY AND IS THE ONLY WARRANTY GIVEN BY WATTS REGULATOR COMPANY WITH RESPECT TO THE PRODUCT. WATTS REGULATOR COMPANY MAKES NO OTHER WARRANTIES, EXPRESS OR IMPLIED. WATTS REGULATOR COMPANY HEREBY SPECIFICALLY DISCLAIMS ALL OTHER WARRANTIES, EXPRESS OR IMPLIED, INCLUDING BUT NOT LIMITED TO THE IMPLIED WARRANTIES OF MERCHANTABILITY AND FITNESS FOR A PARTICULAR PURPOSE.

The remedy described under this warranty shall constitute the sole and exclusive remedy for breach of warranty, and Watts Regulator Company shall not be responsible for any incidental, special or consequential damages, including without limitation, freight, handling, lost profits or the cost of repairing or replacing other property which is damaged if this product does not work properly, other costs resulting from labor charges, delays, vandalism, negligence, fouling caused by foreign material, damage from adverse water conditions, chemical, or any other circumstances over which Watts Regulator Company has no control. This warranty shall be invalidated by any abuse, misuse, misapplication or improper installation of the product.

Some states do not allow limitations on how long an implied warranty lasts, and some states do not allow the exclusion or limitation of incidental or consequential damages. Therefore the above limitations may not apply to you. This warranty gives you specific legal rights, and you may have other rights that vary from state to state. You should consult applicable state laws to determine your rights. SO FAR AS IS CONSISTENT WITH APPLICABLE STATE LAW, ANY IMPLIED WARRANTIES THAT MAY NOT BE DISCLAIMED, INCLUDING THE IMPLIED WARRANTIES OF MERCHANTABILITY AND FITNESS FOR A PARTICULAR PURPOSE, ARE LIMITED IN DURATION TO THE APPLICABLE WARRANTY PERIODS STATED ABOVE.

### CALIFORNIA PROPOSITION 65 WARNING

**WARNING:** This product contains chemicals known to the State of California to cause cancer and birth defects or other reproductive harm. (California law requires this warning to be given to customers in the State of California.)

For more information: [www.watts.com/prop65](http://www.watts.com/prop65)



A Watts Water Technologies Company



USA: 815 Chestnut St., No. Andover, MA 01845-6098; [www.watts.com](http://www.watts.com)

Canada: 5435 North Service Rd., Burlington, ONT. L7L 5H7; [www.wattscanada.ca](http://www.wattscanada.ca)

# Manual de instalación, funcionamiento y mantenimiento

## OneFlow<sup>®</sup> Anti-Scale System

Modelo OF240-4

Sistema antisarro OneFlow<sup>®</sup>

Prevención de sarro sin sustancias  
químicas, sin sal

### Introducción

El Sistema antisarro OneFlow<sup>®</sup> filtrará y acondicionará el agua corriente brindándole características óptimas para sus aplicaciones específicas. Como resultado se reducen los requisitos de mantenimiento del equipo, se prolonga su duración y se mejora la calidad y consistencia de sus productos.

El sistema OneFlow<sup>®</sup> se fabrica con los mejores y más avanzados materiales y cada sistema es sometido a un control de calidad y a una prueba de presión antes de su envío. Mediante la correcta instalación y el mantenimiento periódico, usted contará con años de uso sin problemas.

Consulte este manual al realizar los cambios de filtro periódicos. Las instrucciones facilitan y agilizan el mantenimiento periódico, lo que le permitirá aprovechar su sistema al máximo.

### Especificaciones del sistema

**Presión máxima:** 125 psi/8,6 bar

**Temperatura máxima:** 100 °F/38 °C

**Mín.:** 35 °F/2 °C

**Conexiones de entrada/salida:** 3/4" FNPT

**Caudal de servicio:** 1-4 gpm

**Clasificación de galón:** OF240-4: 65.000 gal. para el OF140RC, 1 año para el OF140RM

**Capacidad:** OF140RC - cambiar el cartucho en la clasificación de galón o al menos cada 6 meses.

**Capacidad:** el cartucho OF240-RM no tiene capacidad de eliminación de granos. Sin embargo, otros contaminantes presentes en el agua degradarán la eficacia de este cartucho en forma gradual. Cambiar el cartucho OF140RM al menos una vez por año.



**WATTS<sup>®</sup>**



## Aviso para el instalador

- No desechar este manual después de la instalación. Este manual contiene información importante acerca del funcionamiento, mantenimiento y medidas de precaución. Entregar este manual al usuario, operador o propietario luego de la instalación.
- Se recomienda firmemente leer este manual antes de instalar el sistema para garantizar la mejor instalación posible.
- La instalación debe cumplir con todos los códigos y reglamentos locales y estatales relativos a las cañerías.
- Conectar el sistema únicamente al suministro de agua fría. La temperatura del agua no puede exceder los 100 °F/28 °C.



- El sistema **debe** instalarse en posición vertical, recta y nivelada.
  - Los sistemas OneFlow® **no deben** utilizarse junto con polifosfatos ni con otros inhibidores de sarro.
- No utilizar con agua microbiológicamente insegura o de calidad desconocida sin una desinfección adecuada antes o después del sistema.
- Aviso para el usuario, operador o propietario: Conservar este manual para futuras consultas acerca de piezas, mantenimiento o resolución de problemas.
- Se recomienda que todo el personal responsable por el uso y mantenimiento de este producto lea las secciones de precauciones, funcionamiento y mantenimiento de este manual.



## Precauciones en la instalación

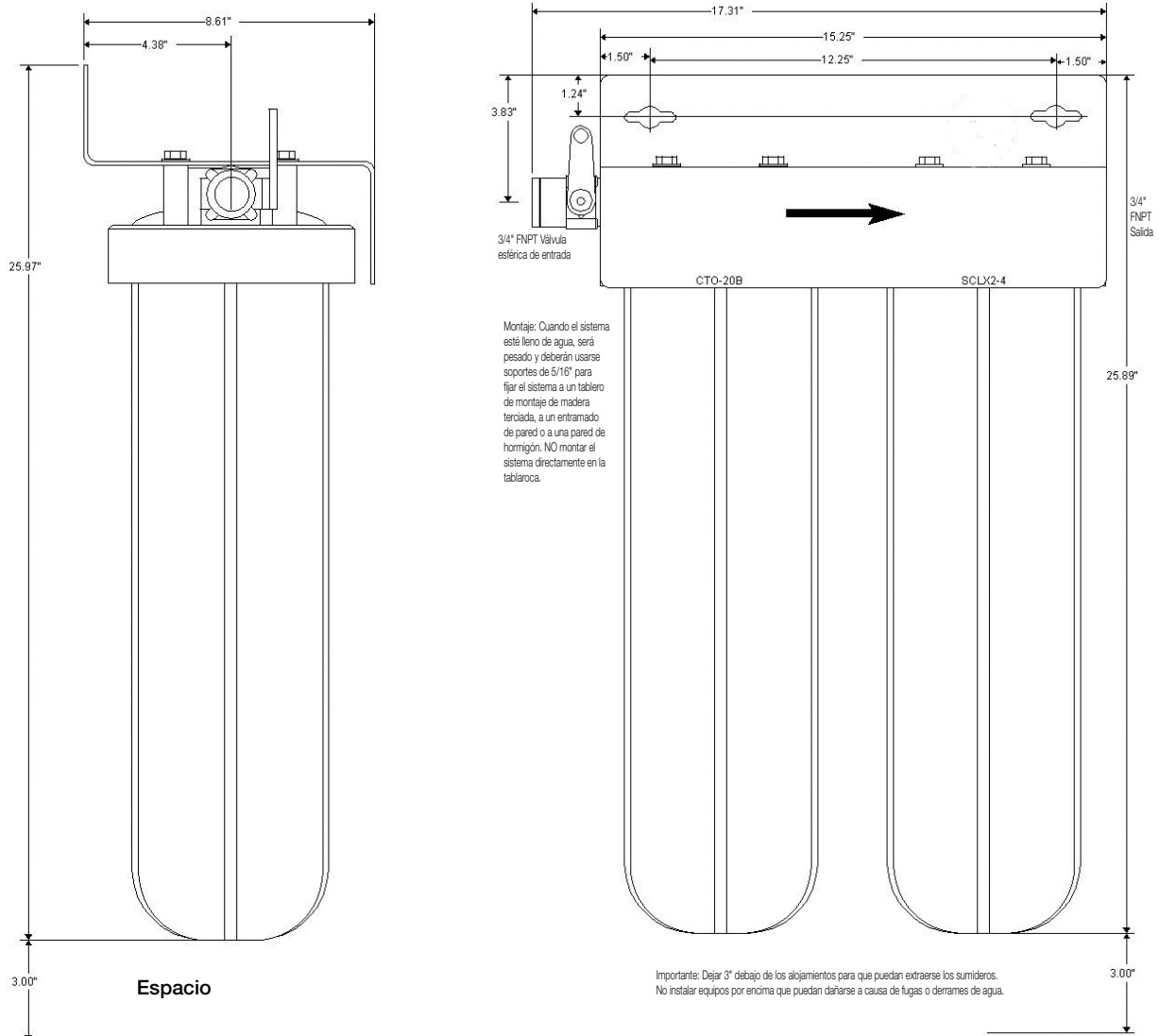
- **NO** instalar el sistema a una presión de línea superior a 125 psi.
- **NO** instalar el sistema en una tubería de agua CALIENTE. Si la temperatura de la tubería no se limita a 100 °F, el alojamiento puede averiarse o dañarse.
- **NO** instalar el sistema al revés con la tubería de agua de suministro conectada a la salida.
- **NO** utilizar compuestos líquidos para cañerías en las conexiones de instalación. UTILIZAR dos a tres vueltas de cinta de Teflon®.
- **NO** soldar conexiones de cañerías conectadas al alojamiento del filtro o a la válvula de entrada. La válvula de entrada y el alojamiento del filtro se dañarán debido a la alta temperatura.
- **NO** permitir que el sistema se congele. Cerrar el suministro de agua al alojamiento y drenar el alojamiento si la temperatura desciende por debajo de 32 °F.
- **NO** instalar el sistema bajo la luz directa del sol o donde quede expuesto a sustancias químicas agresivas o pueda recibir golpes por el movimiento de equipos, carros, mopas o cualquier otro elemento que pueda causar daños.
- **DEJAR** un mínimo de 3" debajo del alojamiento para que se pueda reemplazar el filtro.
- **SI** se observa un golpe de ariete, instalar dispositivos anti-golpe de ariete antes de la unidad OneFlow®.
- **NO** ajustar en exceso las conexiones de instalación en la válvula de entrada o la salida del alojamiento.
- Siempre retroceder las válvulas y accesorios con una llave al instalar un accesorio para evitar girar la válvula.
- **NO** instalar la unidad detrás de equipos de modo que se dificulte el acceso al sistema para el reemplazo del filtro.

Colocar la unidad OneFlow® en un lugar adecuado. La dirección del caudal que pasa por la unidad OneFlow® siempre es de izquierda a derecha. Tener en cuenta este factor al determinar el lugar de instalación. NO montar el sistema OneFlow® cerca de ninguna fuente de calor. Tampoco montar el sistema sobre dispositivos o zonas que puedan sufrir daños por los efectos del agua.

# Instalación

1. Apagar todos los equipos que se abastecerán del sistema OneFlow®, localizar la válvula de corte del suministro de agua y CERRARLA.
2. Determinar si la tubería de agua ya cuenta con un sistema de tratamiento de agua. De ser así, examinar el sistema para determinar si utiliza polifosfato u otros inhibidores de sarro. OneFlow® no funcionará con eficacia si se utiliza junto con otros inhibidores de sarro. Retirar los inhibidores de sarro de la tubería de agua o suspender la instalación.
3. Instalar una válvula esférica de 1/2" para caudal total en el lado de suministro de agua para el sistema de agua.
4. Fijar el sistema OneFlow® a un entramado de pared o a un material de montaje con entramados de pared. El sistema debe estar en posición vertical y recta.
5. Conectar una tubería adecuada desde la válvula esférica de 1/2" para caudal total en la fuente de agua corriente hasta la válvula esférica de entrada del lado izquierdo del sistema OneFlow®. Utilizar 2 a 3 vueltas de cinta de Teflon® y ajustar la válvula esférica de entrada del sistema con una llave al conectar la tubería de agua de suministro. **NOTA: NO AJUSTAR EN EXCESO EL ACCESORIO DE CONEXIÓN EN LA VÁLVULA ESFÉRICA.**
6. Seleccionar la tubería del tamaño adecuado para el equipo al que se dirige el suministro y conectarlo a la salida del sistema OneFlow®. **NOTA: NO** conectar la tubería al equipo aún. Antes de realizar la conexión al equipo, esta tubería se utilizará para ayudar a purgar el sistema. Como pieza opcional, se puede proporcionar para la tubería una válvula de drenaje en una conexión en T en el lado de salida del sistema OneFlow® para poder realizar la purga al cambiar filtros.
7. Con una válvula de entrada del sistema cerrada, abrir lentamente la válvula esférica de 1/2" para caudal total en la fuente de agua corriente. Revisar en busca de fugas.
8. Si no se instaló una válvula de drenaje en el lado de salida del sistema, colocar la tubería que se conectará al equipo en un cubo limpio o sobre el fregadero o desagüe. Abrir la válvula de suministro de entrada del sistema y dejar que el agua circule por el sistema durante 2 minutos a la velocidad de caudal especificada para el sistema para permitir que se eliminen el aire y todas las partículas de carbono. **NOTA: NO SE REQUIERE ACTIVACIÓN PARA QUE EL SISTEMA OneFlow® FUNCIONE CORRECTAMENTE. SE RECOMIENDA PURGAR PARA ELIMINAR EL AIRE DEL SISTEMA Y REMOVER TODA PARTÍCULA DE CARBONO ANTES DE CONECTAR AL EQUIPO.**
9. Asegurarse de que el extremo de la tubería que se va a conectar al equipo esté limpio e higienizado.
10. Conectar la tubería al equipo. Abrir todas las válvulas de suministro de agua y verificar si hay fugas.
11. Si no hay fugas, encender el equipo y verificar si funciona normalmente.
12. Adherir la Hoja de registro de mantenimiento al sistema OneFlow® instalado y completar la fecha de instalación.

## Diagramas y dimensiones de instalación



# Funcionamiento

Si la presión es suficiente, el funcionamiento del sistema OneFlow® es totalmente automático. Para que el funcionamiento sea confiable sólo se requieren controles de la presión de salida, cambios periódicos de los filtros y el registro del mantenimiento.

# Mantenimiento

El mantenimiento rutinario de su sistema OneFlow® implica cambios periódicos de los cartuchos del filtro y/o reemplazo de las juntas tóricas del sumidero. Si se respetan las recomendaciones sobre dimensiones del sistema, el sistema OneFlow® brindará un intervalo de reemplazo de filtro de seis (6) meses en casi todo tipo de agua corriente para el cartucho OF140RC. El cartucho OF140RM OneFlow® debe durar un año.

## Frecuencia de cambio de filtros

Los filtros deben cambiarse como consecuencia de las siguientes condiciones.

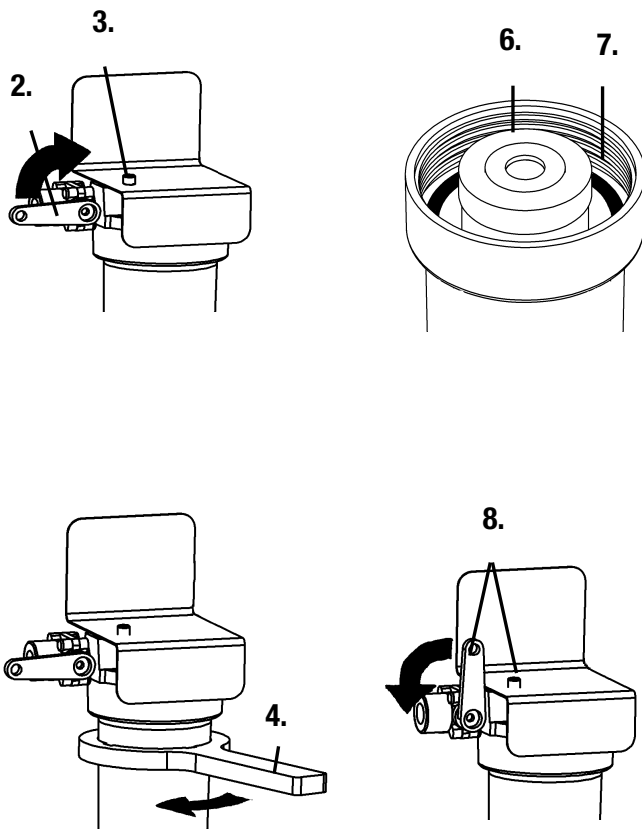
- OF140RC**
  - 6 meses desde la instalación o desde el último cambio de filtro.
  - Caudal de agua reducido.
- OF140RM**
  - 12 meses desde la instalación o desde el último cambio de filtro.

Si la frecuencia de cambio de filtro es menor a 6 meses debido a una reducción de la presión, es posible que sea necesario agregar una pre-filtración adicional o evaluar las recomendaciones de dimensiones del sistema.

## Procedimiento de reemplazo del cartucho del filtro

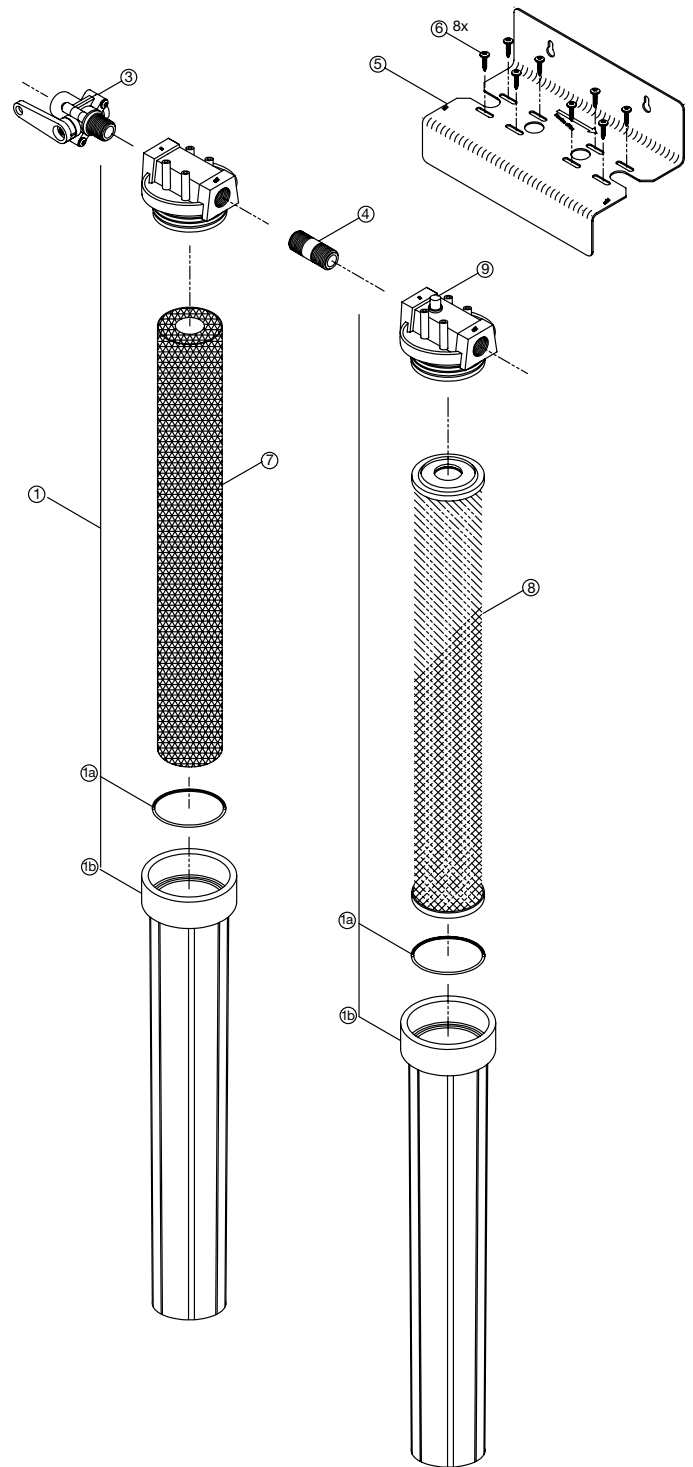
**IMPORTANTE:** Determinar si se deben apagar todos los equipos conectados al sistema OneFlow® antes de cerrar el suministro de agua desde los filtros.

1. De ser necesario, apagar el equipo.
2. CERRAR el agua al sistema OneFlow® cerrando una válvula esférica de entrada.
3. Presionar el botón rojo para aliviar la presión.
4. Extraer el/los alojamiento(s); utilizar la llave para filtros si es necesario.
5. Limpiar el interior de los sumideros de los alojamientos con agua tibia. Si se desea, desinfectar los alojamientos con una cucharadita de lejía de uso doméstico. Añadirla al recipiente del filtro y llenarlo con agua. Dejar reposar por 5 minutos y luego desechar el líquido.
6. Insertar los cartuchos nuevos en los alojamientos del filtro. Hacer coincidir los números de modelo de los cartuchos con los números de modelo en el soporte.
7. Asegurarse de que la junta tórica esté en la posición correcta y reinstalar los alojamientos del filtro (ajustar únicamente a mano). Revisar la junta tórica en busca de daños y reemplazarla si está dañada o deformada.
8. Abrir ligeramente la válvula esférica de entrada. Presionar el botón rojo de alivio de presión para liberar el aire atrapado hasta que salga un poco de agua. Soltar el botón rojo y abrir por completo la válvula esférica.
9. Abrir la válvula de purga en línea descendente desde el alojamiento del filtro (si corresponde) y purgar los cartuchos nuevos al desagüe o a un cubo durante dos (2) minutos o hasta que el agua salga transparente. Si no hay una válvula de purga, desconectar la tubería proveniente del equipo para purgar al desagüe.
10. **MUY IMPORTANTE:** Con la válvula de entrada de suministro de agua ABIERTA y el caudal de agua confirmado, encender el equipo conectado. La falta de suministro de agua al equipo puede ocasionar daños graves.
11. Registrar el cambio de filtro en la hoja de registro de mantenimiento.



**Piezas de repuesto para: OneFlow® OF240-4**

Nº de referencia del diagrama	Descripción
1	Alojamiento
1a	Junta tórica
1b	Sólo el sumidero
3	Válvula, esférica de entrada de 3/4"
4	Boquilla
5	Soporte, PC blanco
6	Tornillo
7	Cartucho de repuesto OF140RC
8	Cartucho de repuesto OF140RM
9	Botón de alivio de presión



## Garantía limitada

- El sistema de depósito OneFlow® está garantizado como libre de defectos en materiales y manufactura por 5 años desde la fecha del envío original.
- El material OneFlow® está garantizado en cuanto a su rendimiento por un período de 2 años desde la fecha de la instalación original en tanto se haya instalado y utilizado de acuerdo a las instrucciones del Manual de instalación y uso correspondiente.

Watts Regulator Company garantiza sus sistemas de cartuchos OneFlow® como se describe a continuación:

- El sistema de cartuchos OneFlow® está garantizado como libre de defectos en materiales y manufactura por 1 año desde la fecha del envío original.
- Los cartuchos OneFlow® están garantizados en cuanto a su rendimiento por un período de un año desde la fecha de la instalación original en tanto se hayan instalado y utilizado de acuerdo a las instrucciones del Manual de instalación y uso correspondiente.
- No se garantiza el funcionamiento de los cartuchos de repuesto para filtros de carbono por ningún período dado que la vida útil de los cartuchos de repuesto para filtros de carbono varía significativamente de acuerdo a las condiciones y el volumen del agua local.

## Condiciones

1. El sistema OneFlow® debe instalarse en aplicaciones con agua suministrada a nivel municipal que cumpla con las normas de la Agencia de Protección Ambiental de Estados Unidos (U.S. Environmental Protection Agency, EPA).
2. Los fallos en los componentes no deben producirse como consecuencia de uso indebido, incendio, congelamiento u otros factores como fuerzas de la naturaleza, actos de violencia o instalación incorrecta.
3. El equipo debe instalarse y utilizarse de conformidad con los códigos locales relativos a las cañerías y con un suministro de agua aprobado.
4. El uso del equipo está limitado a las temperaturas y presiones de agua que no excedan nuestras especificaciones publicadas.
5. El suministro de agua no debe exceder 2 ppm de cloro. En suministros de agua que excedan 2 ppm de cloro, se requiere tratamiento previo. (Contactar al especialista en tratamiento de agua.)
6. Para cualquier reclamo en relación con los equipos en garantía, se debe proporcionar información incluyendo el número de modelo, el número de serie y la fecha de instalación.
7. Las piezas defectuosas están sujetas a inspección por parte de Watts Regulator Company o cualquier representante autorizado antes de que se asuma el compromiso final de ajuste de garantía.
8. Watts Regulator Company se reserva el derecho a realizar cambios o sustituciones en las piezas o el equipo por materiales de valor o calidad equivalente y producción vigente en el momento.

## Limitaciones

Nuestra obligación bajo la presente garantía con respecto al depósito o la válvula está limitada al reemplazo o la reparación, a nuestra elección, de cualquier pieza o piezas a nuestra satisfacción con defectos comprobados dentro del período de garantía antes estipulado. Tales piezas de repuesto serán entregadas al propietario bajo condición Libre a bordo (Free on Board, FOB) en la fábrica más cercana, sin costo alguno, sin incluir gastos de flete y mano de obra local, de corresponder.

Nuestra obligación bajo la presente garantía con respecto al material OneFlow® estará limitada a suministrar repuestos por el material durante dos años desde la fecha de la instalación original. Tales materiales de repuesto serán entregados al propietario bajo condición Libre a bordo (Free on Board, FOB) en la fábrica más cercana, sin costo alguno, sin incluir gastos de flete y mano de obra local, de corresponder. Esta garantía no cubre los materiales dañados a causa del cloro, otros oxidantes o la contaminación por las condiciones del agua local o cualquier otra operación fuera de los límites indicados en la sección Especificaciones.

LA GARANTÍA AQUÍ ESTIPULADA SE OTORGA EN FORMA EXPRESA Y ES LA ÚNICA GARANTÍA OTORGADA POR WATTS REGULATOR COMPANY EN RELACIÓN CON EL PRODUCTO. WATTS REGULATOR COMPANY NO OTORGA NINGUNA OTRA GARANTÍA, YA SEA EXPRESA O IMPLÍCITA. WATTS REGULATOR COMPANY POR LA PRESENTE RENUNCIA ESPECÍFICAMENTE A TODAS LAS DEMÁS GARANTÍAS, EXPRESAS O IMPLÍCITAS, INCLUYENDO SIN LIMITACIÓN, LAS GARANTÍAS IMPLÍCITAS DE APTITUD PARA LA COMERCIALIZACIÓN E IDONEIDAD PARA UN PROPÓSITO EN PARTICULAR.

La reparación descrita en esta garantía constituirá el único y exclusivo resarcimiento por incumplimiento de garantía, y Watts Regulator Company no se hará responsable por daños fortuitos, especiales o derivados, incluyendo sin limitación, los gastos de flete y manipuleo, la pérdida de ganancias o el costo de reparación o reemplazo de otra propiedad que resulte dañada por el mal funcionamiento de este producto, otros costos resultantes por mano de obra, retardos, vandalismo, negligencia, contaminación ocasionada por materiales extraños, daños a causa de condiciones adversas del agua, sustancias químicas o cualquier otra circunstancia sobre la cual Watts Regulator Company no tenga control. Esta garantía no tendrá validez en cualquier caso de abuso, uso indebido, aplicación incorrecta o instalación inadecuada del producto.

Algunos estados no permiten limitaciones en la duración de una garantía implícita y otros estados no permiten la exclusión o limitación de daños fortuitos o derivados. Por lo tanto, es posible que las limitaciones anteriores no sean aplicables en su caso. Esta garantía le otorga derechos legales específicos. Usted podría tener también otros derechos que varían según el Estado en cuestión. Usted debe consultar las leyes estatales aplicables para determinar sus derechos. EN LA MEDIDA EN QUE SEA CONGRUENTE CON LAS LEYES ESTATALES APLICABLES, CUALQUIER GARANTÍA IMPLÍCITA QUE NO SEA RECHAZADA, INCLUYENDO LAS GARANTÍAS IMPLÍCITAS DE APTITUD PARA LA COMERCIALIZACIÓN E IDONEIDAD PARA UN PROPÓSITO EN PARTICULAR, SE LIMITA EN SU DURACIÓN A LOS PERÍODOS DE GARANTÍA APLICABLES ESTIPULADOS PRECEDENTEMENTE.

### ADVERTENCIA DE ACUERDO CON LA PROPOSICIÓN 65 DE CALIFORNIA

**ADVERTENCIA:** Este producto contiene químicos que el Estado de California considera que causan cáncer y defectos de nacimiento u otros daños durante la gestación.

(La ley del Estado de California requiere que se proporcione esta advertencia a los clientes de dicho estado.)

Para más información: [www.watts.com/prop65](http://www.watts.com/prop65)



Una compañía de Watts Water Technologies

EE.UU.: 815 Chestnut St., No. Andover, MA 01845-6098; [www.watts.com](http://www.watts.com)

Canadá: 5435 North Service Rd., Burlington, ONT. L7L 5H7; [www.wattscanada.ca](http://www.wattscanada.ca)

# Manuel d'installation, de fonctionnement et d'entretien

## OneFlow<sup>®</sup> Anti-Scale System

### Modèle OF240-4 Système antitartre OneFlow<sup>®</sup> Prévention contre le tartre sans produit chimique et sans sel

#### Introduction

Le système antitartre OneFlow<sup>®</sup> permet de filtrer et de conditionner l'eau du robinet et d'obtenir des caractéristiques d'eau optimales pour leurs applications spécifiques. Le résultat produit peu d'exigences d'entretien et une durée de vie plus longue de l'équipement, ainsi qu'une qualité et une uniformité améliorées des produits.

Le système OneFlow<sup>®</sup> est construit avec les matériaux les plus avancés et de première qualité. Chaque système est soumis à une inspection de la qualité et à un test de pression avant d'être expédié. Une installation et un entretien de routine adéquats assureront un fonctionnement sans problème pendant plusieurs années.

Consulter ce manuel pour le remplacement de routine du filtre. Les instructions permettent d'effectuer l'entretien périodique facilement et rapidement et garantissent de tirer le meilleur parti des avantages du système.

#### Spécifications du système

**Pression maximale :** 8,6 bar (125 psi)

**Température maximale :** 38 °C (100 °F)

**Min. :** 2 °C (35 °F)

**Raccords d'entrée et de sortie :** 3/4 po FNPT

**Débit d'utilisation :** 4 - 15 L/min (1-4 gpm)

**Gallonage :** OF240-4 : 65 000 gal. pour le modèle OF140RC, 1 an pour le modèle OF140RM

**Capacité :** OF140RC - remplacer la cartouche selon le gallonage ou au moins tous les six mois.

**Capacité :** La cartouche OF240-RM n'offre pas une capacité de retrait des grains. De plus, d'autres contaminants présents dans l'eau réduiront petit à petit l'efficacité de la cartouche. Remplacer la cartouche OF140RM au moins une fois par an.



**WATTS<sup>®</sup>**



## Avis à l'installateur

- Ne pas jeter ce manuel après l'installation. Ce manuel contient des informations importantes concernant le fonctionnement, l'entretien et les précautions à prendre. Merci de présenter ce manuel à l'utilisateur/l'opérateur/le propriétaire après l'installation.
- Il est fortement recommandé de lire ce manuel avant d'installer le système pour garantir la meilleure installation possible.
- L'installation doit être conforme aux normes et codes de plomberie locaux et nationaux.
- Raccorder le système à l'alimentation en eau froide uniquement. La température de l'eau ne doit pas dépasser 38 °C (100 °F).



- Le système **doit être** installé d'aplomb, à la verticale et à niveau.
- Le système OneFlow® **ne doit pas** être utilisé avec du polyphosphate ou tout autre inhibiteur de tartre.
- Ne pas utiliser avec de l'eau présentant des risques microbiologiques ou de qualité inconnue sans l'avoir correctement désinfectée avant ou après son passage dans le système.
- Avis à l'utilisateur/l'opérateur/le propriétaire : Conserver ce manuel pour référence ultérieure concernant les pièces de rechange, l'entretien et le dépannage.
- Il est recommandé que tout le personnel responsable du fonctionnement et de l'entretien de ce produit lise les sections Précautions, Fonctionnement et Entretien de ce manuel.



## Précautions d'installation!

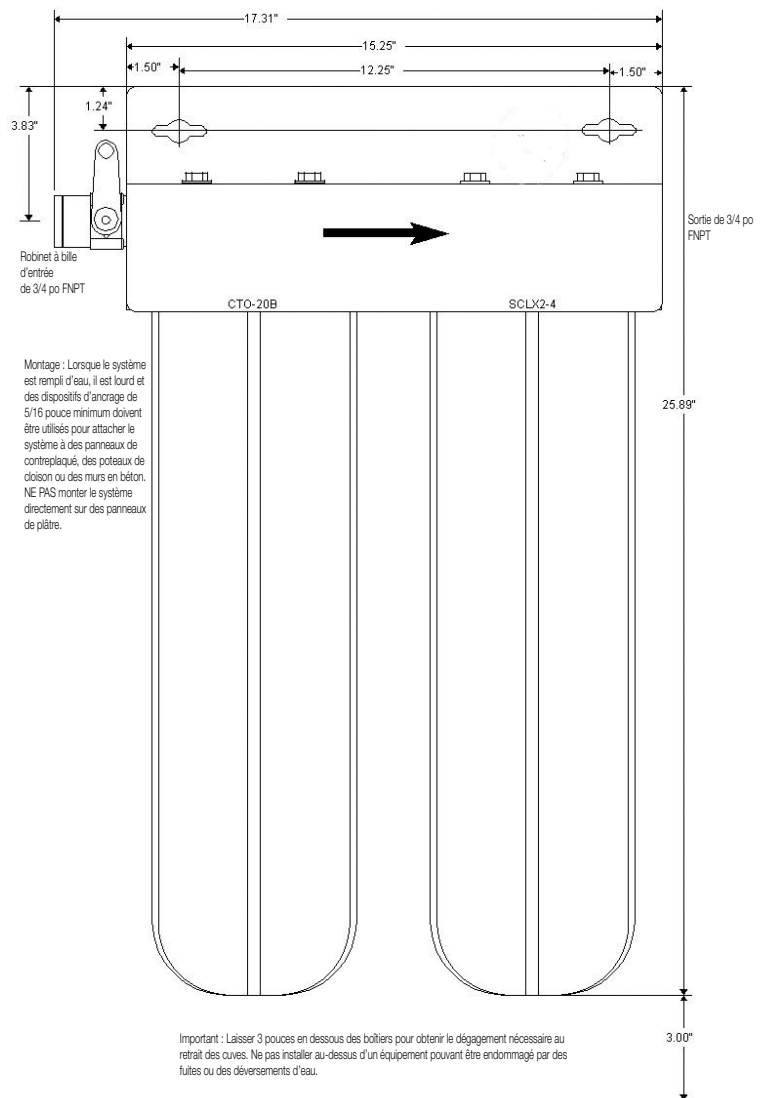
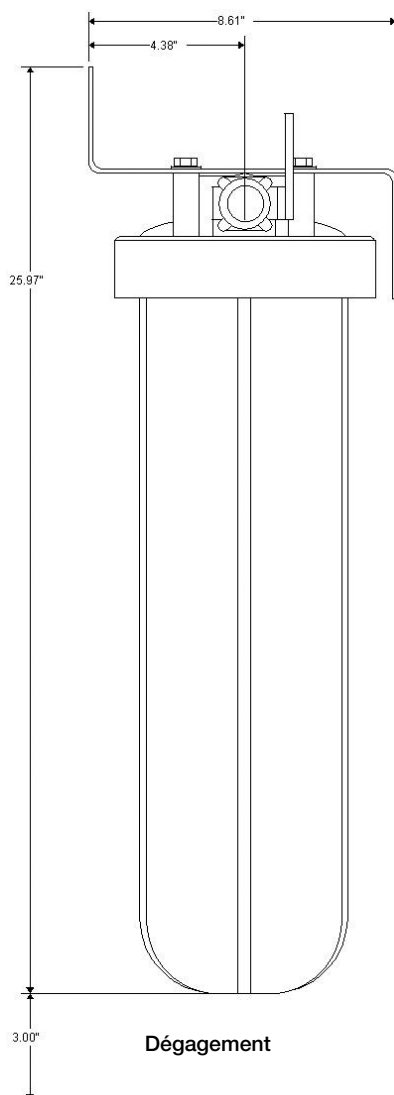
- **NE PAS** installer le système sur une pression de conduite supérieure à 125 psi.
- **NE PAS** installer le système sur une conduite d'eau CHAUDE. Si la température de conduite n'est pas limitée à 38 °C (100 °F), le boîtier peut être endommagé ou connaître des défaillances.
- **NE PAS** installer le système à l'envers avec la conduite d'eau d'alimentation raccordée à la sortie.
- **NE PAS** utiliser de produits pour tuyauterie liquides sur les raccords. UTILISER deux ou trois tours de ruban Teflon®.
- **NE PAS** effectuer le brasage aux raccords de plomberie attachés au boîtier du filtre ou au robinet d'alimentation. Le robinet d'alimentation et le boîtier du filtre seront endommagés par des températures élevées.
- **NE PAS** laisser le système geler. Couper l'alimentation en eau vers le boîtier et la chambre de vidange si la température descend en dessous de 0 °C (32 °F).
- **NE PAS** installer le système directement à la lumière du soleil et ne pas l'exposer à des produits chimiques corrosifs ou à des impacts causés par des équipements mobiles, des chariots, des balais ou tout autre article pouvant provoquer des dommages.
- **LAISSER** au moins 3 pouces sous le boîtier pour permettre le remplacement du filtre.
- **SI** un coup de bélier est évident, installer des antibéliers devant l'unité OneFlow®.
- **NE PAS** trop serrer les raccords du robinet d'alimentation ou de la sortie du boîtier.
- Toujours tenir les robinets et les raccords avec une clé lors de l'installation d'un raccord pour éviter de tourner le robinet.
- **NE PAS** installer l'unité derrière un équipement où il serait difficile d'accéder au système pour le remplacement du filtre.

Placer l'unité OneFlow® dans un endroit adapté. La direction de l'écoulement par l'unité OneFlow® se fait toujours de gauche à droite; garder ceci à l'esprit lors de la sélection de l'emplacement. **NE PAS** monter le système OneFlow® près d'une source de chaleur. De même, ne pas monter le système au-dessus d'un appareil ou d'une zone qui pourrait être endommagé par de l'eau.

# Installation

1. Éteindre tout l'équipement devant être alimenté par le système OneFlow®. Repérer le robinet d'arrêt et le fermer.
2. Déterminer si la conduite d'eau est équipée d'un système de traitement de l'eau. Le cas échéant, examiner le système pour détecter l'utilisation de polyphosphate ou d'inhibiteurs de tartre. Le système OneFlow® ne fonctionnera pas efficacement s'il est utilisé avec d'autres inhibiteurs de tartre. Les retirer de la conduite d'eau ou arrêter l'installation.
3. Installer un robinet à bille à passage intégral d'1/2 pouce sur l'alimentation en eau du système.
4. Ancrer le système OneFlow® sur un poteau de cloison ou un matériau de montage adéquat. Le système doit être à la verticale et d'aplomb.
5. Installer une conduite adaptée entre le robinet à bille à passage intégral d'1/2 pouce au niveau de la source d'eau du robinet et le robinet à bille d'alimentation sur le côté gauche du système OneFlow®. Enrouler 2 à 3 tours de ruban Teflon® et maintenir le robinet à bille d'alimentation du système avec une clé lors du raccordement de la conduite d'eau d'alimentation. **REMARQUE : NE PAS TROP SERRER LE RACCORD DANS LE ROBINET À BILLE.**
6. Sélectionner une tuyauterie de taille appropriée à l'équipement alimenté et le raccorder dans la sortie du système OneFlow®. **REMARQUE : NE PAS** raccorder la tuyauterie à l'équipement à ce stade. Avant d'effectuer un raccordement à l'équipement, cette conduite sera utilisée pour faciliter le rinçage du système. En option, un robinet de vidange dans un té sur le côté sortie du système OneFlow® peut être installé dans la conduite pour faciliter le rinçage lors du remplacement des filtres.
7. Une fois le robinet d'alimentation du système fermé, ouvrir lentement le robinet à bille à passage intégral d'1/2 pouce au niveau de la source d'eau du robinet. Inspecter pour toute fuite éventuelle.
8. Si un robinet de vidange n'a pas été installé sur le côté sortie du système, tenir la tuyauterie qui sera raccordée à l'équipement au-dessus d'un seau propre, d'un évier ou d'une évacuation. Ouvrir le robinet d'alimentation du système et laisser l'eau circuler dans le système pendant 2 minutes au débit spécifié pour permettre aux bulles d'air et aux poussières de charbon de s'échapper. **REMARQUE : AUCUNE ACTIVATION N'EST REQUISE POUR QUE LE SYSTÈME OneFlow® FONCTIONNE CORRECTEMENT. UN RINÇAGE EST RECOMMANDÉ POUR PERMETTRE À L'AIR DE S'ÉCHAPPER DU SYSTÈME ET DE RETIRER LES POUSSIÈRES DE CHARBON AVANT LE RACCORDEMENT À L'ÉQUIPEMENT.**
9. S'assurer que l'extrémité de la tuyauterie à raccorder à l'équipement est propre et sanitaire.
10. Raccorder la tuyauterie à l'équipement. Ouvrir tous les robinets d'alimentation en eau et inspecter pour toute fuite éventuelle.
11. S'il n'y a pas de fuites, mettre l'équipement en marche et vérifier qu'il fonctionne normalement.
12. Attacher le journal d'entretien sur le système OneFlow® installé et y noter la date d'installation.

## Schémas d'installation et dimensions



# Fonctionnement

Avec une pression suffisante, le fonctionnement du système OneFlow® est complètement automatique. Un fonctionnement fiable requiert uniquement une surveillance de la pression de sortie, un remplacement régulier des filtres et l'enregistrement des dates d'entretien.

## Entretien

L'entretien de routine du système OneFlow® implique un remplacement régulier des cartouches de filtre et/ou un remplacement des joints toriques de cuve. Si les recommandations concernant le dimensionnement du système ont été suivies, le système OneFlow® offre un intervalle de remplacement du filtre de six (6) mois pour une utilisation avec la plupart des eaux de robinet avec la cartouche OF140RC. La cartouche OF140RM OneFlow® devrait durer un an.

## Fréquence de remplacement des filtres

Les filtres doivent être remplacés en fonction des conditions suivantes.

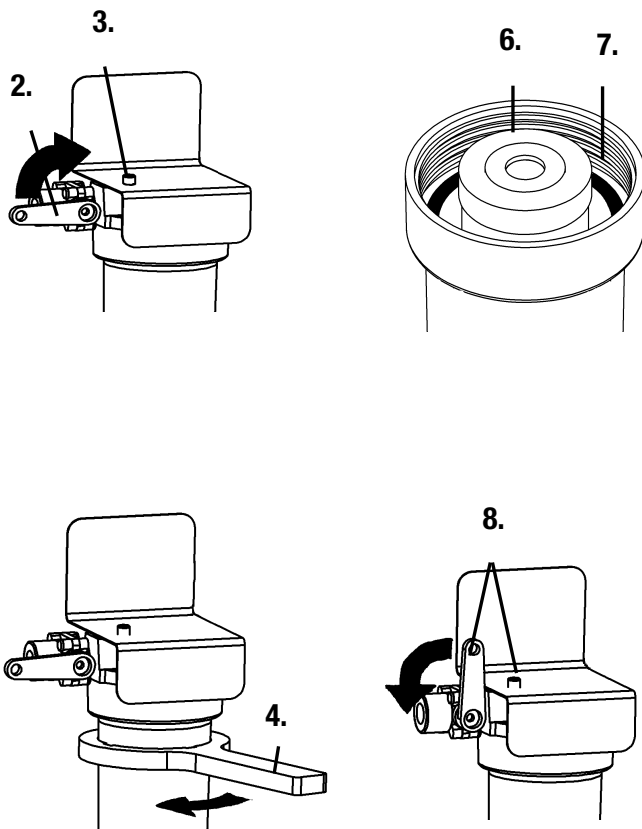
- OF140RC**
  - 6 mois suite à l'installation ou au dernier remplacement du filtre.
  - Débit d'eau réduit.
  
- OF140RM**
  - 12 mois suite à l'installation ou au dernier remplacement du filtre.

Si la fréquence de remplacement du filtre est inférieure à 6 mois en raison des chutes de pression, il peut être nécessaire d'ajouter un système de préfiltration supplémentaire ou d'évaluer les recommandations de dimensionnement du système.

## Procédure de remplacement de la cartouche du filtre

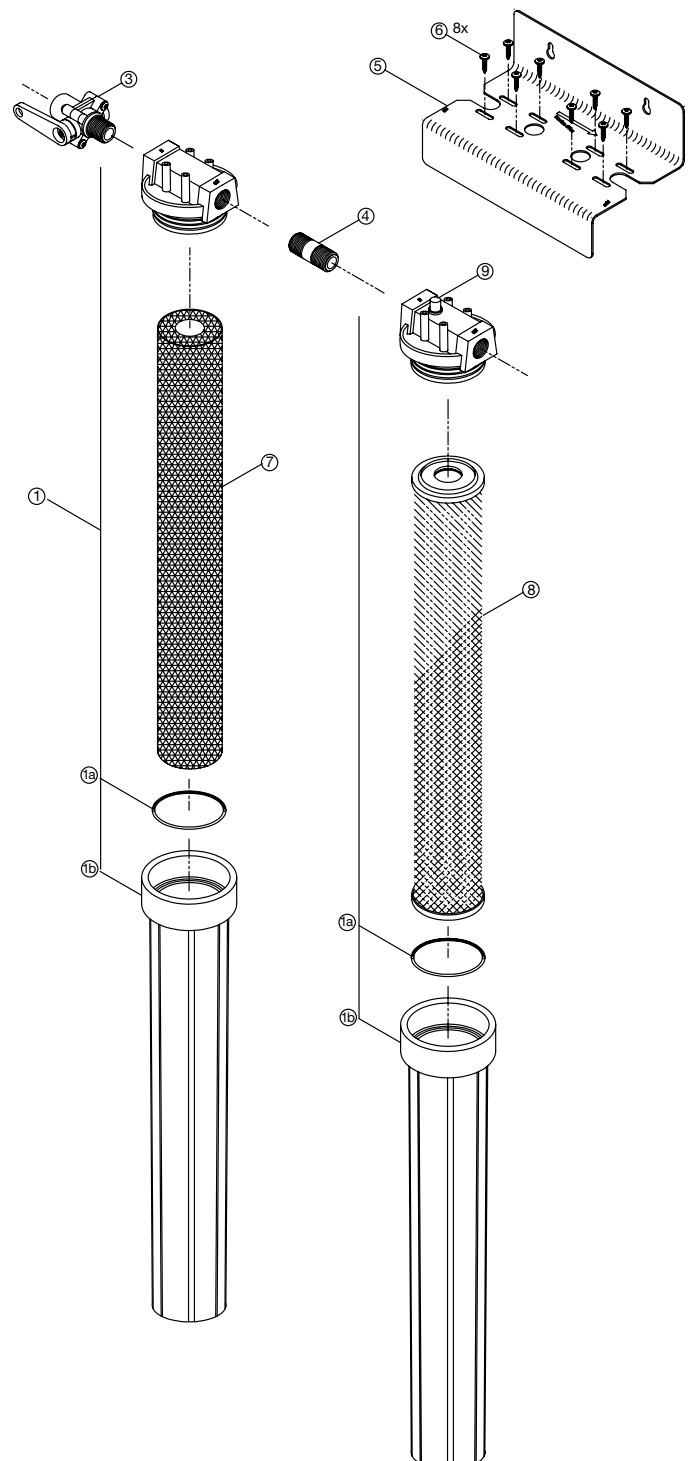
**IMPORTANT :** Vérifier que tout l'équipement raccordé au système OneFlow® est éteint avant de couper l'alimentation en eau des filtres.

1. Si nécessaire, éteindre l'équipement.
2. Couper l'eau vers le système OneFlow® en fermant le robinet à bille d'alimentation.
3. Appuyer sur le bouton rouge pour dissiper la pression.
4. Retirer le(s) boîtier(s) – utiliser une clé à filtre si nécessaire.
5. Nettoyer l'intérieur de la cuve du boîtier avec de l'eau chaude. Le cas échéant, désinfecter le boîtier avec une cuillère à thé d'eau de Javel. Mettre le produit dans la cuvette du filtre et remplir d'eau. Laisser reposer 5 minutes et vider.
6. Insérer des cartouches neuves dans les logements de filtre. Faire correspondre les numéros de modèle des cartouches avec les numéros de modèle indiqués sur le support.
7. S'assurer que le joint torique est bien placé et réinstaller les logements de filtre (serrer à la main uniquement). Vérifier que le joint torique n'est pas endommagé et le remplacer s'il est endommagé ou déformé.
8. Ouvrir légèrement le robinet à bille d'alimentation; pousser sur le bouton rouge de dissipation de la pression pour dissiper l'air emprisonné jusqu'à ce qu'un peu d'eau s'écoule, puis relâcher le bouton rouge et ouvrir complètement le robinet à bille.
9. Ouvrir le robinet de rinçage en aval du logement du filtre (si présent) et rincer les cartouches neuves au-dessus d'une évacuation ou d'un seau pendant deux (2) minutes ou jusqu'à ce que l'eau qui s'écoule soit propre. S'il n'y a pas de robinet de rinçage, débrancher la conduite de l'équipement pour effectuer le rinçage.
10. **TRÈS IMPORTANT :** Avec le robinet d'alimentation en eau OUVERT et le débit d'eau confirmé, mettre l'équipement raccordé en marche. Si l'équipement n'est pas alimenté en eau, des graves dommages peuvent avoir lieu.
11. Noter la date de remplacement du filtre sur le journal d'entretien.



## Pièces de rechange pour : OneFlow® OF240-4

N° de schéma	Description
1	Boîtier
1a	Joint torique
1b	Cuve uniquement
3	Robinet à bille d'alimentation d' $3/4$ po
4	Embout
5	Support blanc en polycarbonate
6	Vis
7	Cartouche de remplacement OF140RC
8	Cartouche de remplacement OF140RM
9	Bouton de dissipation de la pression



## Garantie limitée

- Le système de réservoir OneFlow® est garanti exempt de vices de matériau et de main d'œuvre pour une durée de 5 ans à compter de la date d'expédition d'origine.
- Le média filtrant OneFlow® est garanti pour une période de 2 ans à compter de la date d'installation initiale lorsqu'il est installé et utilisé conformément aux instructions du manuel d'installation et de fonctionnement.

Watts Regulator Company garantit le système de cartouche OneFlow® de la façon suivante :

- Le système de cartouche OneFlow® est garanti exempt de vices de matériau et de main d'œuvre pour une durée d'un an à compter de la date d'expédition d'origine.
- Les cartouches OneFlow® sont garanties pour une période d'un an à compter de la date d'installation initiale lorsqu'elles sont installées et utilisées conformément aux instructions du manuel d'installation et de fonctionnement.
- Les cartouches de filtre au charbon de rechange ne sont pas garanties car la durée de vie des cartouches au charbon varie grandement en fonction des conditions et du volume de l'eau locale.

## Conditions

1. Le système OneFlow® doit être installé dans des applications alimentées par l'eau municipale conformément au règlement de l'EPA.
2. Les défaillances de composant ne doivent pas être causées par un abus, un incendie, le gel ou d'autres phénomènes naturels, des actes de violence ou une installation éronnée.
3. L'équipement doit être installé et utilisé conformément au code de plomberie en vigueur et avec une alimentation en eau approuvée.
4. L'équipement doit être utilisé à des pressions et des températures d'eau ne dépassant les spécifications indiquées.
5. La teneur en chlore de l'eau ne doit pas dépasser 2,0 ppm. Pour une eau présentant une teneur en chlore supérieure à 2,0 ppm, un prétraitement de l'eau est requis. (Merci de contacter le spécialiste de traitement de l'eau.)
6. Les informations, incluant le numéro de modèle, le numéro de série et la date d'installation, doivent être fournies pour toute réclamation dans le cadre de la garantie.
7. Les pièces défectueuses seront soumises à une inspection par Watts Regulator Company ou par un représentant agréé avant que le recours en garantie final ne soit accepté.
8. Watts Regulator Company se réserve le droit de remplacer ou de changer les pièces ou l'équipement par un matériau de qualité et de valeur égales et en cours de production.

## Limitations

Notre obligation dans le cadre de cette garantie et concernant le réservoir ou le robinet est limitée au remplacement ou à la réparation, à notre choix, de toute pièce jugée défectueuse dans la période de garantie indiquée ci-dessus. Ces pièces de rechange seront fournies gratuitement au propriétaire FAB à l'usine la plus proche à l'exception des frais de transport et de main d'œuvre locale, le cas échéant.

Notre obligation dans le cadre de cette garantie par rapport au média filtrant OneFlow® sera limitée à son remplacement dans les deux années suivant la date d'installation d'origine. Le média filtrant de rechange sera fourni gratuitement au propriétaire FAB à l'usine la plus proche à l'exception des frais de transport et de main d'œuvre locale, le cas échéant. Les dommages du média filtrant dus au chlore, aux oxydants et à l'encrassement provoqués par les conditions de l'eau ou une utilisation en dehors des limites spécifiées ne sont pas couverts par cette garantie.

LA PRÉSENTE GARANTIE EST EXPRESSE ET REPRÉSENTE LA SEULE GARANTIE OFFERTE PAR WATTS REGULATOR COMPANY POUR CE PRODUIT. WATTS REGULATOR COMPANY N'OFFRE AUCUNE AUTRE GARANTIE EXPRESSE OU IMPLICITE. PAR LA PRÉSENTE, WATTS REGULATOR COMPANY REJETTE SPÉCIFIQUEMENT TOUTE AUTRE GARANTIE, EXPRESSE OU IMPLICITE, NOTAMMENT TOUTE GARANTIE IMPLICITE DE QUALITÉ MARCHANDE OU D'ADAPTATION À UN BUT PARTICULIER.

Le remède décrit dans cette garantie constitue le seul recours à toute rupture de la présente garantie et Watts Regulator Company ne saurait être tenue responsable de tout dommage spécial, accessoire ou consécutif, y compris, mais non exclusivement : le transport, la manutention, la perte de profits ou le coût afférent à la réparation ou au remplacement d'autres biens qui seraient endommagés par suite du fonctionnement incorrect dudit produit; d'autres coûts afférents aux frais de main-d'œuvre; délais, vandalisme, négligence, encrassement occasionné par la présence de matériau étranger; dommages résultant d'une eau impropre, de produits chimiques ou de tout autre événement sur lequel Watts Regulator Company ne saurait exercer le moindre contrôle. La présente garantie est déclarée nulle et non avenue en cas d'abus, de mésusage, d'application ou d'installation éronnée de ce produit.

Certains États ou certaines Provinces n'autorisent pas la limite de durée d'une garantie implicite ou l'exclusion ou limite de dommages directs ou indirects. C'est pourquoi les limites ou exclusions susmentionnées peuvent ne pas s'appliquer à vous. Cette garantie vous donne des droits légaux précis et il se peut que vous ayez aussi d'autres droits qui varient d'une province, d'un état ou d'une juridiction à l'autre. Veuillez vous référer aux lois d'état ou de province applicables pour déterminer vos droits en la matière. DANS LA MESURE PERMISE PAR LA LOI, TOUTE GARANTIE IMPLICITE NE POUVANT PAS ÊTRE REJETÉE, Y COMPRIS LES GARANTIES IMPLICITES DE QUALITÉ MARCHANDE ET D'ADAPTATION À UN BUT PARTICULIER, SONT LIMITÉES AUX DURÉES DE GARANTIE APPLICABLES INDIQUÉES CI-DESSUS.

### AVERTISSEMENT SUR LA PROPOSITION 65 DE LA CALIFORNIE

**AVERTISSEMENT:** Ce produit contient des produits chimiques reconnus par l'état de Californie comme étant cancérogènes et pouvant causer des malformations congénitales et d'autres dommages au système reproducteur. (La loi californienne exige que cet avertissement soit fourni à tous les clients de l'état de la Californie.)  
Pour obtenir plus d'informations: [www.watts.com/prop65](http://www.watts.com/prop65)





*Une entreprise de Watts Water Technologies*

IOM-OF240-2 1017



**États-Unis :** 815 Chestnut St., No. Andover, MA 01845-6098; [www.watts.com](http://www.watts.com)  
**Canada :** 5435 North Service Rd., Burlington, ONT. L7L 5H7; [www.wattscanada.ca](http://www.wattscanada.ca)

Réf. EDP 1915999

© 2010 Watts