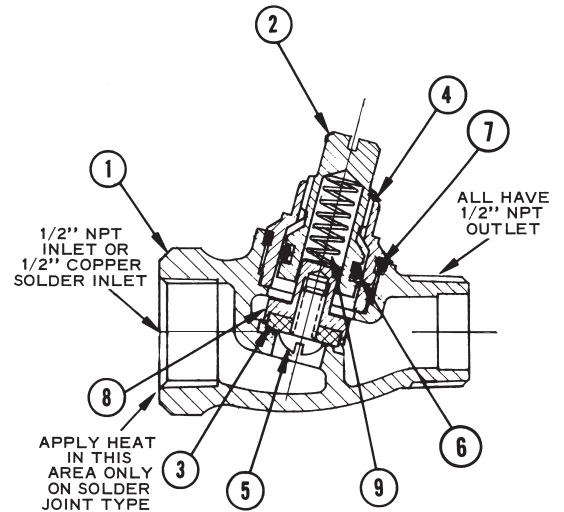
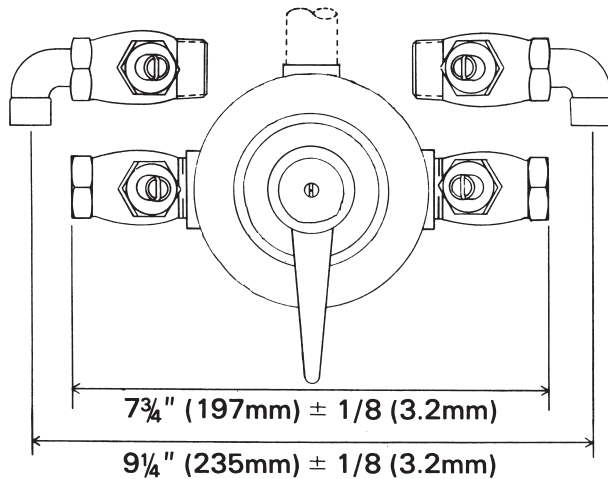


Technical Instructions

Installation ■

1. Connect the stop valves to the mixing valve with a 1-1/16" (27mm) wrench. Be sure the adjustment screw (2) is accessible.
2. Before inspecting or replacing the disc (3), or seal rings (6), and (7), the water supplies must be shutoff at some other point. Remove the bonnet (4) with a 15/16" (23.8mm) hex wrench.
3. The bonnet seal ring (7) and the disc (3) can be inspected or replaced. The disc retaining screw (5) must be removed before replacing the disc (3).
4. To inspect or replace the adjustment screw ring (6), unscrew the adjustment screw (2) from the bottom of the bonnet (4).

SERIES 2000, 410, AND 420



Part numbers shown below are for a pair of checkstops:

- 1/2" NPT screwed inlet straight:
 Rough Bronze P/N 141-176
 Polished Chrome Plate P/N 141-177
- 1/2" Copper solder inlet straight:
 Rough Bronze P/N 141-187
- 1/2" Copper solder inlet angle:
 Rough Bronze P/N 141-326

Replacement Parts Kit ■

Item	Part Description	141-176	141-177	141-187	141-326
1	Body	N/A	N/A	N/A	N/A
2, 3, 4, 5, 6, 7, 8, 9	Stem, Bonnet and Internal Kits	141 000	141 000A	141 000	141 000

CALIFORNIA PROPOSITION 65 WARNING

WARNING: This product contains chemicals known to the State of California to cause cancer and birth defects or other reproductive harm. (California law requires this warning to be given to customers in the State of California.)

For more information: www.watts.com/prop65

Warranty ■

The Seller warrants that the equipment manufactured by it and covered by this order or contract is free from defects in material and workmanship and, without charge, equipment found to be defective in material or workmanship will be repaired, or at Seller's option replaced F.O.B. original point of shipment, if written notice of failure is received by Seller within one (1) year after date of shipment (unless specifically noted elsewhere), provided said equipment has been properly installed, operated in accordance with the Seller's instructions, and provided such defects are not due to abuse or decomposition by chemical or galvanic action. THIS EXPRESS WARRANTY IS IN LIEU OF AND EXCLUDES ALL OTHER WARRANTIES, GUARANTEES, OR REPRESENTATIONS, EXPRESS OR IMPLIED. THERE ARE NO IMPLIED WARRANTIES OF MERCHANTABILITY OR OF FITNESS FOR A PARTICULAR PURPOSE. The Seller assumes no responsibility for repairs made on the Seller's equipment unless done by the Seller's authorized personnel, or by written authority from the Seller. The Seller makes no guarantee with respect to material not manufactured by it.

