

Proline



Commercial Drainage Products Catalog & Price List

Effective April 2, 2012

watts.com

WATTS[®]

Index

Floor Drains

FD4	Snap-In Stainless Steel Grate	.3
FD5	General Purpose Floor Drain	.3
FD6	Heavy Duty Cast Iron Floor Drain	.3
FD7-R	PVC/ABS Adjustable Floor Drain w/Round Strainer	.4
FD7-SQ	PVC/ABS Adjustable Floor Drain w/Square Strainer	.5
FD9	Drain for Wooden Floors	.6
FD10	Adjustable Drain for Wooden Floors	.6
FD11	Floor Drain w/Hub Funnel	.7
FD12-R	On-Grade PVC/ABS Adjustable Floor Drain w/Round Strainer	.8
FD12-SQ	On-Grade PVC/ABS Adjustable Floor Drain w/Square Strainer	.9
FD15-R	Cast Iron Adjustable Floor Drain w/Round Strainer	.10
FD15-SQ	Cast Iron Adjustable Floor Drain w/Square Strainer	.11
FD20-R	On-Grade Cast Iron Adjustable Floor Drain w/Round Strainer	.12
FD20-SQ	On-Grade Cast Iron Adjustable Floor Drain w/Square Strainer	.13
FD30	Area Drain w/6 ¹ / ₂ " Adjustable Top	.14
FD31	Area Drain w/6 ¹ / ₂ " Fixed Top	.15
FD32	Area Drain w/8" Adjustable Top	.16
FD33	Area Drain w/8" Fixed Top	.17
FD34	Area Drain w/12" Round Top	.18
FD46	Area Drain w/12" Square Top	.19
FD66	PVC or ABS Drain w/7" Fixed Top	.20
FD67	PVC or ABS Drain w/10" Fixed Top	.20

Floor Sinks

FS55	Porcelain Enameled Cast Iron Floor Sink	.21
FS56	PVC Floor Sink	.21

Roof Drains

RD1	10" Dia. Roof Drain	.22
RD10	12" Dia. Roof Drain	.23
RD25	Roof Drain/Overflow Combination	.24
RD28	Cast Iron Flanged Roof Drain	.24

Interceptors

G	Floor Mounted Grease Interceptor	.25
GP	PDI Certified Grease Interceptor	.26
GL	Low-Rough-In Grease Interceptor	.27
GX	Large Capacity Grease Interceptor	.28
SI-74	Sediment Interceptor	.29
SI-75	Hair Interceptor	.29

Cleanouts

CO5	General Purpose Floor Cleanout	.30
CO6	Heavy Duty Cast Iron Floor Cleanout	.30
CO12	PVC/ABS Adjustable Floor Cleanout w/Round Top	.31
CO12-SQ	PVC/ABS Adjustable Floor Cleanout w/Square Top	.32
CO20	Cast Iron Adjustable Floor Cleanout w/Round Top	.33
CO20-SQ	Cast Iron Adjustable Floor Cleanout w/Square Top	.34
CO26	8" Dia. Adjustable Floor Cleanout	.35
CO38	Cleanout Ferrule	.36
CO41	Floor Access Housing	.36
CO44	Poly Wall Cleanout w/SS Cover	.37
CO48	SS Access Cover w/Screw	.37
CO58	Threaded Brass Plug	.38
CO59	Brass Wall Cleanout w/SS Cover	.38

Hydrants

HY1	Non-Freeze Wall Hydrant	.39
HY2	Concealed Non-Freeze Wall Hydrant	.40
HY4	Moderate Climate Wall Hydrant	.40
HY5	Concealed Moderate Climate Wall Hydrant	.41
HY8	Dual-Temp Wall Hydrant	.41

Shower Drains

SD	Shower Floor Drain	.42
SDCP/SDNB/ SDPB	Heavy Duty Shower Floor Drain	.42

Specialties

BV	Internal Backwater Valve	.43
PS	Plastic Pipe Sleeve	.43
TSP	Trap Seal Primer	.44
WHA	Water Hammer Arrestor	.44

Terms & Conditions

FREIGHT TERMS:

All shipments are F.O.B. shipping point. Shipments from the factory of less than \$2000.00 net are F.O.B. factory. Factory shipments over \$2000.00 net will be prepaid and allowed within the continental United States when made at the lowest motor carrier transportation rate.

TERMS OF SALE:

All sales are F.O.B. shipping point.

PAYMENT TERMS:

Invoices are due and payable 30 days from the date of invoice. A 2% cash discount is allowed on net amount of invoice if paid on or before the 10th of the following month. Invoices dated on or after the 25th will be considered as dated the first of the next month.

STOCKING WHOLESALE MINIMUM CHARGE:

A minimum billing charge of \$75.00 applies to shipments F.O.B. factory. Stocking Wholesaler Customers are encouraged to order sufficient material to avoid this charge which is necessitated by increased costs of processing small orders.

SPECIAL PRODUCTS:

Orders for special or modified products are non-cancelable and non-returnable.

LIMITED WARRANTY:

Watts Regulator Co. (the "Company") warrants each product to be free from defects in material and workmanship under normal usage for a period of one year from the date of original shipment. In the event of such defects within the warranty period, the Company will, at its option, replace or recondition the product without charge.

THE WARRANTY SET FORTH HEREIN IS GIVEN EXPRESSLY AND IS THE ONLY WARRANTY GIVEN BY THE COMPANY WITH RESPECT TO THE PRODUCT. THE COMPANY MAKES NO OTHER WARRANTIES, EXPRESS OR IMPLIED. THE COMPANY HEREBY SPECIFICALLY DISCLAIMS ALL OTHER WARRANTIES, EXPRESS OR IMPLIED, INCLUDING BUT NOT LIMITED TO THE IMPLIED WARRANTIES OF MERCHANTABILITY AND FITNESS FOR A PARTICULAR PURPOSE.

The remedy described in the first paragraph of this warranty shall constitute the sole and exclusive remedy for breach of warranty, and the Company shall not be responsible for any incidental, special or consequential damages, including without limitation, lost profits or the cost of repairing or replacing other property which is damaged if this product does not work properly, other costs resulting from labor charges, delays, vandalism, negligence, fouling caused by foreign material, damage from adverse water conditions, chemical, or any other circumstances over which the Company has no control. This warranty shall be invalidated by any abuse, misuse, misapplication, improper installation or improper maintenance or alteration of the product.

Some States do not allow limitations on how long an implied warranty lasts, and some States do not allow the exclusion or limitation of incidental or consequential damages. Therefore the above limitations may not apply to you. This Limited Warranty gives you specific legal rights, and you may have other rights that vary from State to State. You should consult applicable state laws to determine your rights. **SO FAR AS IS CONSISTENT WITH APPLICABLE STATE LAW, ANY IMPLIED WARRANTIES THAT MAY NOT BE DISCLAIMED, INCLUDING THE IMPLIED WARRANTIES OF MERCHANTABILITY AND FITNESS FOR A PARTICULAR PURPOSE, ARE LIMITED IN DURATION TO ONE YEAR FROM THE DATE OF ORIGINAL SHIPMENT.**

RETURNED GOODS RESTOCKING CHARGE:

No material shall be returned without authorization. When credit is issued it will be at the price charged, or prevailing price if lower, less handling charges based on costs of reconditioning, boxing, etc. However, a minimum 25% handling charge will apply. A minimum handling charge of \$35.00 is applied whenever the 25% handling deduction does not total \$35.00. Products which are obsolete or made to special order are not returnable.

NOTE:

Prices and terms are subject to change without notice and supersede all previous quotations. The right is reserved to change or modify product design or construction without prior notice and without incurring any obligation to make such changes and modifications on products previously or subsequently sold. All dimensions shown in this catalog are subject to manufacturing tolerances.

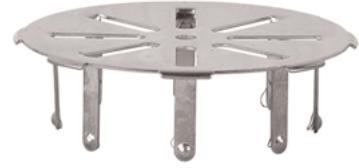
Watts reserves the right to modify or change product design or construction without prior notice and without incurring any obligation to make similar changes and modifications to products previously or subsequently sold.

See your Watts representative for any clarification.

Floor Drains

FD4 Snap-In Stainless Steel Grate

Snap-in stainless steel floor drain grate.



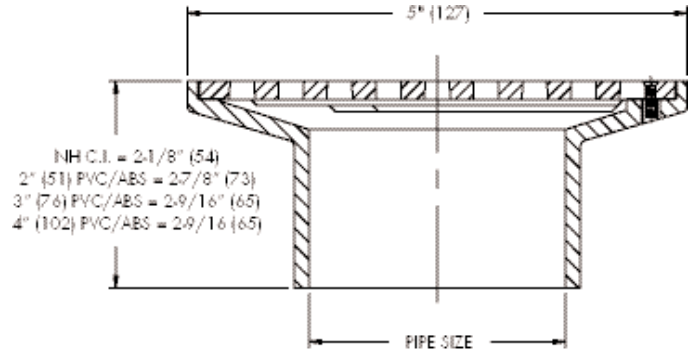
Model	Pipe Size	List
FD4-2	2"	\$10.00
FD4-3	3"	12.00
FD4-4	4"	17.00

FD5 General Purpose Floor Drain

PVC, ABS, or cast iron general purpose floor drain with secured ductile iron or nickel bronze grate.



Model	Size	Grate	List
FD5-2PVC	2" PVC	5" Round DI	\$20.00
FD5-2PVC-NB	2" PVC	5" Round NB	42.00
FD5-2ABS	2" ABS	5" Round DI	20.00
FD5-2ABS-NB	2" ABS	5" Round NB	42.00
FD5-2NH	2" No Hub	5" Round DI	20.00
FD5-2NH-NB	2" No Hub	5" Round NB	42.00
FD5-3PVC	3" PVC	5" Round DI	21.00
FD5-3PVC-NB	3" PVC	5" Round NB	43.00
FD5-3ABS	3" ABS	5" Round DI	21.00
FD5-3ABS-NB	3" ABS	5" Round NB	43.00
FD5-3NH	3" No Hub	5" Round DI	21.00
FD5-3NH-NB	3" No Hub	5" Round NB	43.00
FD5-4PVC	4" PVC	5" Round DI	24.00
FD5-4PVC-NB	4" PVC	5" Round NB	46.00
FD5-4ABS	4" ABS	5" Round DI	24.00
FD5-4ABS-NB	4" ABS	5" Round NB	46.00
FD5-4NH	4" No Hub	5" Round DI	24.00
FD5-4NH-NB	4" No Hub	5" Round NB	46.00



Options

-VP	Vandal Proof Screws	\$6.00
-----	---------------------	--------

FD6 Heavy Duty Cast Iron Floor Drain

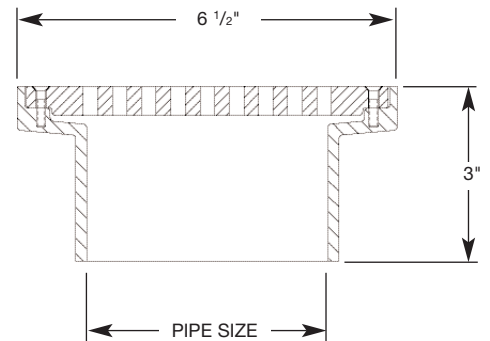
Cast iron heavy duty floor drain with secured grate.



Model	Pipe Size	List
FD6-2NH	2" No Hub	\$27.00
FD6-3NH	3" No Hub	27.00
FD6-4NH	4" No Hub	27.00

Options

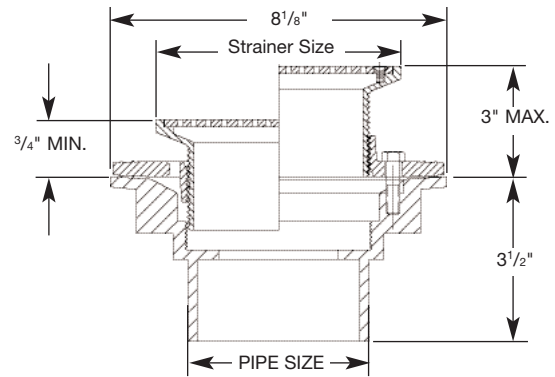
-VP	Vandal Proof Screws	\$6.00
-----	---------------------	--------



Floor Drains

FD7-R PVC/ABS Adjustable Floor Drain w/Round Strainer

PVC or ABS floor drain with reversible clamping collar, and adjustable round nickel bronze, ductile iron, PVC, or stainless steel strainer.



Model	Pipe Size	Strainer	List
FD7-5R-2PVC	2" PVC	5" Round NB	\$83.00
FD7-5RDI-2PVC	2" PVC	5" Round DI	64.00
FD7-5RSS-2PVC	2" PVC	5" Round SS	110.00
FD7-6R-2PVC	2" PVC	6" Round NB	105.00
FD7-6RP-2PVC	2" PVC	6" Round PVC	66.00
FD7-6RSS-2PVC	2" PVC	6" Round SS	132.00
FD7-5R-2ABS	2" ABS	5" Round NB	83.00
FD7-5RDI-2ABS	2" ABS	5" Round DI	64.00
FD7-5RSS-2ABS	2" ABS	5" Round SS	110.00
FD7-6R-2ABS	2" ABS	6" Round NB	105.00
FD7-6RP-2ABS	2" ABS	6" Round PVC	66.00
FD7-6RSS-2ABS	2" ABS	6" Round SS	132.00
FD7-5R-3PVC	3" PVC	5" Round NB	83.00
FD7-5RDI-3PVC	3" PVC	5" Round DI	64.00
FD7-5RSS-3PVC	3" PVC	5" Round SS	110.00
FD7-6R-3PVC	3" PVC	6" Round NB	105.00
FD7-6RP-3PVC	3" PVC	6" Round PVC	66.00
FD7-6RSS-3PVC	3" PVC	6" Round SS	132.00
FD7-5R-3ABS	3" ABS	5" Round NB	83.00
FD7-5RDI-3ABS	3" ABS	5" Round DI	64.00
FD7-5RSS-3ABS	3" ABS	5" Round SS	110.00
FD7-6R-3ABS	3" ABS	6" Round NB	105.00
FD7-6RP-3ABS	3" ABS	6" Round PVC	66.00
FD7-6RSS-3ABS	3" ABS	6" Round SS	132.00
FD7-5R-4PVC	4" PVC	5" Round NB	83.00
FD7-5RDI-4PVC	4" PVC	5" Round DI	64.00
FD7-5RSS-4PVC	4" PVC	5" Round SS	110.00
FD7-6R-4PVC	4" PVC	6" Round NB	105.00
FD7-6RP-4PVC	4" PVC	6" Round PVC	66.00
FD7-6RSS-4PVC	4" PVC	6" Round SS	132.00
FD7-5R-4ABS	4" ABS	5" Round NB	83.00
FD7-5RDI-4ABS	4" ABS	5" Round DI	64.00
FD7-5RSS-4ABS	4" ABS	5" Round SS	110.00
FD7-6R-4ABS	4" ABS	6" Round NB	105.00
FD7-6RP-4ABS	4" ABS	6" Round PVC	66.00
FD7-6RSS-4ABS	4" ABS	6" Round SS	132.00

Options

-B	Sediment Bucket	\$20.00
-BV	Backwater Valve	42.00
-E	Strainer Extension	35.00
-G	CI Round Funnel	33.00
-GNB	NB Round Funnel	68.00
-H	CI Oval Funnel	47.00
-HNB	NB Oval Funnel	93.00
-TPT	Trap Primer Tapping	No Add
-VP	Vandal Proof Screws	6.00

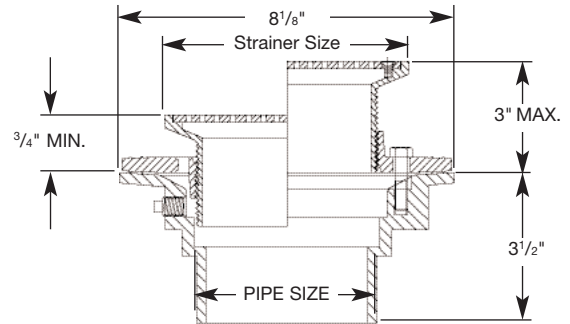
Floor Drains

FD7-SQ PVC/ABS Adjustable Floor Drain w/Square Strainer

PVC or ABS floor drain with reversible clamping collar, and adjustable square nickel bronze, ductile iron, or stainless steel strainer.



Model	Pipe Size	Strainer	List
FD7-5SQ-2PVC	2" PVC	5" Square NB	\$97.00
FD7-5SQDI-2PVC	2" PVC	5" Square DI	78.00
FD7-5SQSS-2PVC	2" PVC	5" Square SS	124.00
FD7-6SQ-2PVC	2" PVC	6" Square NB	118.00
FD7-6SQSS-2PVC	2" PVC	6" Square SS	145.00
FD7-5SQ-2ABS	2" ABS	5" Square NB	97.00
FD7-5SQDI-2ABS	2" ABS	5" Square DI	78.00
FD7-5SQSS-2ABS	2" ABS	5" Square SS	124.00
FD7-6SQ-2ABS	2" ABS	6" Square NB	118.00
FD7-6SQSS-2ABS	2" ABS	6" Square SS	145.00
FD7-5SQ-3PVC	3" PVC	5" Square NB	97.00
FD7-5SQDI-3PVC	3" PVC	5" Square DI	78.00
FD7-5SQSS-3PVC	3" PVC	5" Square SS	124.00
FD7-6SQ-3PVC	3" PVC	6" Square NB	118.00
FD7-6SQSS-3PVC	3" PVC	6" Square SS	145.00
FD7-5SQ-3ABS	3" ABS	5" Square NB	97.00
FD7-5SQDI-3ABS	3" ABS	5" Square DI	78.00
FD7-5SQSS-3ABS	3" ABS	5" Square SS	124.00
FD7-6SQ-3ABS	3" ABS	6" Square NB	118.00
FD7-6SQSS-3ABS	3" ABS	6" Square SS	145.00
FD7-5SQ-4PVC	4" PVC	5" Square NB	97.00
FD7-5SQDI-4PVC	4" PVC	5" Square DI	78.00
FD7-5SQSS-4PVC	4" PVC	5" Square SS	124.00
FD7-6SQ-4PVC	4" PVC	6" Square NB	118.00
FD7-6SQSS-4PVC	4" PVC	6" Square SS	145.00
FD7-5SQ-4ABS	4" ABS	5" Square NB	97.00
FD7-5SQDI-4ABS	4" ABS	5" Square DI	78.00
FD7-5SQSS-4ABS	4" ABS	5" Square SS	124.00
FD7-6SQ-4ABS	4" ABS	6" Square NB	118.00
FD7-6SQSS-4ABS	4" ABS	6" Square SS	145.00



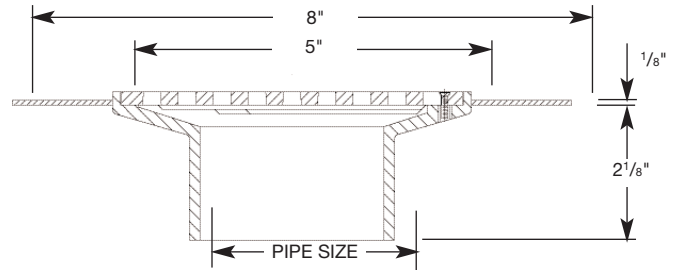
Options

-B	Sediment Bucket	\$20.00
-BV	Backwater Valve	42.00
-E	Strainer Extension	35.00
-G	CI Round Funnel	33.00
-GNB	NB Round Funnel	68.00
-H	CI Oval Funnel	47.00
-HNB	NB Oval Funnel	93.00
-TPT	Trap Primer Tapping	No Add
-VP	Vandal Proof Screws	6.00

Floor Drains

FD9 Drain for Wooden Floors

PVC or ABS drain for wooden floors with nickel bronze strainer and countersunk steel mounting flange.



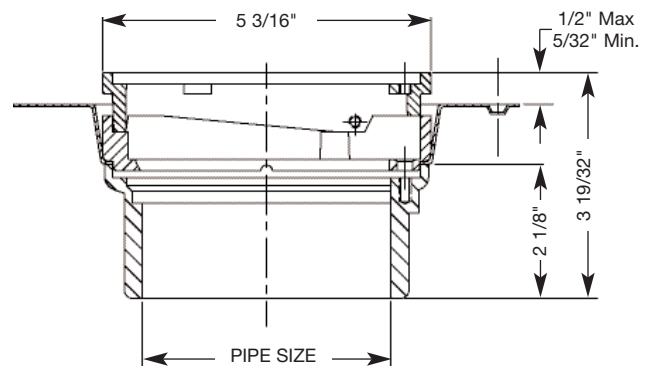
Model	Pipe Size	Top	List
FD9-2PVC	2" PVC	5" Round NB	\$132.00
FD9-2ABS	2" ABS	5" Round NB	132.00
FD9-3PVC	3" PVC	5" Round NB	132.00
FD9-3ABS	3" ABS	5" Round NB	132.00
FD9-4PVC	4" PVC	5" Round NB	132.00
FD9-4ABS	4" ABS	5" Round NB	132.00

Options

-B	Sediment Bucket	\$20.00
-G	CI Round Funnel	42.00
-GNB	NB Round Funnel	68.00
-H	CI Oval Funnel	47.00
-HNB	NB Oval Funnel	93.00
-VP	Vandal Proof Screws	6.00

FD10 Adjustable Drain for Wooden Floors

PVC or ABS drain for wooden floors with adjustable nickel bronze strainer and countersunk steel mounting flange.



Model	Pipe Size	Top	List
FD10-2PVC	2" PVC	5" Round NB	\$176.00
FD10-2ABS	2" ABS	5" Round NB	176.00
FD10-3PVC	3" PVC	5" Round NB	176.00
FD10-3ABS	3" ABS	5" Round NB	176.00
FD10-4PVC	4" PVC	5" Round NB	176.00
FD10-4ABS	4" ABS	5" Round NB	176.00

Options

-B	Sediment Bucket	\$20.00
-G	4" Round CI Funnel	42.00
-GNB	4" Round NB Funnel	68.00
-H	4x9" Oval CI Funnel	47.00
-HNB	4x9" Oval NB Funnel	93.00
-VP	Vandal Proof Screws	6.00

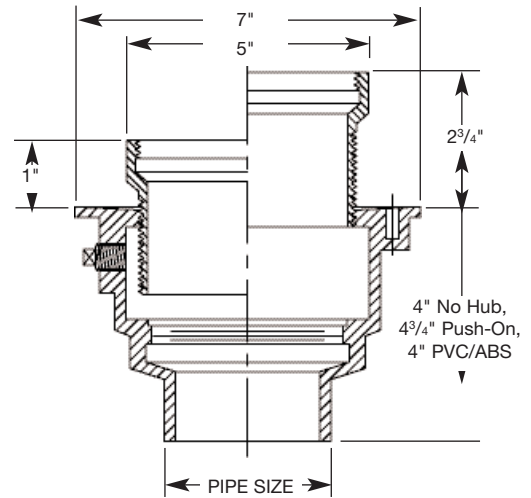
Floor Drains

FD11 Floor Drain w/Hub Funnel

PVC, ABS, or cast iron floor drain with adjustable nickel bronze or cast iron hub funnel.



Model	Pipe Size	Funnel	List
FD11-2PVC	2" PVC	5" Round Cast Iron	\$59.00
FD11-2PVC-NB	2" PVC	5" Round NB	85.00
FD11-2ABS	2" ABS	5" Round Cast Iron	59.00
FD11-2ABS-NB	2" ABS	5" Round NB	85.00
FD11-2NH	2" No Hub	5" Round Cast Iron	59.00
FD11-2NH-NB	2" No Hub	5" Round NB	85.00
FD11-2PT	2" Push-On	5" Round Cast Iron	59.00
FD11-2PT-NB	2" Push-On	5" Round NB	85.00
FD11-3PVC	3" PVC	5" Round Cast Iron	59.00
FD11-3PVC-NB	3" PVC	5" Round NB	85.00
FD11-3ABS	3" ABS	5" Round Cast Iron	59.00
FD11-3ABS-NB	3" ABS	5" Round NB	85.00
FD11-3NH	3" No Hub	5" Round Cast Iron	59.00
FD11-3NH-NB	3" No Hub	5" Round NB	85.00
FD11-3PT	3" Push-On	5" Round Cast Iron	59.00
FD11-3PT-NB	3" Push-On	5" Round NB	85.00
FD11-4PVC	4" PVC	5" Round Cast Iron	59.00
FD11-4PVC-NB	4" PVC	5" Round NB	85.00
FD11-4ABS	4" ABS	5" Round Cast Iron	59.00
FD11-4ABS-NB	4" ABS	5" Round NB	85.00
FD11-4NH	4" No Hub	5" Round Cast Iron	59.00
FD11-4NH-NB	4" No Hub	5" Round NB	85.00
FD11-4PT	4" Push-On	5" Round Cast Iron	59.00
FD11-4PT-NB	4" Push-On	5" Round NB	85.00



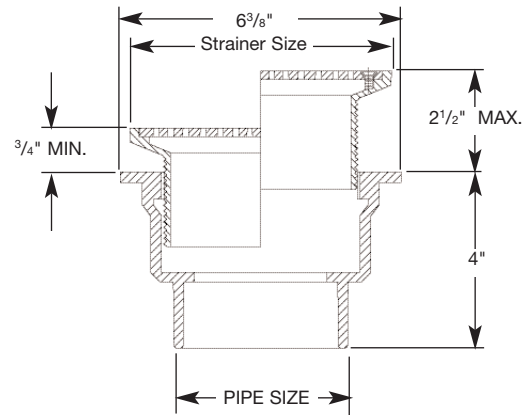
Options

-B	Sediment Bucket	\$20.00
-C	Clamping Ring	24.00
-TPT	Trap Primer Tapping	No Add

Floor Drains

FD12-R On-Grade PVC/ABS Adjustable Floor Drain w/Round Strainer

On-Grade PVC or ABS floor drain with adjustable round nickel bronze, ductile iron, or stainless steel strainer.



Model	Pipe Size	Strainer	List
FD12-5R-2PVC	2" PVC	5" Round NB	\$63.00
FD12-5RDI-2PVC	2" PVC	5" Round DI	44.00
FD12-5RSS-2PVC	2" PVC	5" Round SS	90.00
FD12-6R-2PVC	2" PVC	6" Round NB	85.00
FD12-6RP-2PVC	2" PVC	6" Round PVC	46.00
FD12-6RSS-2PVC	2" PVC	6" Round SS	112.00
FD12-5R-2ABS	2" ABS	5" Round NB	63.00
FD12-5RDI-2ABS	2" ABS	5" Round DI	44.00
FD12-5RSS-2ABS	2" ABS	5" Round SS	90.00
FD12-6R-2ABS	2" ABS	6" Round NB	85.00
FD12-6RP-2ABS	2" ABS	6" Round PVC	46.00
FD12-6RSS-2ABS	2" ABS	6" Round SS	112.00
FD12-5R-3PVC	3" PVC	5" Round NB	63.00
FD12-5RDI-3PVC	3" PVC	5" Round DI	44.00
FD12-5RSS-3PVC	3" PVC	5" Round SS	90.00
FD12-6R-3PVC	3" PVC	6" Round NB	85.00
FD12-6RP-3PVC	3" PVC	6" Round PVC	46.00
FD12-6RSS-3PVC	3" PVC	6" Round SS	112.00
FD12-5R-3ABS	3" ABS	5" Round NB	63.00
FD12-5RDI-3ABS	3" ABS	5" Round DI	44.00
FD12-5RSS-3ABS	3" ABS	5" Round SS	90.00
FD12-6R-3ABS	3" ABS	6" Round NB	85.00
FD12-6RP-3ABS	3" ABS	6" Round PVC	46.00
FD12-6RSS-3ABS	3" ABS	6" Round SS	112.00
FD12-5R-4PVC	4" PVC	5" Round NB	63.00
FD12-5RDI-4PVC	4" PVC	5" Round DI	44.00
FD12-5RSS-4PVC	4" PVC	5" Round SS	90.00
FD12-6R-4PVC	4" PVC	6" Round NB	85.00
FD12-6RP-4PVC	4" PVC	6" Round PVC	46.00
FD12-6RSS-4PVC	4" PVC	6" Round SS	112.00
FD12-5R-4ABS	4" ABS	5" Round NB	63.00
FD12-5RDI-4ABS	4" ABS	5" Round DI	44.00
FD12-5RSS-4ABS	4" ABS	5" Round SS	90.00
FD12-6R-4ABS	4" ABS	6" Round NB	85.00
FD12-6RP-4ABS	4" ABS	6" Round PVC	46.00
FD12-6RSS-4ABS	4" ABS	6" Round SS	112.00

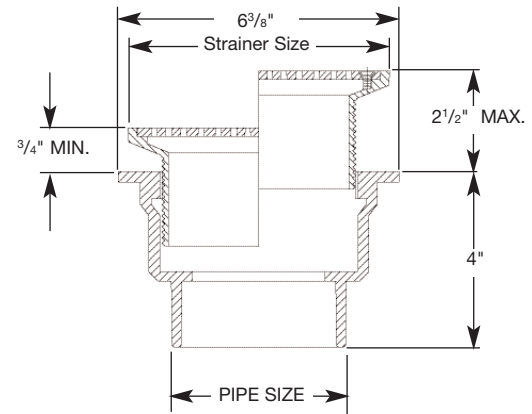
Options

-B	Sediment Bucket	\$20.00
-BV	Backwater Valve	42.00
-E	Strainer Extension	35.00
-G	CI Round Funnel	33.00
-GNB	NB Round Funnel	68.00
-H	CI Oval Funnel	47.00
-HNB	NB Oval Funnel	93.00
-TPT	Trap Primer Tapping	No Add
-VP	Vandal Proof Screws	6.00

Floor Drains

FD12-SQ On-Grade PVC/ABS Adjustable Floor Drain w/Square Strainer

On-Grade PVC or ABS floor drain with adjustable square nickel bronze, ductile iron, or stainless steel strainer.



Model	Pipe Size	Strainer	List
FD12-5SQ-2PVC	2" PVC	5" Square NB	\$77.00
FD12-5SQDI-2PVC	2" PVC	5" Square DI	56.00
FD12-5SQSS-2PVC	2" PVC	5" Square SS	104.00
FD12-6SQ-2PVC	2" PVC	6" Square NB	98.00
FD12-6SQSS-2PVC	2" PVC	6" Square SS	125.00
FD12-5SQ-2ABS	2" ABS	5" Square NB	77.00
FD12-5SQDI-2ABS	2" ABS	5" Square DI	56.00
FD12-5SQSS-2ABS	2" ABS	5" Square SS	104.00
FD12-6SQ-2ABS	2" ABS	6" Square NB	98.00
FD12-6SQSS-2ABS	2" ABS	6" Square SS	125.00
FD12-5SQ-3PVC	3" PVC	5" Square NB	77.00
FD12-5SQDI-3PVC	3" PVC	5" Square DI	56.00
FD12-5SQSS-3PVC	3" PVC	5" Square SS	104.00
FD12-6SQ-3PVC	3" PVC	6" Square NB	98.00
FD12-6SQSS-3PVC	3" PVC	6" Square SS	125.00
FD12-5SQ-3ABS	3" ABS	5" Square NB	77.00
FD12-5SQDI-3ABS	3" ABS	5" Square DI	56.00
FD12-5SQSS-3ABS	3" ABS	5" Square SS	104.00
FD12-6SQ-3ABS	3" ABS	6" Square NB	98.00
FD12-6SQSS-3ABS	3" ABS	6" Square SS	125.00
FD12-5SQ-4PVC	4" PVC	5" Square NB	77.00
FD12-5SQDI-4PVC	4" PVC	5" Square DI	56.00
FD12-5SQSS-4PVC	4" PVC	5" Square SS	104.00
FD12-6SQ-4PVC	4" PVC	6" Square NB	98.00
FD12-6SQSS-4PVC	4" PVC	6" Square SS	125.00
FD12-5SQ-4ABS	4" ABS	5" Square NB	77.00
FD12-5SQDI-4ABS	4" ABS	5" Square DI	56.00
FD12-5SQSS-4ABS	4" ABS	5" Square SS	104.00
FD12-6SQ-4ABS	4" ABS	6" Square NB	98.00
FD12-6SQSS-4ABS	4" ABS	6" Square SS	125.00

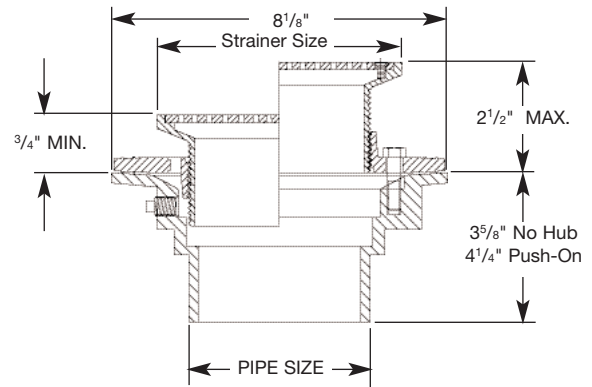
Options

-B	Sediment Bucket	\$20.00
-BV	Backwater Valve	42.00
-E	Strainer Extension	35.00
-G	CI Round Funnel	33.00
-GNB	NB Round Funnel	68.00
-H	CI Oval Funnel	47.00
-HNB	NB Oval Funnel	93.00
-TPT	Trap Primer Tapping	No Add
-VP	Vandal Proof Screws	6.00

Floor Drains

FD15-R Cast Iron Adjustable Floor Drain w/Round Strainer

Cast iron floor drain with reversible clamping collar, and adjustable round nickel bronze, ductile iron, or stainless steel strainer.



Model	Pipe Size	Strainer	List
FD15-5R-2NH	2" No Hub	5" Round NB	\$105.00
FD15-5RDI-2NH	2" No Hub	5" Round DI	86.00
FD15-5RSS-2NH	2" No Hub	5" Round SS	132.00
FD15-6R-2NH	2" No Hub	6" Round NB	127.00
FD15-6RSS-2NH	2" No Hub	6" Round SS	154.00
FD15-5R-2PT	2" Push-On	5" Round NB	105.00
FD15-5RDI-2PT	2" Push-On	5" Round DI	86.00
FD15-5RSS-2PT	2" Push-On	5" Round SS	132.00
FD15-6R-2PT	2" Push-On	6" Round NB	127.00
FD15-6RSS-2PT	2" Push-On	6" Round SS	154.00
FD15-5R-3NH	3" No Hub	5" Round NB	105.00
FD15-5RDI-3NH	3" No Hub	5" Round DI	86.00
FD15-5RSS-3NH	3" No Hub	5" Round SS	132.00
FD15-6R-3NH	3" No Hub	6" Round NB	127.00
FD15-6RSS-3NH	3" No Hub	6" Round SS	154.00
FD15-5R-3PT	3" Push-On	5" Round NB	105.00
FD15-5RDI-3PT	3" Push-On	5" Round DI	86.00
FD15-5RSS-3PT	3" Push-On	5" Round SS	132.00
FD15-6R-3PT	3" Push-On	6" Round NB	127.00
FD15-6RSS-3PT	3" Push-On	6" Round SS	154.00
FD15-5R-4NH	4" No Hub	5" Round NB	105.00
FD15-5RDI-4NH	4" No Hub	5" Round DI	86.00
FD15-5RSS-4NH	4" No Hub	5" Round SS	132.00
FD15-6R-4NH	4" No Hub	6" Round NB	127.00
FD15-6RSS-4NH	4" No Hub	6" Round SS	154.00
FD15-5R-4PT	4" Push-On	5" Round NB	105.00
FD15-5RDI-4PT	4" Push-On	5" Round DI	86.00
FD15-5RSS-4PT	4" Push-On	5" Round SS	132.00
FD15-6R-4PT	4" Push-On	6" Round NB	127.00
FD15-6RSS-4PT	4" Push-On	6" Round SS	154.00

Options

-B	Sediment Bucket	\$20.00
-BV	Backwater Valve	42.00
-E	Strainer Extension	35.00
-G	CI Round Funnel	33.00
-GNB	NB Round Funnel	68.00
-H	CI Oval Funnel	47.00
-HNB	NB Oval Funnel	93.00
-THD	Threaded Connection	35.00
-TPT	Trap Primer Tapping	No Add
-VP	Vandal Proof Screws	6.00

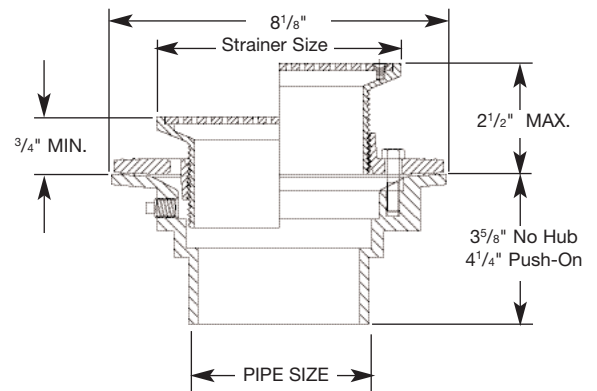
Floor Drains

FD15-SQ Cast Iron Adjustable Floor Drain w/Square Strainer

Cast iron floor drain with reversible clamping collar and adjustable square nickel bronze, ductile iron, or stainless steel strainer.



Model	Pipe Size	Strainer	List
FD15-5SQ-2NH	2" No Hub	5" Square NB	\$119.00
FD15-5SQDI-2NH	2" No Hub	5" Square DI	100.00
FD15-5SQSS-2NH	2" No Hub	5" Square SS	146.00
FD15-6SQ-2NH	2" No Hub	6" Square NB	140.00
FD15-6SQSS-2NH	2" No Hub	6" Square SS	167.00
FD15-5SQ-2PT	2" Push-On	5" Square NB	119.00
FD15-5SQDI-2PT	2" Push-On	5" Square DI	100.00
FD15-5SQSS-2PT	2" Push-On	5" Square SS	146.00
FD15-6SQ-2PT	2" Push-On	6" Square NB	140.00
FD15-6SQSS-2PT	2" Push-On	6" Square SS	167.00
FD15-5SQ-3NH	3" No Hub	5" Square NB	119.00
FD15-5SQDI-3NH	3" No Hub	5" Square DI	100.00
FD15-5SQSS-3NH	3" No Hub	5" Square SS	146.00
FD15-6SQ-3NH	3" No Hub	6" Square NB	140.00
FD15-6SQSS-3NH	3" No Hub	6" Square SS	167.00
FD15-5SQ-3PT	3" Push-On	5" Square NB	119.00
FD15-5SQDI-3PT	3" Push-On	5" Square DI	100.00
FD15-5SQSS-3PT	3" Push-On	5" Square SS	146.00
FD15-6SQ-3PT	3" Push-On	6" Square NB	140.00
FD15-6SQSS-3PT	3" Push-On	6" Square SS	167.00
FD15-5SQ-4NH	4" No Hub	5" Square NB	119.00
FD15-5SQDI-4NH	4" No Hub	5" Square DI	100.00
FD15-5SQSS-4NH	4" No Hub	5" Square SS	146.00
FD15-6SQ-4NH	4" No Hub	6" Square NB	140.00
FD15-6SQSS-4NH	4" No Hub	6" Square SS	167.00
FD15-5SQ-4PT	4" Push-On	5" Square NB	119.00
FD15-5SQDI-4PT	4" Push-On	5" Square DI	100.00
FD15-5SQSS-4PT	4" Push-On	5" Square SS	146.00
FD15-6SQ-4PT	4" Push-On	6" Square NB	140.00
FD15-6SQSS-4PT	4" Push-On	6" Square SS	167.00



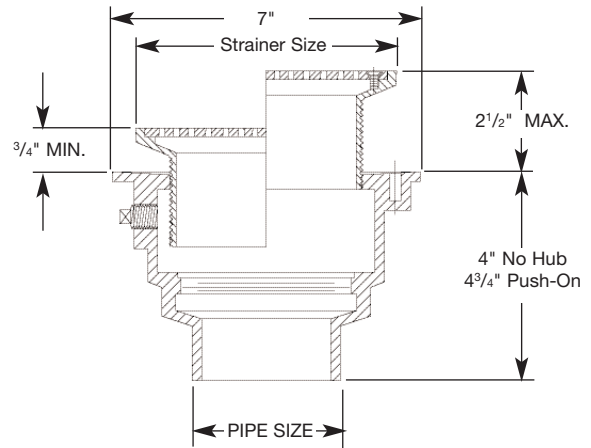
Options

-B	Sediment Bucket	\$20.00
-BV	Backwater Valve	42.00
-E	Strainer Extension	35.00
-G	CI Round Funnel	33.00
-GNB	NB Round Funnel	68.00
-H	CI Oval Funnel	47.00
-HNB	NB Oval Funnel	93.00
-THD	Threaded Connection	35.00
-TPT	Trap Primer Tapping	No Add
-VP	Vandal Proof Screws	6.00

Floor Drains

FD20-R On-Grade Cast Iron Adjustable Floor Drain w/Round Strainer

On-Grade cast iron floor drain with adjustable round nickel bronze, ductile iron, or stainless steel strainer.



Model	Pipe Size	Strainer	List
FD20-5R-2NH	2" No Hub	5" Round NB	\$83.00
FD20-5RDI-2NH	2" No Hub	5" Round DI	64.00
FD20-5RSS-2NH	2" No Hub	5" Round SS	110.00
FD20-6R-2NH	2" No Hub	6" Round NB	105.00
FD20-6RSS-2NH	2" No Hub	6" Round SS	132.00
FD20-5R-2PT	2" Push-On	5" Round NB	83.00
FD20-5RDI-2PT	2" Push-On	5" Round DI	64.00
FD20-5RSS-2PT	2" Push-On	5" Round SS	110.00
FD20-6R-2PT	2" Push-On	6" Round NB	105.00
FD20-6RSS-2PT	2" Push-On	6" Round SS	132.00
FD20-5R-3NH	3" No Hub	5" Round NB	83.00
FD20-5RDI-3NH	3" No Hub	5" Round DI	64.00
FD20-5RSS-3NH	3" No Hub	5" Round SS	110.00
FD20-6R-3NH	3" No Hub	6" Round NB	105.00
FD20-6RSS-3NH	3" No Hub	6" Round SS	132.00
FD20-5R-3PT	3" Push-On	5" Round NB	83.00
FD20-5RDI-3PT	3" Push-On	5" Round DI	64.00
FD20-5RSS-3PT	3" Push-On	5" Round SS	110.00
FD20-6R-3PT	3" Push-On	6" Round NB	105.00
FD20-6RSS-3PT	3" Push-On	6" Round SS	132.00
FD20-5R-4NH	4" No Hub	5" Round NB	83.00
FD20-5RDI-4NH	4" No Hub	5" Round DI	64.00
FD20-5RSS-4NH	4" No Hub	5" Round SS	110.00
FD20-6R-4NH	4" No Hub	6" Round NB	105.00
FD20-6RSS-4NH	4" No Hub	6" Round SS	132.00
FD20-5R-4PT	4" Push-On	5" Round NB	83.00
FD20-5RDI-4PT	4" Push-On	5" Round DI	64.00
FD20-5RSS-4PT	4" Push-On	5" Round SS	110.00
FD20-6R-4PT	4" Push-On	6" Round NB	105.00
FD20-6RSS-4PT	4" Push-On	6" Round SS	132.00

Options

-B	Sediment Bucket	\$20.00
-BV	Backwater Valve	42.00
-E	Strainer Extension	35.00
-G	CI Round Funnel	33.00
-GNB	NB Round Funnel	68.00
-H	CI Oval Funnel	47.00
-HNB	NB Oval Funnel	93.00
-TPT	Trap Primer Tapping	No Add
-VP	Vandal Proof Screws	6.00

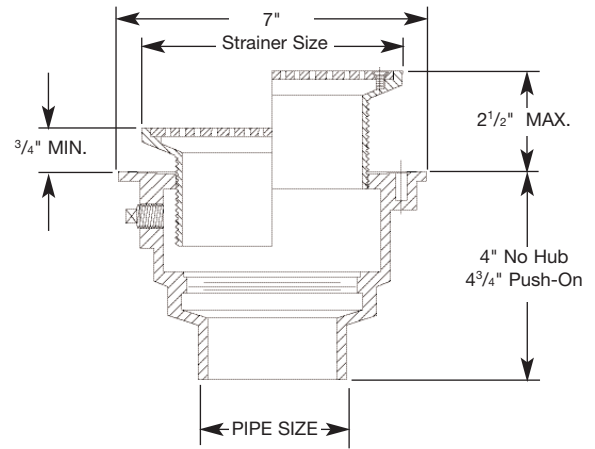
Floor Drains

FD20-SQ Cast Iron Adjustable Floor Drain w/Square Strainer

On-Grade cast iron floor drain with adjustable square nickel bronze, ductile iron, or stainless steel strainer.



Model	Pipe Size	Strainer	List
FD20-5SQ-2NH	2" No Hub	5" Square NB	\$97.00
FD20-5SQDI-2NH	2" No Hub	5" Square DI	78.00
FD20-5SQSS-2NH	2" No Hub	5" Square SS	124.00
FD20-6SQ-2NH	2" No Hub	6" Square NB	119.00
FD20-6SQSS-2NH	2" No Hub	6" Square SS	146.00
FD20-5SQ-2PT	2" Push-On	5" Square NB	97.00
FD20-5SQDI-2PT	2" Push-On	5" Square DI	78.00
FD20-5SQSS-2PT	2" Push-On	5" Square SS	124.00
FD20-6SQ-2PT	2" Push-On	6" Square NB	119.00
FD20-6SQSS-2PT	2" Push-On	6" Square SS	146.00
FD20-5SQ-3NH	3" No Hub	5" Square NB	97.00
FD20-5SQDI-3NH	3" No Hub	5" Square DI	78.00
FD20-5SQSS-3NH	3" No Hub	5" Square SS	124.00
FD20-6SQ-3NH	3" No Hub	6" Square NB	119.00
FD20-6SQSS-3NH	3" No Hub	6" Square SS	146.00
FD20-5SQ-3PT	3" Push-On	5" Square NB	97.00
FD20-5SQDI-3PT	3" Push-On	5" Square DI	78.00
FD20-5SQSS-3PT	3" Push-On	5" Square SS	124.00
FD20-6SQ-3PT	3" Push-On	6" Square NB	119.00
FD20-6SQSS-3PT	3" Push-On	6" Square SS	146.00
FD20-5SQ-4NH	4" No Hub	5" Square NB	97.00
FD20-5SQDI-4NH	4" No Hub	5" Square DI	78.00
FD20-5SQSS-4NH	4" No Hub	5" Square SS	124.00
FD20-6SQ-4NH	4" No Hub	6" Square NB	119.00
FD20-6SQSS-4NH	4" No Hub	6" Square SS	146.00
FD20-5SQ-4PT	4" Push-On	5" Square NB	97.00
FD20-5SQDI-4PT	4" Push-On	5" Square DI	78.00
FD20-5SQSS-4PT	4" Push-On	5" Square SS	124.00
FD20-6SQ-4PT	4" Push-On	6" Square NB	119.00
FD20-6SQSS-4PT	4" Push-On	6" Square SS	146.00



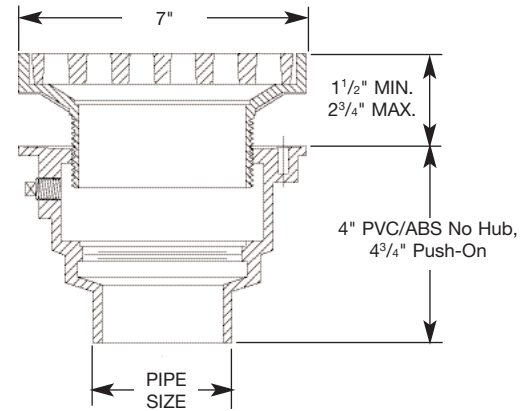
Options

-B	Sediment Bucket	\$20.00
-BV	Backwater Valve	42.00
-E	Strainer Extension	35.00
-G	CI Round Funnel	33.00
-GNB	NB Round Funnel	68.00
-H	CI Oval Funnel	47.00
-HNB	NB Oval Funnel	93.00
-TPT	Trap Primer Tapping	No Add
-VP	Vandal Proof Screws	6.00

Floor Drains

FD30 Area Drain w/6 1/2" Adjustable Top

PVC, ABS, or cast iron area drain with 6 1/2" round adjustable heavy duty ductile iron or nickel bronze top assembly.



Model	Pipe Size	Top	List
FD30-2PVC	2" PVC	6 1/2" Round DI	\$108.00
FD30-2PVC-NB	2" PVC	6 1/2" Round NB	179.00
FD30-2ABS	2" ABS	6 1/2" Round DI	108.00
FD30-2ABS-NB	2" ABS	6 1/2" Round NB	179.00
FD30-2NH	2" No Hub	6 1/2" Round DI	108.00
FD30-2NH-NB	2" No Hub	6 1/2" Round NB	179.00
FD30-2PT	2" Push-On	6 1/2" Round DI	108.00
FD30-2PT-NB	2" Push-On	6 1/2" Round NB	179.00
FD30-3PVC	3" PVC	6 1/2" Round DI	108.00
FD30-3PVC-NB	3" PVC	6 1/2" Round NB	179.00
FD30-3ABS	3" ABS	6 1/2" Round DI	108.00
FD30-3ABS-NB	3" ABS	6 1/2" Round NB	179.00
FD30-3NH	3" No Hub	6 1/2" Round DI	108.00
FD30-3NH-NB	3" No Hub	6 1/2" Round NB	179.00
FD30-3PT	3" Push-On	6 1/2" Round DI	108.00
FD30-3PT-NB	3" Push-On	6 1/2" Round NB	179.00
FD30-4PVC	4" PVC	6 1/2" Round DI	108.00
FD30-4PVC-NB	4" PVC	6 1/2" Round NB	179.00
FD30-4ABS	4" ABS	6 1/2" Round DI	108.00
FD30-4ABS-NB	4" ABS	6 1/2" Round NB	179.00
FD30-4NH	4" No Hub	6 1/2" Round DI	108.00
FD30-4NH-NB	4" No Hub	6 1/2" Round NB	179.00
FD30-4PT	4" Push-On	6 1/2" Round DI	108.00
FD30-4PT-NB	4" Push-On	6 1/2" Round NB	179.00

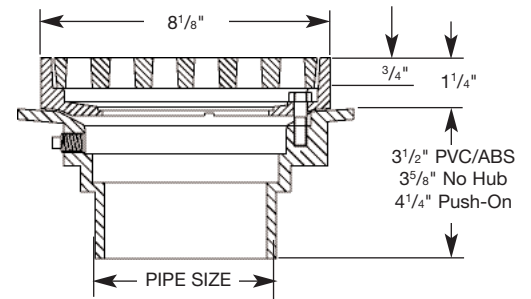
Options

-B	Sediment Bucket	\$27.00
-BV	Backwater Valve	42.00
-G	CI Round Funnel	33.00
-GNB	NB Round Funnel	68.00
-H	CI Oval Funnel	47.00
-HNB	NB Oval Funnel	93.00
-THD	Threaded Connection	35.00
-TPT	Trap Primer Tapping	No Add
-VP	Vandal Proof Screws	6.00

Floor Drains

FD31 Area Drain w/6 1/2" Fixed Top

PVC, ABS, or cast iron area drain with 6 1/2" round fixed heavy duty ductile iron or nickel bronze top assembly.



Model	Pipe Size	Top	List
FD31-2PVC	2" PVC	6 1/2" Round DI	\$69.00
FD31-2PVC-NB	2" PVC	6 1/2" Round NB	136.00
FD31-2ABS	2" ABS	6 1/2" Round DI	69.00
FD31-2ABS-NB	2" ABS	6 1/2" Round NB	136.00
FD31-2NH	2" No Hub	6 1/2" Round DI	69.00
FD31-2NH-NB	2" No Hub	6 1/2" Round NB	136.00
FD31-2PT	2" Push-On	6 1/2" Round DI	69.00
FD31-2PT-NB	2" Push-On	6 1/2" Round NB	136.00
FD31-3PVC	3" PVC	6 1/2" Round DI	69.00
FD31-3PVC-NB	3" PVC	6 1/2" Round NB	136.00
FD31-3ABS	3" ABS	6 1/2" Round DI	69.00
FD31-3ABS-NB	3" ABS	6 1/2" Round NB	136.00
FD31-3NH	3" No Hub	6 1/2" Round DI	69.00
FD31-3NH-NB	3" No Hub	6 1/2" Round NB	136.00
FD31-3PT	3" Push-On	6 1/2" Round DI	69.00
FD31-3PT-NB	3" Push-On	6 1/2" Round NB	136.00
FD31-4PVC	4" PVC	6 1/2" Round DI	69.00
FD31-4PVC-NB	4" PVC	6 1/2" Round NB	136.00
FD31-4ABS	4" ABS	6 1/2" Round DI	69.00
FD31-4ABS-NB	4" ABS	6 1/2" Round NB	136.00
FD31-4NH	4" No Hub	6 1/2" Round DI	69.00
FD31-4NH-NB	4" No Hub	6 1/2" Round NB	136.00
FD31-4PT	4" Push-On	6 1/2" Round DI	69.00
FD31-4PT-NB	4" Push-On	6 1/2" Round NB	136.00

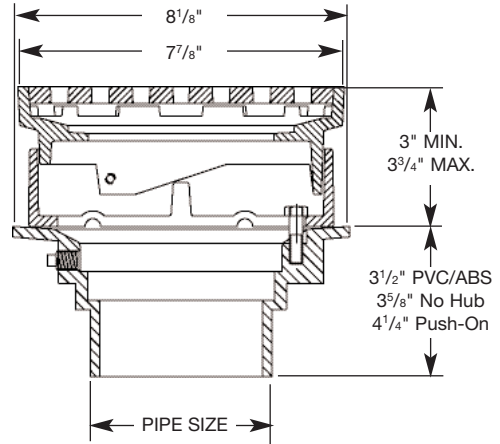
Options

-B	Sediment Bucket	\$27.00
-BV	Backwater Valve	42.00
-G	CI Round Funnel	33.00
-GNB	NB Round Funnel	68.00
-H	CI Oval Funnel	47.00
-HNB	NB Oval Funnel	93.00
-THD	Threaded Connection	35.00
-TPT	Trap Primer Tapping	No Add
-VP	Vandal Proof Screws	6.00

Floor Drains

FD32 Area Drain w/8" Adjustable Top

PVC, ABS, or cast iron area drain with 8" adjustable heavy duty ductile iron or nickel bronze top assembly.



Model	Pipe Size	Top	List
FD32-2PVC	2" PVC	8" Round DI	\$126.00
FD32-2PVC-NB	2" PVC	8" Round NB	204.00
FD32-2PVC-SQ	2" PVC	8" Square DI	154.00
FD32-2PVC-NB-SQ	2" PVC	8" Square NB	232.00
FD32-2ABS	2" ABS	8" Round DI	126.00
FD32-2ABS-NB	2" ABS	8" Round NB	204.00
FD32-2ABS-SQ	2" ABS	8" Square DI	154.00
FD32-2ABS-NB-SQ	2" ABS	8" Square NB	232.00
FD32-2NH	2" No Hub	8" Round DI	126.00
FD32-2NH-NB	2" No Hub	8" Round NB	204.00
FD32-2NH-SQ	2" No Hub	8" Square DI	154.00
FD32-2NH-NB-SQ	2" No Hub	8" Square NB	232.00
FD32-2PT	2" Push-On	8" Round DI	126.00
FD32-2PT-NB	2" Push-On	8" Round NB	204.00
FD32-2PT-SQ	2" Push-On	8" Square DI	154.00
FD32-2PT-NB-SQ	2" Push-On	8" Square NB	232.00
FD32-3PVC	3" PVC	8" Round DI	126.00
FD32-3PVC-NB	3" PVC	8" Round NB	204.00
FD32-3PVC-SQ	3" PVC	8" Square DI	154.00
FD32-3PVC-NB-SQ	3" PVC	8" Square NB	232.00
FD32-3ABS	3" ABS	8" Round DI	126.00
FD32-3ABS-NB	3" ABS	8" Round NB	204.00
FD32-3ABS-SQ	3" ABS	8" Square DI	154.00
FD32-3ABS-NB-SQ	3" ABS	8" Square NB	232.00
FD32-3NH	3" No Hub	8" Round DI	126.00
FD32-3NH-NB	3" No Hub	8" Round NB	204.00
FD32-3NH-SQ	3" No Hub	8" Square DI	154.00
FD32-3NH-NB-SQ	3" No Hub	8" Square NB	232.00
FD32-3PT	3" Push-On	8" Round DI	126.00
FD32-3PT-NB	3" Push-On	8" Round NB	204.00
FD32-3PT-SQ	3" Push-On	8" Square DI	154.00
FD32-3PT-NB-SQ	3" Push-On	8" Square NB	232.00
FD32-4PVC	4" PVC	8" Round DI	126.00
FD32-4PVC-NB	4" PVC	8" Round NB	204.00
FD32-4PVC-SQ	4" PVC	8" Square DI	154.00
FD32-4PVC-NB-SQ	4" PVC	8" Square NB	232.00
FD32-4ABS	4" ABS	8" Round DI	126.00
FD32-4ABS-NB	4" ABS	8" Round NB	204.00
FD32-4ABS-SQ	4" ABS	8" Square DI	154.00
FD32-4ABS-NB-SQ	4" ABS	8" Square NB	232.00
FD32-4NH	4" No Hub	8" Round DI	126.00
FD32-4NH-NB	4" No Hub	8" Round NB	204.00
FD32-4NH-SQ	4" No Hub	8" Square DI	154.00
FD32-4NH-NB-SQ	4" No Hub	8" Square NB	232.00
FD32-4PT	4" Push-On	8" Round DI	126.00
FD32-4PT-NB	4" Push-On	8" Round NB	204.00
FD32-4PT-SQ	4" Push-On	8" Square DI	154.00
FD32-4PT-NB-SQ	4" Push-On	8" Square NB	232.00

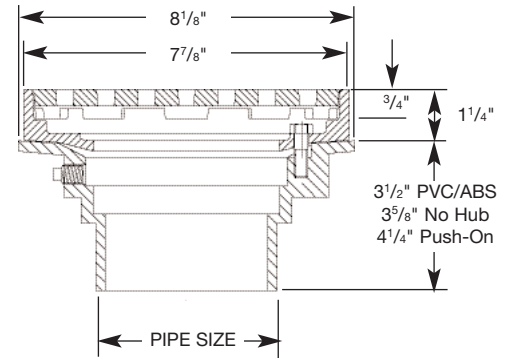
Options

-B	Sediment Bucket	\$27.00
-BV	Backwater Valve	42.00
-G	CI Round Funnel	33.00
-GNB	NB Round Funnel	68.00
-H	CI Oval Funnel	47.00
-HNB	NB Oval Funnel	93.00
-Q	Hinged Grate (Square Top)	40.00
-THD	Threaded Connection	35.00
-TPT	Trap Primer Tapping	No Add
-VP	Vandal Proof Screws	6.00

Floor Drains

FD33 Area Drain w/8" Fixed Top

PVC, ABS, or cast iron area drain with 8" fixed heavy duty ductile iron or nickel bronze top assembly.



Model	Pipe Size	Top	List
FD33-2PVC	2" PVC	8" Round DI	\$74.00
FD33-2PVC-NB	2" PVC	8" Round NB	148.00
FD33-2PVC-SQ	2" PVC	8" Square DI	102.00
FD33-2PVC-NB-SQ	2" PVC	8" Square NB	176.00
FD33-2ABS	2" ABS	8" Round DI	74.00
FD33-2ABS-NB	2" ABS	8" Round NB	148.00
FD33-2ABS-SQ	2" ABS	8" Square DI	102.00
FD33-2ABS-NB-SQ	2" ABS	8" Square NB	176.00
FD33-2NH	2" No Hub	8" Round DI	74.00
FD33-2NH-NB	2" No Hub	8" Round NB	148.00
FD33-2NH-SQ	2" No Hub	8" Square DI	102.00
FD33-2NH-NB-SQ	2" No Hub	8" Square NB	176.00
FD33-2PT	2" Push-On	8" Round DI	74.00
FD33-2PT-NB	2" Push-On	8" Round NB	148.00
FD33-2PT-SQ	2" Push-On	8" Square DI	102.00
FD33-2PT-NB-SQ	2" Push-On	8" Square NB	176.00
FD33-3PVC	3" PVC	8" Round DI	74.00
FD33-3PVC-NB	3" PVC	8" Round NB	148.00
FD33-3PVC-SQ	3" PVC	8" Square DI	102.00
FD33-3PVC-NB-SQ	3" PVC	8" Square NB	176.00
FD33-3ABS	3" ABS	8" Round DI	74.00
FD33-3ABS-NB	3" ABS	8" Round NB	148.00
FD33-3ABS-SQ	3" ABS	8" Square DI	102.00
FD33-3ABS-NB-SQ	3" ABS	8" Square NB	176.00
FD33-3NH	3" No Hub	8" Round DI	74.00
FD33-3NH-NB	3" No Hub	8" Round NB	148.00
FD33-3NH-SQ	3" No Hub	8" Square DI	102.00
FD33-3NH-NB-SQ	3" No Hub	8" Square NB	176.00
FD33-3PT	3" Push-On	8" Round DI	74.00
FD33-3PT-NB	3" Push-On	8" Round NB	148.00
FD33-3PT-SQ	3" Push-On	8" Square DI	102.00
FD33-3PT-NB-SQ	3" Push-On	8" Square NB	176.00
FD33-4PVC	4" PVC	8" Round DI	74.00
FD33-4PVC-NB	4" PVC	8" Round NB	148.00
FD33-4PVC-SQ	4" PVC	8" Square DI	102.00
FD33-4PVC-NB-SQ	4" PVC	8" Square NB	176.00
FD33-4ABS	4" ABS	8" Round DI	74.00
FD33-4ABS-NB	4" ABS	8" Round NB	148.00
FD33-4ABS-SQ	4" ABS	8" Square DI	102.00
FD33-4ABS-NB-SQ	4" ABS	8" Square NB	176.00
FD33-4NH	4" No Hub	8" Round DI	74.00
FD33-4NH-NB	4" No Hub	8" Round NB	148.00
FD33-4NH-SQ	4" No Hub	8" Square DI	102.00
FD33-4NH-NB-SQ	4" No Hub	8" Square NB	176.00
FD33-4PT	4" Push-On	8" Round DI	74.00
FD33-4PT-NB	4" Push-On	8" Round NB	148.00
FD33-4PT-SQ	4" Push-On	8" Square DI	102.00
FD33-4PT-NB-SQ	4" Push-On	8" Square NB	176.00

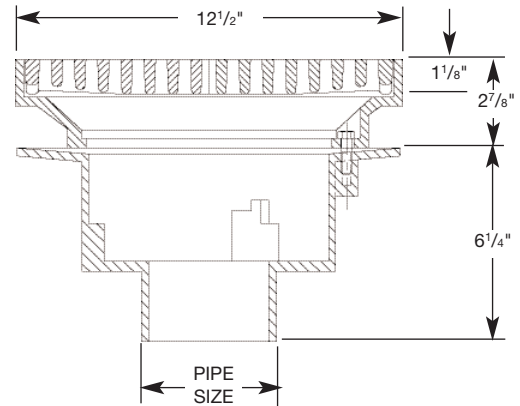
Options

-B	Sediment Bucket	\$27.00
-BV	Backwater Valve	42.00
-G	CI Round Funnel	33.00
-GNB	NB Round Funnel	68.00
-H	CI Oval Funnel	47.00
-HNB	NB Oval Funnel	93.00
-Q	Hinged Grate (Square Top)	40.00
-THD	Threaded Connection	35.00
-TPT	Trap Primer Tapping	No Add
-VP	Vandal Proof Screws	6.00

Floor Drains

FD34 Area Drain w/12" Round Top

PVC, ABS, or cast iron area drain with 12" round heavy duty ductile iron or nickel bronze top assembly.



Model	Pipe Size	Top	List
FD34-2PVC	2" PVC	12" Fixed DI	\$235.00
FD34-2PVC-NB	2" PVC	12" Fixed NB	416.00
FD34-2PVC-ADJ	2" PVC	12" Adjustable DI	350.00
FD34-2PVC-ADJ-NB	2" PVC	12" Adjustable NB	531.00
FD34-2ABS	2" ABS	12" Fixed DI	235.00
FD34-2ABS-NB	2" ABS	12" Fixed NB	416.00
FD34-2ABS-ADJ	2" ABS	12" Adjustable DI	350.00
FD34-2ABS-ADJ-NB	2" ABS	12" Adjustable NB	531.00
FD34-2NH	2" No Hub	12" Fixed DI	235.00
FD34-2NH-NB	2" No Hub	12" Fixed NB	416.00
FD34-2NH-ADJ	2" No Hub	12" Adjustable DI	350.00
FD34-2NH-ADJ-NB	2" No Hub	12" Adjustable NB	531.00
FD34-2PT	2" Push-On	12" Fixed DI	235.00
FD34-2PT-NB	2" Push-On	12" Fixed NB	416.00
FD34-2PT-ADJ	2" Push-On	12" Adjustable DI	350.00
FD34-2PT-ADJ-NB	2" Push-On	12" Adjustable NB	531.00
FD34-3PVC	3" PVC	12" Fixed DI	235.00
FD34-3PVC-NB	3" PVC	12" Fixed NB	416.00
FD34-3PVC-ADJ	3" PVC	12" Adjustable DI	350.00
FD34-3PVC-ADJ-NB	3" PVC	12" Adjustable NB	531.00
FD34-3ABS	3" ABS	12" Fixed DI	235.00
FD34-3ABS-NB	3" ABS	12" Fixed NB	416.00
FD34-3ABS-ADJ	3" ABS	12" Adjustable DI	350.00
FD34-3ABS-ADJ-NB	3" ABS	12" Adjustable NB	531.00
FD34-3NH	3" No Hub	12" Fixed DI	235.00
FD34-3NH-NB	3" No Hub	12" Fixed NB	416.00
FD34-3NH-ADJ	3" No Hub	12" Adjustable DI	350.00
FD34-3NH-ADJ-NB	3" No Hub	12" Adjustable NB	531.00
FD34-3PT	3" Push-On	12" Fixed DI	235.00
FD34-3PT-NB	3" Push-On	12" Fixed NB	416.00
FD34-3PT-ADJ	3" Push-On	12" Adjustable DI	350.00
FD34-3PT-ADJ-NB	3" Push-On	12" Adjustable NB	531.00
FD34-4PVC	4" PVC	12" Fixed DI	235.00
FD34-4PVC-NB	4" PVC	12" Fixed NB	416.00
FD34-4PVC-ADJ	4" PVC	12" Adjustable DI	350.00
FD34-4PVC-ADJ-NB	4" PVC	12" Adjustable NB	531.00
FD34-4ABS	4" ABS	12" Fixed DI	235.00
FD34-4ABS-NB	4" ABS	12" Fixed NB	416.00
FD34-4ABS-ADJ	4" ABS	12" Adjustable DI	350.00
FD34-4ABS-ADJ-NB	4" ABS	12" Adjustable NB	531.00
FD34-4NH	4" No Hub	12" Fixed DI	235.00
FD34-4NH-NB	4" No Hub	12" Fixed NB	416.00
FD34-4NH-ADJ	4" No Hub	12" Adjustable DI	350.00
FD34-4NH-ADJ-NB	4" No Hub	12" Adjustable NB	531.00
FD34-4PT	4" Push-On	12" Fixed DI	235.00
FD34-4PT-NB	4" Push-On	12" Fixed NB	416.00
FD34-4PT-ADJ	4" Push-On	12" Adjustable DI	350.00
FD34-4PT-ADJ-NB	4" Push-On	12" Adjustable NB	531.00

Model	Pipe Size	Top	List
FD34-6PVC	6" PVC	12" Fixed DI	\$235.00
FD34-6PVC-NB	6" PVC	12" Fixed NB	416.00
FD34-6PVC-ADJ	6" PVC	12" Adjustable DI	350.00
FD34-6PVC-ADJ-NB	6" PVC	12" Adjustable NB	531.00
FD34-6NH	6" No Hub	12" Fixed DI	235.00
FD34-6NH-NB	6" No Hub	12" Fixed NB	416.00
FD34-6NH-ADJ	6" No Hub	12" Adjustable DI	350.00
FD34-6NH-ADJ-NB	6" No Hub	12" Adjustable NB	531.00
FD34-6PT	6" Push-On	12" Fixed DI	235.00
FD34-6PT-NB	6" Push-On	12" Fixed NB	416.00
FD34-6PT-ADJ	6" Push-On	12" Adjustable DI	350.00
FD34-6PT-ADJ-NB	6" Push-On	12" Adjustable NB	531.00

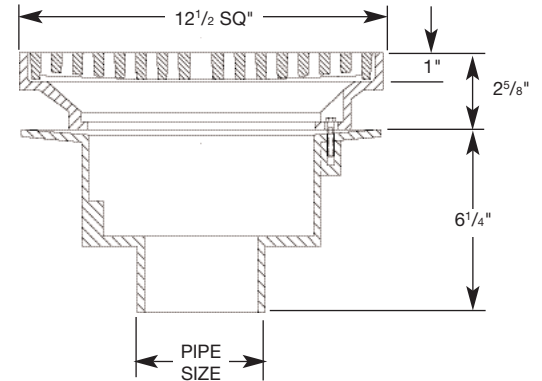
Options

-B	Sediment Bucket	\$33.00
-BV	Backwater Valve (2,3,4")	42.00
-G	CI Round Funnel	33.00
-GNB	NB Round Funnel	68.00
-H	CI Oval Funnel	47.00
-HNB	NB Oval Funnel	93.00
-THD	Threaded Connection	35.00
-TPT	Trap Primer Tapping	21.00
-VP	Vandal Proof Screws	9.00

Floor Drains

FD46 Area Drain w/12" Square Top

PVC, ABS, or cast iron area drain with 12" square heavy duty ductile iron or nickel bronze top assembly.



Model	Pipe Size	Top	List
FD46-2PVC	2" PVC	12" Fixed DI	\$260.00
FD46-2PVC-NB	2" PVC	12" Fixed NB	442.00
FD46-2PVC-ADJ	2" PVC	12" Adjustable DI	375.00
FD46-2PVC-ADJ-NB	2" PVC	12" Adjustable NB	557.00
FD46-2ABS	2" ABS	12" Fixed DI	260.00
FD46-2ABS-NB	2" ABS	12" Fixed NB	442.00
FD46-2ABS-ADJ	2" ABS	12" Adjustable DI	375.00
FD46-2ABS-ADJ-NB	2" ABS	12" Adjustable NB	557.00
FD46-2NH	2" No Hub	12" Fixed DI	260.00
FD46-2NH-NB	2" No Hub	12" Fixed NB	442.00
FD46-2NH-ADJ	2" No Hub	12" Adjustable DI	375.00
FD46-2NH-ADJ-NB	2" No Hub	12" Adjustable NB	557.00
FD46-2PT	2" Push-On	12" Fixed DI	260.00
FD46-2PT-NB	2" Push-On	12" Fixed NB	442.00
FD46-2PT-ADJ	2" Push-On	12" Adjustable DI	375.00
FD46-2PT-ADJ-NB	2" Push-On	12" Adjustable NB	557.00
FD46-3PVC	3" PVC	12" Fixed DI	260.00
FD46-3PVC-NB	3" PVC	12" Fixed NB	442.00
FD46-3PVC-ADJ	3" PVC	12" Adjustable DI	375.00
FD46-3PVC-ADJ-NB	3" PVC	12" Adjustable NB	557.00
FD46-3ABS	3" ABS	12" Fixed DI	260.00
FD46-3ABS-NB	3" ABS	12" Fixed NB	442.00
FD46-3ABS-ADJ	3" ABS	12" Adjustable DI	375.00
FD46-3ABS-ADJ-NB	3" ABS	12" Adjustable NB	557.00
FD46-3NH	3" No Hub	12" Fixed DI	260.00
FD46-3NH-NB	3" No Hub	12" Fixed NB	442.00
FD46-3NH-ADJ	3" No Hub	12" Adjustable DI	375.00
FD46-3NH-ADJ-NB	3" No Hub	12" Adjustable NB	557.00
FD46-3PT	3" Push-On	12" Fixed DI	260.00
FD46-3PT-NB	3" Push-On	12" Fixed NB	442.00
FD46-3PT-ADJ	3" Push-On	12" Adjustable DI	375.00
FD46-3PT-ADJ-NB	3" Push-On	12" Adjustable NB	557.00
FD46-4PVC	4" PVC	12" Fixed DI	260.00
FD46-4PVC-NB	4" PVC	12" Fixed NB	442.00
FD46-4PVC-ADJ	4" PVC	12" Adjustable DI	375.00
FD46-4PVC-ADJ-NB	4" PVC	12" Adjustable NB	557.00
FD46-4ABS	4" ABS	12" Fixed DI	260.00
FD46-4ABS-NB	4" ABS	12" Fixed NB	442.00
FD46-4ABS-ADJ	4" ABS	12" Adjustable DI	375.00
FD46-4ABS-ADJ-NB	4" ABS	12" Adjustable NB	557.00
FD46-4NH	4" No Hub	12" Fixed DI	260.00
FD46-4NH-NB	4" No Hub	12" Fixed NB	442.00
FD46-4NH-ADJ	4" No Hub	12" Adjustable DI	375.00
FD46-4NH-ADJ-NB	4" No Hub	12" Adjustable NB	557.00
FD46-4PT	4" Push-On	12" Fixed DI	260.00
FD46-4PT-NB	4" Push-On	12" Fixed NB	442.00
FD46-4PT-ADJ	4" Push-On	12" Adjustable DI	375.00
FD46-4PT-ADJ-NB	4" Push-On	12" Adjustable NB	557.00

Model	Pipe Size	Top	List
FD46-6PVC	6" PVC	12" Fixed DI	\$260.00
FD46-6PVC-NB	6" PVC	12" Fixed NB	442.00
FD46-6PVC-ADJ	6" PVC	12" Adjustable DI	375.00
FD46-6PVC-ADJ-NB	6" PVC	12" Adjustable NB	557.00
FD46-6NH	6" No Hub	12" Fixed DI	260.00
FD46-6NH-NB	6" No Hub	12" Fixed NB	442.00
FD46-6NH-ADJ	6" No Hub	12" Adjustable DI	375.00
FD46-6NH-ADJ-NB	6" No Hub	12" Adjustable NB	557.00
FD46-6PT	6" Push-On	12" Fixed DI	260.00
FD46-6PT-NB	6" Push-On	12" Fixed NB	442.00
FD46-6PT-ADJ	6" Push-On	12" Adjustable DI	375.00
FD46-6PT-ADJ-NB	6" Push-On	12" Adjustable NB	557.00

Options

-B	Sediment Bucket	\$33.00
-BV	Backwater Valve	42.00
-G	CI Round Funnel	33.00
-GNB	NB Round Funnel	68.00
-H	CI Oval Funnel	47.00
-HNB	NB Oval Funnel	93.00
-Q	Hinged Grate	40.00
-THD	Threaded Connection	35.00
-TPT	Trap Primer Tapping	21.00
-VP	Vandal Proof Screws	9.00

Floor Drains

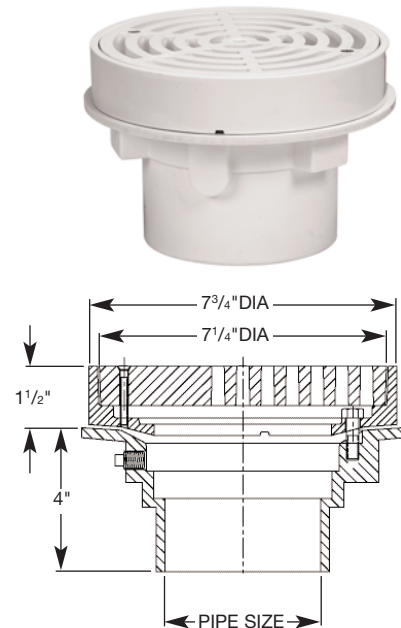
FD66 PVC or ABS Drain w/7" Fixed Top

PVC or ABS area drain with 7" round PVC fixed top assembly.

Model	Pipe Size	Top	List
FD66-2PVC	2" PVC	7" Fixed PVC	\$79.00
FD66-2ABS	2" ABS	7" Fixed PVC	79.00
FD66-3PVC	3" PVC	7" Fixed PVC	79.00
FD66-3ABS	3" ABS	7" Fixed PVC	79.00
FD66-4PVC	4" PVC	7" Fixed PVC	79.00
FD66-4ABS	4" ABS	7" FixedPVC	79.00

Options

-2G	1/2 Grate	No Add
-B	Sediment Bucket	27.00
-BV	Backwater Valve (2,3,4")	42.00
-G	CI Round Funnel	33.00
-GNB	NB Round Funnel	68.00
-H	CI Oval Funnel	47.00
-HNB	NB Oval Funnel	93.00
-TPT	Trap Primer Tapping	No Add
-VP	Vandal Proof Screws	6.00



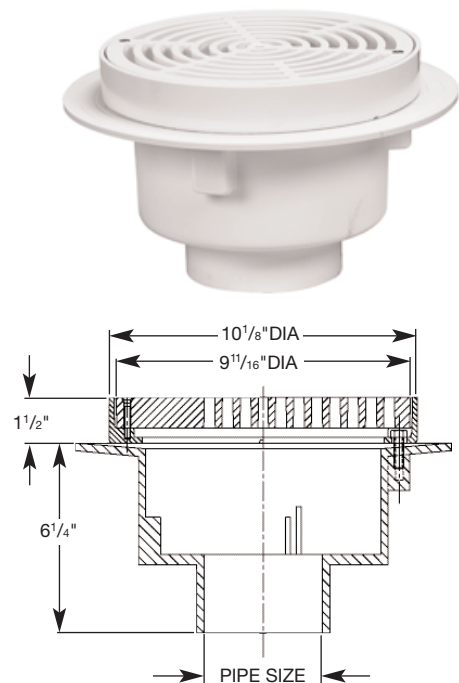
FD67 PVC or ABS Drain w/10" Fixed Top

PVC or ABS area drain with 10" round PVC fixed top assembly.

Model	Pipe Size	Top	List
FD67-2PVC	2" PVC	10" Fixed PVC	\$124.00
FD67-2ABS	2" ABS	10" Fixed PVC	124.00
FD67-3PVC	3" PVC	10" Fixed PVC	124.00
FD67-3ABS	3" ABS	10" Fixed PVC	124.00
FD67-4PVC	4" PVC	10" Fixed PVC	124.00
FD67-4ABS	4" ABS	10" Fixed PVC	124.00
FD67-6PVC	6" PVC	10" Fixed PVC	124.00

Options

-2G	1/2 Grate	No Add
-B	Sediment Bucket	33.00
-BV	Backwater Valve (2,3,4")	42.00
-G	CI Round Funnel	33.00
-GNB	NB Round Funnel	68.00
-H	CI Oval Funnel	47.00
-HNB	NB Oval Funnel	93.00
-SB	Sand Bucket	27.00
-TPT	Trap Primer Tapping	21.00
-VP	Vandal Proof Screws	9.00



Floor Sinks

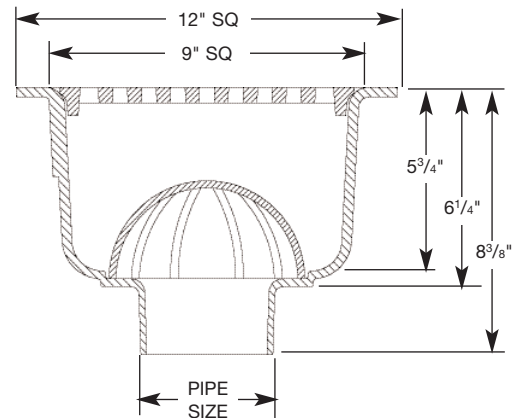
FS55 Porcelain Enameled Cast Iron Floor Sink

12" square x 6" deep white porcelain enamel coated cast iron floor sink with loose set grate, and aluminum dome bottom strainer.

Model	Pipe Size	Top	List
FS55-2NH	2" No Hub	Porcelain CI	\$240.00
FS55-2NH-NB	2" No Hub	Nickel Bronze	381.00
FS55-2PT	2" Push-On	Porcelain CI	240.00
FS55-2PT-NB	2" Push-On	Nickel Bronze	381.00
FS55-3NH	3" No Hub	Porcelain CI	240.00
FS55-3NH-NB	3" No Hub	Nickel Bronze	381.00
FS55-3PT	3" Push-On	Porcelain CI	240.00
FS55-3PT-NB	3" Push-On	Nickel Bronze	381.00
FS55-4NH	4" No Hub	Porcelain CI	240.00
FS55-4NH-NB	4" No Hub	Nickel Bronze	381.00
FS55-4PT	4" Push-On	Porcelain CI	240.00
FS55-4PT-NB	4" Push-On	Nickel Bronze	381.00

Options

-2G	1/2 Grate	No Add
-3G	3/4 Grate	No Add
-B	Sediment Bucket	\$42.00
-G	CI Round Funnel	33.00
-GNB	NB Round Funnel	68.00
-H	CI Oval Funnel	47.00
-HNB	NB Oval Funnel	93.00
-LG	Less Grate	- 59.00
-TPT	Trap Primer Tapping	33.00
-VP	Vandal Proof Screws (NB Only)	6.00



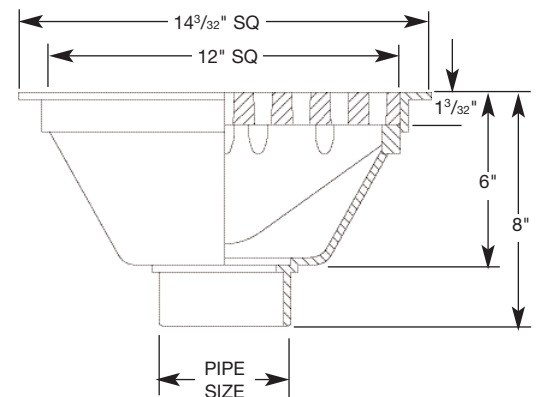
FS56 PVC Floor Sink

12" square x 6" deep white PVC floor sink with secured grate.

Model	Pipe Size	List
FS56-2PVC	2" PVC	\$129.00
FS56-3PVC	3" PVC	129.00
FS56-4PVC	4" PVC	129.00

Options

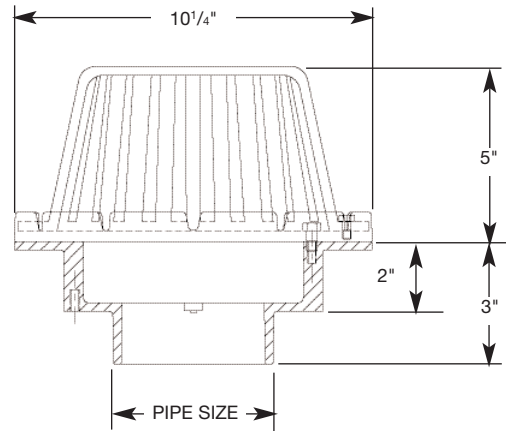
-2G	1/2 Grate	No Add
-3G	3/4 Grate	No Add
-B	Sediment Bucket	\$42.00
-DS	Dome Strainer	27.00
-G	CI Round Funnel	33.00
-GNB	NB Round Funnel	68.00
-H	CI Oval Funnel	47.00
-HNB	NB Oval Funnel	93.00
-LG	Less Grate	- 32.00
-VP	Vandal Proof Screws	6.00



Roof Drains

RD1 10" Dia. Roof Drain

PVC, ABS, or cast roof drain with aluminum alloy flashing clamp, and secured poly or cast iron dome.



Model	Pipe Size	Dome	List
RD1-2PVC	2" PVC	Poly	\$76.00
RD1-2PVC-M	2" PVC	Cast Iron	88.00
RD1-2ABS	2" ABS	Poly	76.00
RD1-2ABS-M	2" ABS	Cast Iron	88.00
RD1-2NH	2" No Hub	Poly	89.00
RD1-2NH-M	2" No Hub	Cast Iron	101.00
RD1-3PVC	3" PVC	Poly	76.00
RD1-3PVC-M	3" PVC	Cast Iron	88.00
RD1-3ABS	3" ABS	Poly	76.00
RD1-3ABS-M	3" ABS	Cast Iron	88.00
RD1-3NH	3" No Hub	Poly	89.00
RD1-3NH-M	3" No Hub	Cast Iron	101.00
RD1-4PVC	4" PVC	Poly	76.00
RD1-4PVC-M	4" PVC	Cast Iron	88.00
RD1-4ABS	4" ABS	Poly	76.00
RD1-4ABS-M	4" ABS	Cast Iron	88.00
RD1-4NH	4" No Hub	Poly	89.00
RD1-4NH-M	4" No Hub	Cast Iron	101.00

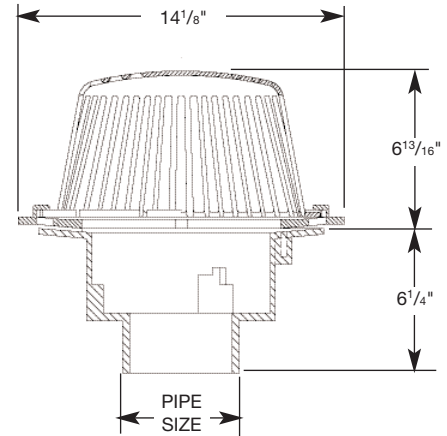
Options

-D	Deck Clamp	\$28.00
-E	Adjustable Extension	30.00
-GG	SS Gravel Guard	55.00
-P	Sump Receiver	24.00
-R	2" External Overflow Dam	39.00
-VP	Vandal Proof Screws	6.00
-X	Flotrol Device	57.00
2DP	Poly Dome Only	24.00
2D	Cast Iron Dome Only	34.00

Roof Drains

RD10 12" Dia. Roof Drain

PVC, ABS, or cast roof drain with cast iron flashing clamp, and locking poly or cast iron dome.



Model	Pipe Size	Dome	List
RD10-2PVC	2" PVC	Poly	\$109.00
RD10-2PVC-M	2" PVC	Cast Iron	131.00
RD10-2ABS	2" ABS	Poly	109.00
RD10-2ABS-M	2" ABS	Cast Iron	131.00
RD10-2NH	2" No Hub	Poly	128.00
RD10-2NH-M	2" No Hub	Cast Iron	150.00
RD10-3PVC	3" PVC	Poly	109.00
RD10-3PVC-M	3" PVC	Cast Iron	131.00
RD10-3ABS	3" ABS	Poly	109.00
RD10-3ABS-M	3" ABS	Cast Iron	131.00
RD10-3NH	3" No Hub	Poly	128.00
RD10-3NH-M	3" No Hub	Cast Iron	150.00
RD10-4PVC	4" PVC	Poly	109.00
RD10-4PVC-M	4" PVC	Cast Iron	131.00
RD10-4ABS	4" ABS	Poly	109.00
RD10-4ABS-M	4" ABS	Cast Iron	131.00
RD10-4NH	4" No Hub	Poly	128.00
RD10-4NH-M	4" No Hub	Cast Iron	150.00
RD10-5NH	5" No Hub	Poly	151.00
RD10-5NH-M	5" No Hub	Cast Iron	173.00
RD10-6PVC	6" PVC	Poly	132.00
RD10-6PVC-M	6" PVC	Cast Iron	154.00
RD10-6NH	6" No Hub	Poly	151.00
RD10-6NH-M	6" No Hub	Cast Iron	173.00

Options

-D	Deck Clamp	\$34.00
-F	Adjustable Extension	113.00
-GG	SS Gravel Guard	91.00
-M80	Aluminum Dome	43.00
-P	Sump Receiver	34.00
-R	2" External Overflow Dam	51.00
-VP	Vandal Proof Screws	6.00
-W	4" Internal Overflow	100.00
-X	Flotrol Device	57.00
B2-DM	Poly Dome Only	30.00
B2-KDM	Cast Iron Dome Only	52.00

Roof Drains

RD25 Roof Drain/Overflow Combination

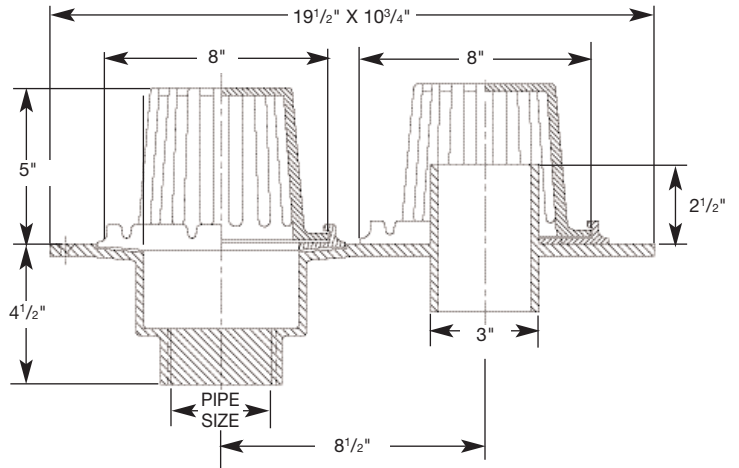
Cast iron roof drain/overflow combination with integral deck flange and secured cast iron domes.



Model	Pipe Size	List
RD25-2NH	2" No Hub	\$156.00
RD25-3NH	3" No Hub	156.00
RD25-4NH	4" No Hub	156.00

Options

-VP	Vandal Proof Screws	\$6.00
-----	---------------------	--------



RD28 Cast Iron Flanged Roof Drain

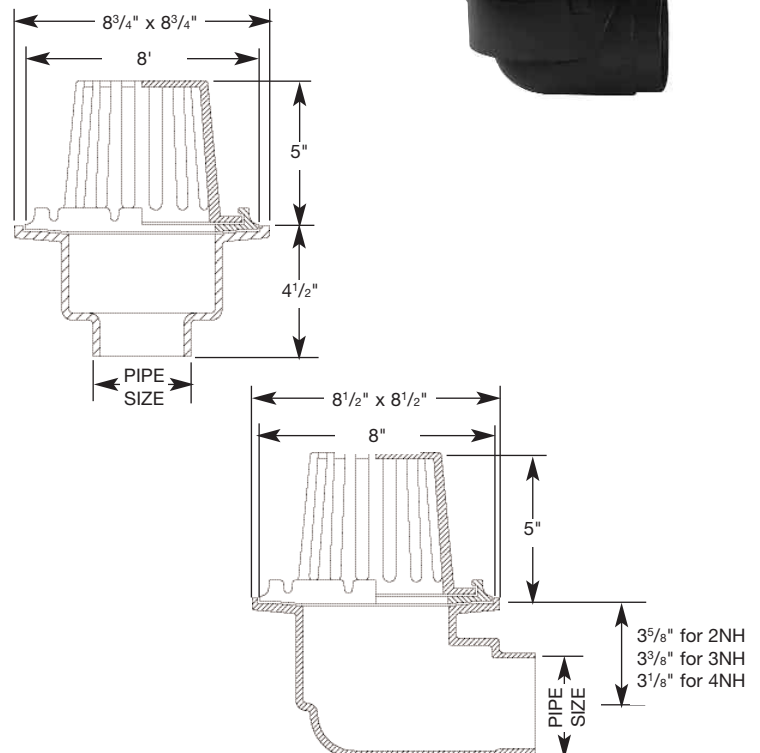
Cast iron roof drain with integral deck flange, secured cast iron dome, and bottom or side outlet.



Model	Pipe Size	Outlet	List
RD28-2NH	2" No Hub	Bottom	\$118.00
RD28-2NH-SO	2" No Hub	Side	143.00
RD28-3NH	3" No Hub	Bottom	118.00
RD28-3NH-SO	3" No Hub	Side	143.00
RD28-4NH	4" No Hub	Bottom	118.00
RD28-4NH-SO	4" No Hub	Side	143.00

Options

-R	2" External Overflow Dam	\$40.00
-VP	Vandal Proof Screws	6.00



Interceptors

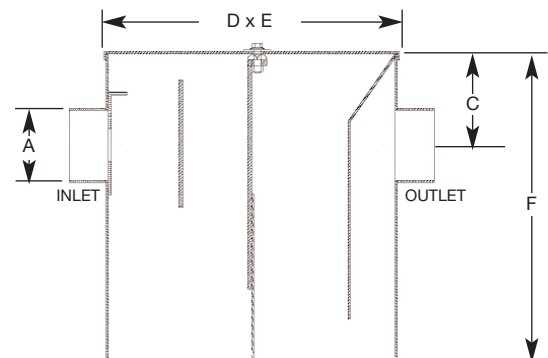
G SERIES Floor Mounted Grease Interceptor

Epoxy coated steel floor mounted grease interceptor with internal flow control.



Model	Flow Rate GPM	Capacity Lbs.	Conn.	List
G-84	4	8	No Hub	\$295.00
G-84-THD	4	8	Threaded	295.00
G-147	7	14	No Hub	327.00
G-147-THD	7	14	Threaded	327.00
G-2010	10	20	No Hub	373.00
G-2010-THD	10	20	Threaded	373.00
G-3015	15	30	No Hub	446.00
G-3015-THD	15	30	Threaded	446.00
G-4020	20	40	No Hub	518.00
G-4020-THD	20	40	Threaded	518.00

Model	Pipe Size		Length D	Width E	Height F
	A	C			
G-84	2"	3"	10"	10"	10"
G-84-THD	2"	3"	10"	10"	10"
G-147	2"	3"	11 ³ / ₄ "	11 ³ / ₄ "	11"
G-147-THD	2"	3"	11 ³ / ₄ "	11 ³ / ₄ "	11"
G-2010	2"	3"	13 ¹ / ₂ "	13 ¹ / ₂ "	12"
G-2010-THD	2"	3"	13 ¹ / ₂ "	13 ¹ / ₂ "	12"
G-3015	2"	3"	15 ¹ / ₄ "	15 ¹ / ₄ "	13"
G-3015-THD	2"	3"	15 ¹ / ₄ "	15 ¹ / ₄ "	13"
G-4020	3"	3 ¹ / ₂ "	17"	17"	14 ¹ / ₂ "
G-4020-THD	3"	3 ¹ / ₂ "	17"	17"	14 ¹ / ₂ "



Interceptors

GP SERIES Grease Interceptor

PDI Certified recessed or floor mounted epoxy coated steel grease interceptor with external flow control fitting.

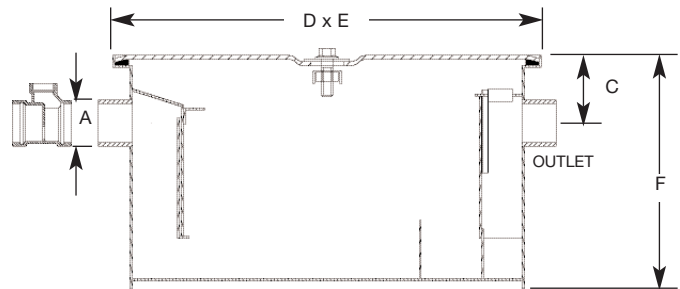


Model	Flow Rate GPM	Capacity Lbs.	Conn.	List
GP-4	4	8	No Hub	\$373.00
GP-4-THD	4	8	Threaded	373.00
GP-7	7	14	No Hub	490.00
GP-7-THD	7	14	Threaded	490.00
GP-10	10	20	No Hub	555.00
GP-10-THD	10	20	Threaded	555.00
GP-15	15	30	No Hub	660.00
GP-15-THD	15	30	Threaded	660.00
GP-20	20	40	No Hub	743.00
GP-20-THD	20	40	Threaded	743.00
GP-25	25	50	No Hub	971.00
GP-25-THD	25	50	Threaded	971.00
GP-35	35	70	No Hub	1203.00
GP-35-THD	35	70	Threaded	1203.00
GP-50	50	100	No Hub	1386.00
GP-50-THD	50	100	Threaded	1386.00

Options

-E	Extension up to 12" Each Additional Inch	\$602.00 40.00
----	---	-------------------

Model	Pipe Size		Length D	Width E	Height F
	A	C			
GP-4	2"	3 ¹ / ₄ "	16"	10"	11"
GP-4-THD	2"	3 ¹ / ₄ "	16"	10"	11"
GP-7	2"	3 ¹ / ₂ "	18"	13"	12"
GP-7-THD	2"	3 ¹ / ₂ "	18"	13"	12"
GP-10	2"	3 ¹ / ₂ "	21 ³ / ₄ "	14"	12"
GP-10-THD	2"	3 ¹ / ₂ "	21 ³ / ₄ "	14"	12"
GP-15	2"	3 ¹ / ₂ "	22"	15"	14"
GP-15-THD	2"	3 ¹ / ₂ "	22"	15"	14"
GP-20	3"	3 ¹ / ₂ "	24"	15 ³ / ₄ "	15"
GP-20-THD	3"	3 ¹ / ₂ "	24"	15 ³ / ₄ "	15"
GP-25	3"	4 ¹ / ₂ "	26"	16 ¹ / ₂ "	16 ¹ / ₂ "
GP-25-THD	3"	4 ¹ / ₂ "	26"	16 ¹ / ₂ "	16 ¹ / ₂ "
GP-35	3"	5"	30"	18"	19"
GP-35-THD	3"	5"	30"	18"	19"
GP-50	4"	5 ¹ / ₂ "	32"	22"	21 ¹ / ₂ "
GP-50-THD	4"	5 ¹ / ₂ "	32"	22"	21 ¹ / ₂ "



Interceptors

GL SERIES Low-Rough-In Grease Interceptor

PDI Certified low-rough-in recessed or floor mounted epoxy coated steel grease interceptor with external flow control fitting.

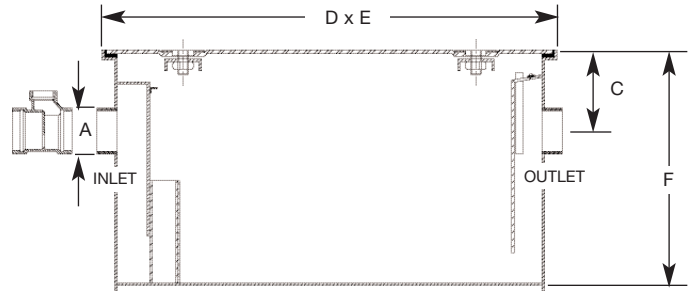


Model	Flow Rate GPM	Capacity Lbs.	Conn.	List
GL-20	20	40	No Hub	\$960.00
GL-20-THD	20	40	Threaded	960.00
GL-35	35	70	No Hub	1524.00
GL-35-THD	35	70	Threaded	1524.00
GL-50	50	100	No Hub	1786.00
GL-50-THD	50	100	Threaded	1786.00

Options

-E	Extension up to 12" Each Additional Inch	\$602.00 40.00
----	---	-------------------

Model	Pipe Size		Length D	Width E	Height F
	A	C			
GL-20	3"	4 ¹ / ₄ "	34 ⁷ / ₈ "	22 ⁷ / ₈ "	11 ³ / ₄ "
GL-20-THD	3"	4 ¹ / ₄ "	34 ⁷ / ₈ "	22 ⁷ / ₈ "	11 ³ / ₄ "
GL-35	4"	4 ¹ / ₂ "	40 ⁷ / ₈ "	32 ⁷ / ₈ "	11 ⁷ / ₈ "
GL-35-THD	4"	4 ¹ / ₂ "	40 ⁷ / ₈ "	32 ⁷ / ₈ "	11 ⁷ / ₈ "
GL-50	4"	5 ¹ / ₂ "	55"	33"	14"
GL-50-THD	4"	5 ¹ / ₂ "	55"	33"	14"



Interceptors

GX SERIES Large Capacity Grease Interceptor

Large capacity recessed or floor mounted epoxy coated steel grease interceptor with internal flow control.

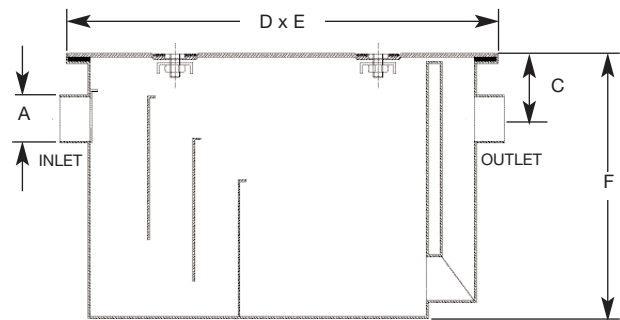


Model	Flow Rate GPM	Capacity Lbs.	Conn.	List
GX-75	75	150	No Hub	\$2555.00
GX-75-THD	75	150	Threaded	2555.00
GX-100	100	200	No Hub	3454.00
GX-100-THD	100	200	Threaded	3454.00
GX-150	150	300	No Hub	4774.00
GX-150-THD	150	300	Threaded	4774.00
GX-200	200	400	No Hub	7152.00
GX-200-THD	200	400	Threaded	7152.00
GX-250	250	500	No Hub	8371.00
GX-250-THD	250	500	Threaded	8371.00
GX-300	300	600	No Hub	9691.00
GX-300-THD	300	600	Threaded	9691.00
GX-400	400	800	No Hub	12,083.00
GX-400-THD	400	800	Threaded	12,083.00
GX-500	500	1000	No Hub	14,767.00
GX-500-THD	500	1000	Threaded	14,767.00

Options

-E	Extension up to 12" Each Additional Inch	\$834.00 59.00
----	---	-------------------

Model	Pipe Size		Length D	Width E	Height F
	A	C			
GX-75	4"	4 1/2"	39 3/4"	30 3/4"	23"
GX-75-THD	4"	4 1/2"	39 3/4"	30 3/4"	23"
GX-100	4"	4 1/2"	39 3/4"	30 3/4"	33"
GX-100-THD	4"	4 1/2"	39 3/4"	30 3/4"	33"
GX-150	4"	4 1/2"	39 3/4"	30 3/4"	43"
GX-150-THD	4"	4 1/2"	39 3/4"	30 3/4"	43"
GX-200	4"	6 1/2"	52"	34"	43"
GX-200-THD	4"	6 1/2"	52"	34"	43"
GX-250	4"	6 1/2"	52"	34"	46"
GX-250-THD	6"	6 1/2"	52"	34"	46"
GX-300	6"	10"	76"	48"	48"
GX-300-THD	6"	10"	76"	48"	48"
GX-400	6"	10"	83"	55"	52"
GX-400-THD	6"	10"	83"	55"	52"
GX-500	6"	10"	91"	60"	63"
GX-500-THD	6"	10"	91"	60"	63"



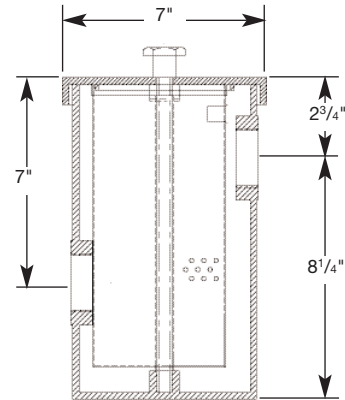
Interceptors

SI-74 Sediment Interceptor

Epoxy coated cast aluminum or stainless steel sediment interceptor with removable basket.



Model	Pipe Size	Type	List
SI-74	2"	Cast Iron	\$280.00
SI-74-SS	2"	Stainless Steel	955.00

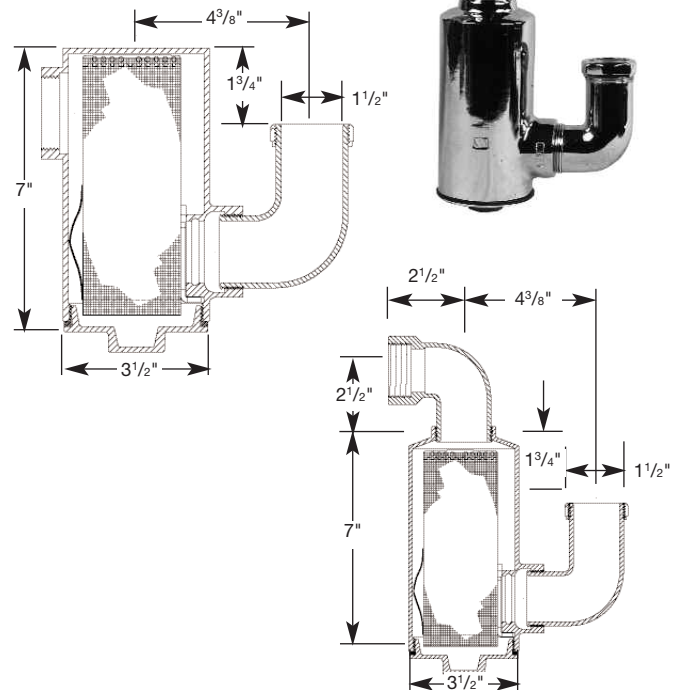


SI-75 Hair Interceptor

Epoxy coated cast iron or chrome plated hair interceptor with slip joint inlet and removable basket.



Model	Pipe Size	Type	List
SI-75	1 1/2"	Cast Iron	\$193.00
SI-75-CP	1 1/2"	Chrome Plated	319.00



Cleanouts

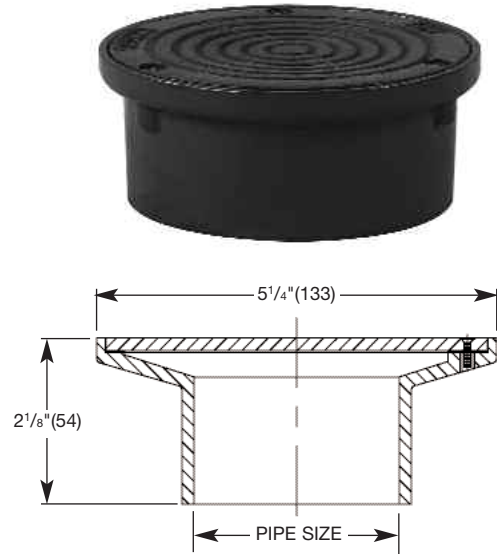
CO5 General Purpose Floor Cleanout

PVC, ABS, or cast iron general purpose floor cleanout with secured ductile iron or nickel bronze gasketed cover.

Model	Pipe Size	Grate	List
CO5-2PVC	2" PVC	5" Round DI	\$20.00
CO5-2PVC-NB	2" PVC	5" Round NB	42.00
CO5-2ABS	2" ABS	5" Round DI	20.00
CO5-2ABS-NB	2" ABS	5" Round NB	42.00
CO5-2NH	2" No Hub	5" Round DI	20.00
CO5-2NH-NB	2" No Hub	5" Round NB	42.00
CO5-3PVC	3" PVC	5" Round DI	21.00
CO5-3PVC-NB	3" PVC	5" Round NB	43.00
CO5-3ABS	3" ABS	5" Round DI	21.00
CO5-3ABS-NB	3" ABS	5" Round NB	43.00
CO5-3NH	3" No Hub	5" Round DI	21.00
CO5-3NH-NB	3" No Hub	5" Round NB	43.00
CO5-4PVC	4" PVC	5" Round DI	24.00
CO5-4PVC-NB	4" PVC	5" Round NB	46.00
CO5-4ABS	4" ABS	5" Round DI	24.00
CO5-4ABS-NB	4" ABS	5" Round NB	46.00
CO5-4NH	4" No Hub	5" Round DI	24.00
CO5-4NH-NB	4" No Hub	5" Round NB	46.00

Options

-VP	Vandal Proof Screws	\$6.00
-----	---------------------	--------



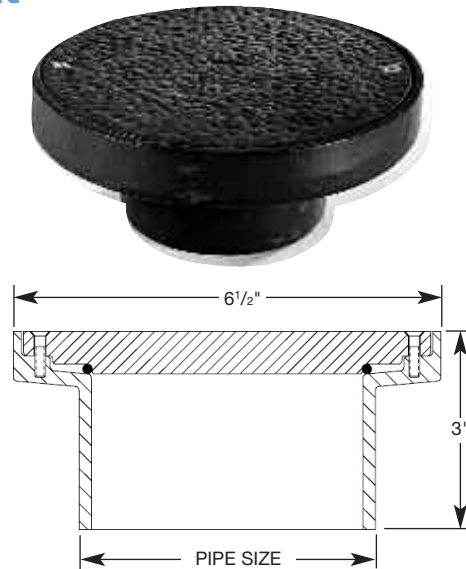
CO6 Heavy Duty Cast Iron Floor Cleanout

Cast iron heavy duty floor cleanout with gasketed cover.

Model	Pipe Size	List
CO6-2NH	2" No Hub	\$32.00
CO6-3NH	3" No Hub	32.00
CO6-4NH	4" No Hub	32.00

Options

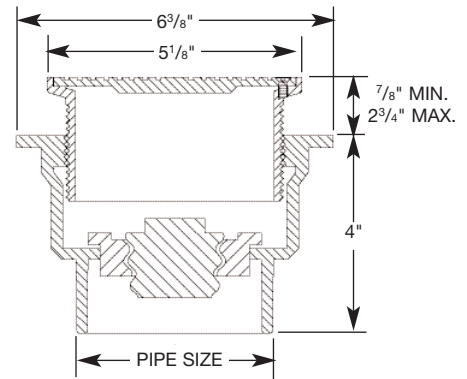
-VP	Vandal Proof Screws	\$6.00
-----	---------------------	--------



Cleanouts

CO12 PVC/ABS Adjustable Floor Cleanout w/Round Top

PVC or ABS adjustable floor cleanout with round nickel bronze, ductile iron, or stainless steel non-skid top, and removable poly cleanout plug.



Model	Pipe Size	Top	List
CO12-2PVC	2" PVC	5" Round NB	\$71.00
CO12-2PVC-DI	2" PVC	5" Round DI	55.00
CO12-2PVC-SS	2" PVC	5" Round SS	112.00
CO12-2ABS	2" ABS	5" Round NB	71.00
CO12-2ABS-DI	2" ABS	5" Round DI	55.00
CO12-2ABS-SS	2" ABS	5" Round SS	112.00
CO12-3PVC	3" PVC	5" Round NB	71.00
CO12-3PVC-DI	3" PVC	5" Round DI	55.00
CO12-3PVC-SS	3" PVC	5" Round SS	112.00
CO12-3ABS	3" ABS	5" Round NB	71.00
CO12-3ABS-DI	3" ABS	5" Round DI	55.00
CO12-3ABS-SS	3" ABS	5" Round SS	112.00
CO12-4PVC	4" PVC	5" Round NB	71.00
CO12-4PVC-DI	4" PVC	5" Round DI	55.00
CO12-4PVC-SS	4" PVC	5" Round SS	112.00
CO12-4ABS	4" ABS	5" Round NB	71.00
CO12-4ABS-DI	4" ABS	5" Round DI	55.00
CO12-4ABS-SS	4" ABS	5" Round SS	112.00

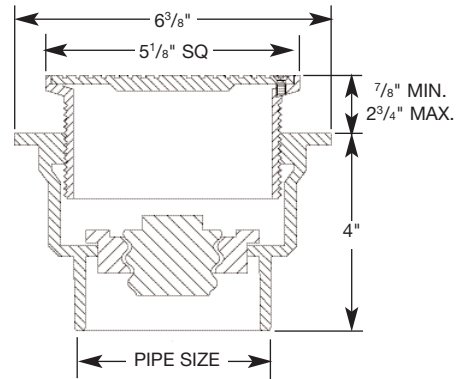
Options

-VP	Vandal Proof Screws	\$6.00
-----	---------------------	--------

Cleanouts

CO12-SQ PVC/ABS Adjustable Floor Cleanout w/Square Top

PVC or ABS adjustable floor cleanout with square nickel bronze, ductile iron, or stainless steel non-skid top, and removable poly cleanout plug.



Model	Pipe Size	Top	List
CO12-2PVC-SQ	2" PVC	5" Square NB	\$103.00
CO12-2PVC-SQ-DI	2" PVC	5" Square DI	84.00
CO12-2PVC-SQ-SS	2" PVC	5" Square SS	139.00
CO12-2ABS-SQ	2" ABS	5" Square NB	103.00
CO12-2ABS-SQ-DI	2" ABS	5" Square DI	84.00
CO12-2ABS-SQ-SS	2" ABS	5" Square SS	139.00
CO12-3PVC-SQ	3" PVC	5" Square NB	103.00
CO12-3PVC-SQ-DI	3" PVC	5" Square DI	84.00
CO12-3PVC-SQ-SS	3" PVC	5" Square SS	139.00
CO12-3ABS-SQ	3" ABS	5" Square NB	103.00
CO12-3ABS-SQ-DI	3" ABS	5" Square DI	84.00
CO12-3ABS-SQ-SS	3" ABS	5" Square SS	139.00
CO12-4PVC-SQ	4" PVC	5" Square NB	103.00
CO12-4PVC-SQ-DI	4" PVC	5" Square DI	84.00
CO12-4PVC-SQ-SS	4" PVC	5" Square SS	139.00
CO12-4ABS-SQ	4" ABS	5" Square NB	103.00
CO12-4ABS-SQ-DI	4" ABS	5" Square DI	84.00
CO12-4ABS-SQ-SS	4" ABS	5" Square SS	139.00

Options

-VP	Vandal Proof Screws	\$6.00
-----	---------------------	--------

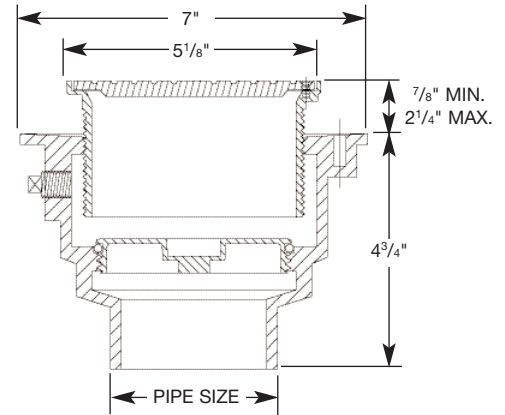
Cleanouts

CO20 Cast Iron Adjustable Floor Cleanout w/Round Top

Cast Iron adjustable floor cleanout with round nickel bronze, ductile iron, or stainless steel non-skid top, and removable gasketed brass cleanout plug.



Model	Pipe Size	Top	List
CO20-2NH	2" No Hub	5" Round NB	\$84.00
CO20-2NH-DI	2" No Hub	5" Round DI	70.00
CO20-2NH-SS	2" No Hub	5" Round SS	120.00
CO20-2PT	2" Push-On	5" Round NB	84.00
CO20-2PT-DI	2" Push-On	5" Round DI	70.00
CO20-2PT-SS	2" Push-On	5" Round SS	120.00
CO20-3NH	3" No Hub	5" Round NB	98.00
CO20-3NH-DI	3" No Hub	5" Round DI	82.00
CO20-3NH-SS	3" No Hub	5" Round SS	132.00
CO20-3PT	3" Push-On	5" Round NB	98.00
CO20-3PT-DI	3" Push-On	5" Round DI	82.00
CO20-3PT-SS	3" Push-On	5" Round SS	132.00
CO20-4NH	4" No Hub	5" Round NB	120.00
CO20-4NH-DI	4" No Hub	5" Round DI	103.00
CO20-4NH-SS	4" No Hub	5" Round SS	156.00
CO20-4PT	4" Push-On	5" Round NB	120.00
CO20-4PT-DI	4" Push-On	5" Round DI	103.00
CO20-4PT-SS	4" Push-On	5" Round SS	156.00



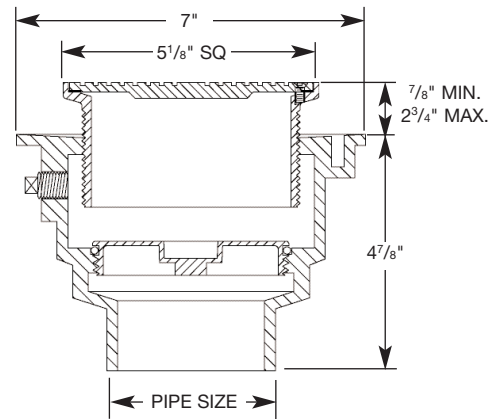
Options

-VP	Vandal Proof Screws	\$6.00
-----	---------------------	--------

Cleanouts

CO20-SQ Cast Iron Adjustable Floor Cleanout w/Square Top

Cast iron adjustable floor cleanout with square nickel bronze, ductile iron, or stainless steel non-skid top, and removable gasketed brass cleanout plug.



Model	Pipe Size	Top	List
CO20-2NH-SQ	2" No Hub	5" Square NB	\$95.00
CO20-2NH-SQ-DI	2" No Hub	5" Square DI	80.00
CO20-2NH-SQ-SS	2" No Hub	5" Square SS	130.00
CO20-2PT-SQ	2" Push-On	5" Square NB	95.00
CO20-2PT-SQ-DI	2" Push-On	5" Square DI	80.00
CO20-2PT-SQ-SS	2" Push-On	5" Square SS	130.00
CO20-3NH-SQ	3" No Hub	5" Square NB	108.00
CO20-3NH-SQ-DI	3" No Hub	5" Square DI	93.00
CO20-3NH-SQ-SS	3" No Hub	5" Square SS	143.00
CO20-3PT-SQ	3" Push-On	5" Square NB	108.00
CO20-3PT-SQ-DI	3" Push-On	5" Square DI	93.00
CO20-3PT-SQ-SS	3" Push-On	5" Square SS	143.00
CO20-4NH-SQ	4" No Hub	5" Square NB	130.00
CO20-4NH-SQ-DI	4" No Hub	5" Square DI	114.00
CO20-4NH-SQ-SS	4" No Hub	5" Square SS	168.00
CO20-4PT-SQ	4" Push-On	5" Square NB	130.00
CO20-4PT-SQ-DI	4" Push-On	5" Square DI	114.00
CO20-4PT-SQ-SS	4" Push-On	5" Square SS	168.00

Options

-VP	Vandal Proof Screws	\$6.00
-----	---------------------	--------

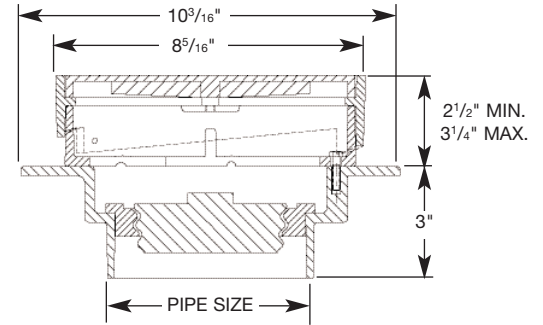
Cleanouts

CO26 8" Dia. Adjustable Floor Cleanout

PVC, ABS, or cast iron floor cleanout with ductile iron or nickel bronze non-skid top, and removable cleanout plug.



Model	Pipe Size	Top	List
CO26-3PVC	3" PVC	8" Round DI	\$193.00
CO26-3PVC-NB	3" PVC	8" Round NB	264.00
CO26-3ABS	3" ABS	8" Round DI	193.00
CO26-3ABS-NB	3" ABS	8" Round NB	264.00
CO26-3NH	3" No Hub	8" Round DI	193.00
CO26-3NH-NB	3" No Hub	8" Round NB	264.00
CO26-3PT	3" Push-On	8" Round DI	193.00
CO26-3PT-NB	3" Push-On	8" Round NB	264.00
CO26-4PVC	4" PVC	8" Round DI	193.00
CO26-4PVC-NB	4" PVC	8" Round NB	264.00
CO26-4ABS	4" ABS	8" Round DI	193.00
CO26-4ABS-NB	4" ABS	8" Round NB	264.00
CO26-4NH	4" No Hub	8" Round DI	193.00
CO26-4NH-NB	4" No Hub	8" Round NB	264.00
CO26-4PT	4" Push-On	8" Round DI	193.00
CO26-4PT-NB	4" Push-On	8" Round NB	264.00
CO26-6NH	6" No Hub	8" Round DI	193.00
CO26-6NH-NB	6" No Hub	8" Round NB	264.00
CO26-6PT	6" Push-On	8" Round DI	193.00
CO26-6PT-NB	6" Push-On	8" Round NB	264.00
CO26-8NH	8" No Hub	8" Round DI	193.00
CO26-8NH-NB	8" No Hub	8" Round NB	264.00



Options

-VP	Vandal Proof Screws	\$9.00
-----	---------------------	--------

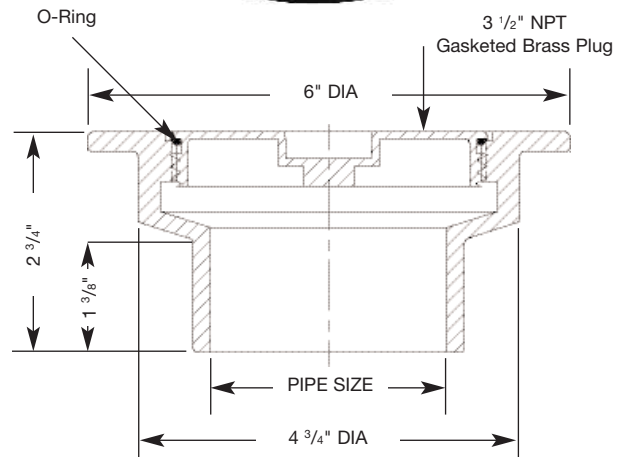
Cleanouts

CO38 Cleanout Ferrule

Cast iron cleanout ferrule with brass plug.



Model	Pipe Size	List
CO38-2NH	2" No Hub	\$28.00
CO38-3NH	3" No Hub	33.00
CO38-4NH	4" No Hub	42.00
CO38-6NH	6" No Hub	91.00



CO41 Floor Access Housing

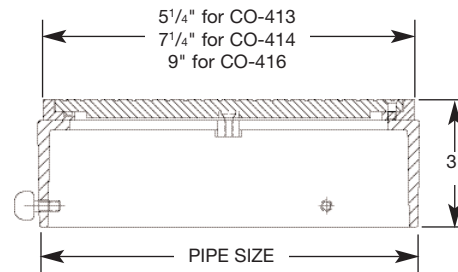
Cast iron floor access housing with ductile iron or nickel bronze cover, and securing screws.



Model	Pipe Size	Top	List
CO-413	3"	Ductile Iron	\$72.00
CO-413-1	3"	NB	84.00
CO-414	4"	Ductile Iron	72.00
CO-414-1	4"	NB	84.00
CO-416	6"	Ductile Iron	93.00
CO-416-1	6"	NB	106.00

Options

-VP	Vandal Proof Screws	\$6.00
-----	---------------------	--------



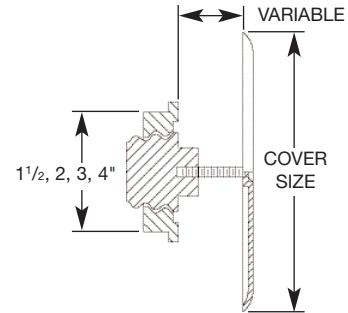
Cleanouts

CO44 Poly Wall Cleanout

Wall cleanout with poly plug with brass insert, SS cover, and vandal-proof SS screw.



Model	Pipe Size	Cover Size	List
CO44-1.5	1 1/2"	5"	\$24.00
CO44-2	2"	5"	27.00
CO44-3	3"	7"	39.00
CO44-4	4"	8"	44.00
CO44-6	6"	10"	94.00

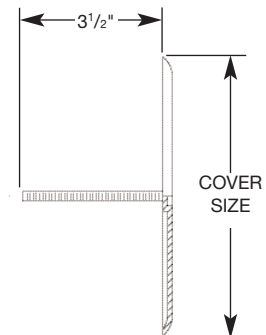


CO48 SS Access cover w/Screw

Stainless steel access cover with vandal proof SS screw.



Model	Cover Size	List
CO48-5	5"	\$11.00
CO48-6	6"	17.00
CO48-7	7"	22.00
CO48-8	8"	33.00
CO48-10	10"	57.00



Cleanouts

CO58 Threaded Brass Plug

Countersunk threaded brass cleanout plug.

Model	Pipe Size	List
CO58-1.5	1 1/2"	\$10.00
CO58-2	2"	12.00
CO58-3	3"	15.00
CO58-4	4"	24.00
CO58-5	5"	43.00
CO58-6	6"	72.00
CO58-8	8"	95.00

Options

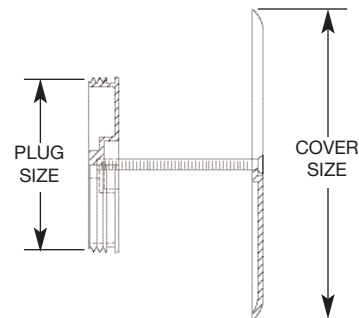
-T	1/4-20 Tapping for Screw	\$6.00
----	--------------------------	--------



CO59 Brass Wall Cleanout w/SS Cover

Wall cleanout with threaded brass plug, SS cover, and vandal-proof SS screw.

Model	Pipe Size	Cover Size	List
CO59-1.5	1 1/2"	5"	\$27.00
CO59-2	2"	5"	28.00
CO59-3	3"	7"	40.00
CO59-4	4"	8"	48.00
CO59-6	6"	10"	96.00



Hydrants

HY1 Non-Freeze Wall Hydrant

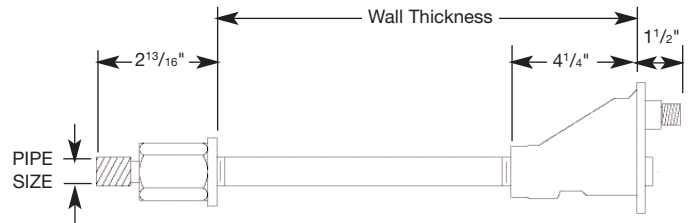
Non-freeze wall hydrant with chrome face, integral vacuum breaker.



Model	Pipe Size	Wall Thickness	List
HY1-4	3/4" FIP or 1" MIP	4"	\$257.00
HY1-6	3/4"	6"	257.00
HY1-8	3/4"	8"	257.00
HY1-10	3/4"	10"	273.00
HY1-12	3/4"	12"	273.00
HY1-14	3/4"	14"	273.00
HY1-16	3/4"	16"	298.00
HY1-18	3/4"	18"	298.00
HY1-20	3/4"	20"	334.00
HY1-22	3/4"	22"	334.00
HY1-24	3/4" FIP or 1" MIP	24"	334.00

Options

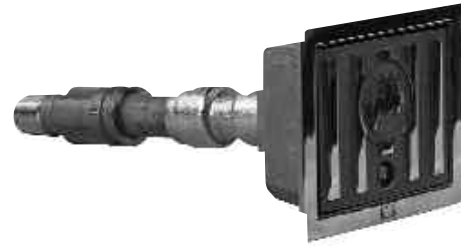
-BP	Back Plate	No Add
-CIA	Complete Internal Assy. (Repair Kit)	\$86.00
HY-1	Loose Key Only	11.00



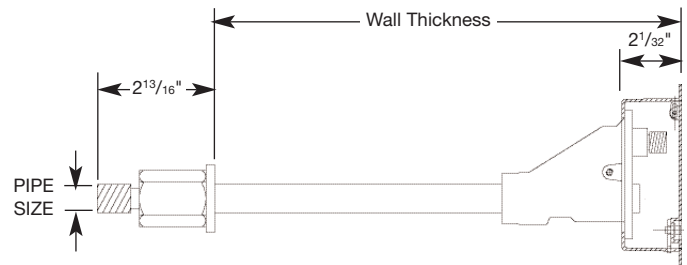
Hydrants

HY2 Concealed Non-Freeze Wall Hydrant

Concealed non-freeze wall hydrant with integral vacuum breaker, and nickel bronze or stainless steel locking box.



Model	Pipe Size	Wall Size	Box	List
HY2-6	3/4" FIP or 1" MIP	6"	NB	\$484.00
HY2-6-SS	3/4" FIP or 1" MIP	6"	SS	507.00
HY2-8	3/4" FIP or 1" MIP	8"	NB	484.00
HY2-8-SS	3/4" FIP or 1" MIP	8"	SS	507.00
HY2-10	3/4" FIP or 1" MIP	10"	NB	484.00
HY2-10-SS	3/4" FIP or 1" MIP	10"	SS	507.00
HY2-12	3/4" FIP or 1" MIP	12"	NB	500.00
HY2-12-SS	3/4" FIP or 1" MIP	12"	SS	523.00
HY2-14	3/4" FIP or 1" MIP	14"	NB	500.00
HY2-14-SS	3/4" FIP or 1" MIP	14"	SS	523.00
HY2-16	3/4" FIP or 1" MIP	16"	NB	500.00
HY2-16-SS	3/4" FIP or 1" MIP	16"	SS	523.00
HY2-18	3/4" FIP or 1" MIP	18"	NB	525.00
HY2-18-SS	3/4" FIP or 1" MIP	18"	SS	548.00
HY2-20	3/4" FIP or 1" MIP	20"	NB	525.00
HY2-20-SS	3/4" FIP or 1" MIP	20"	SS	548.00
HY2-22	3/4" FIP or 1" MIP	22"	NB	562.00
HY2-22-SS	3/4" FIP or 1" MIP	22"	SS	585.00
HY2-24	3/4" FIP or 1" MIP	24"	NB	562.00
HY2-24-SS	3/4" FIP or 1" MIP	24"	SS	585.00



Options

-BP	Back Plate	No Add
-CIA	Complete Internal Assy. (Repair Kit)	\$86.00
-KL	Cylinder Key Lock	87.00
HY-1	Loose Key Only	11.00

HY4 Moderate Climate Wall Hydrant

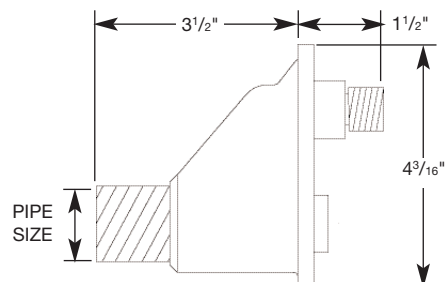
Moderate climate wall hydrant with chrome face, integral vacuum breaker.



Model	Pipe Size	List
HY4	3/4" FIP or 1" MIP	\$198.00

Options

-CIA	Complete Internal Assy. (Repair Kit)	\$86.00
------	--------------------------------------	---------



Hydrants

HY5 Concealed Moderate Climate Wall Hydrant

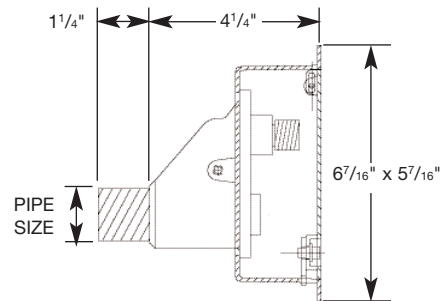
Moderate climate wall hydrant with integral vacuum breaker, and nickel bronze or stainless steel locking box.



Model	Pipe Size	Box	List
HY5	3/4" FIP or 1" MIP	NB	\$427.00
HY5-3	3/4" FIP or 1" MIP	SS	450.00

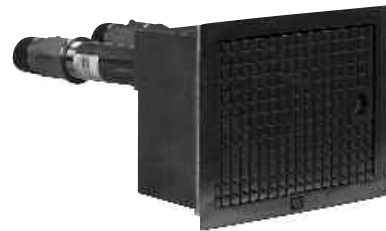
Options

-CIA	Complete Internal Assy. (Repair Kit)	\$86.00
-KL	Cylinder Key Lock	87.00



HY8 Dual-Temp Wall Hydrant

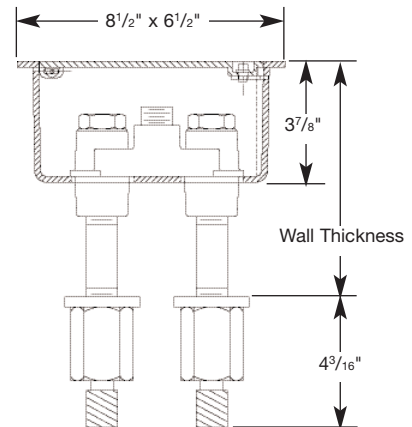
Concealed non-freeze dual-temp wall hydrant with hot and cold connections, and nickel bronze locking box.



Model	Pipe Size	Wall Size	List
HY8-6	3/4" FIP or 1" MIP	6"	\$1013.00
HY8-8	3/4"	8"	1013.00
HY8-10	3/4"	10"	1057.00
HY8-12	3/4"	12"	1057.00
HY8-14	3/4"	14"	1057.00
HY8-16	3/4"	16"	1100.00
HY8-18	3/4" FIP or 1" MIP	18"	1100.00

Options

-CIA	Complete Internal Assy. (Repair Kit)	\$168.00
-KL	Cylinder Key Lock	128.00
-VB	Vacuum Breaker	47.00



Shower Drains

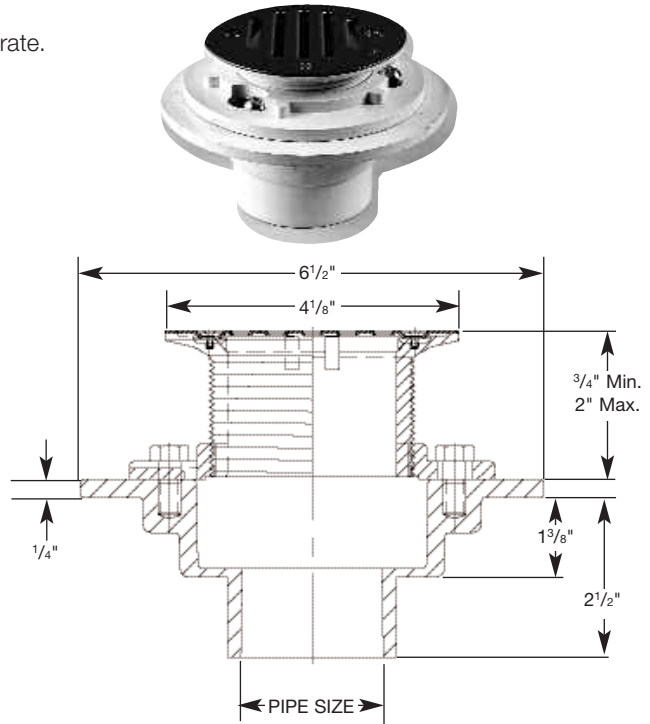
SD Shower Floor Drain

PVC, ABS, or cast iron shower floor drain with stainless steel safety grate.

Model	Pipe Size	Grate	List
SD-2PVC	2" PVC	SS	\$18.00
SD-2ABS	2" ABS	SS	18.00
SD-2NH	2" No Hub	SS	18.00
SD-2THD	2" Threaded	SS	18.00
SD-3NH	3" No Hub	SS	18.00

Options

-PB	Polished Brass Grate	\$14.00
-X	Body with Tapered Flange	No Add



SDCP/SDNB/SDPB

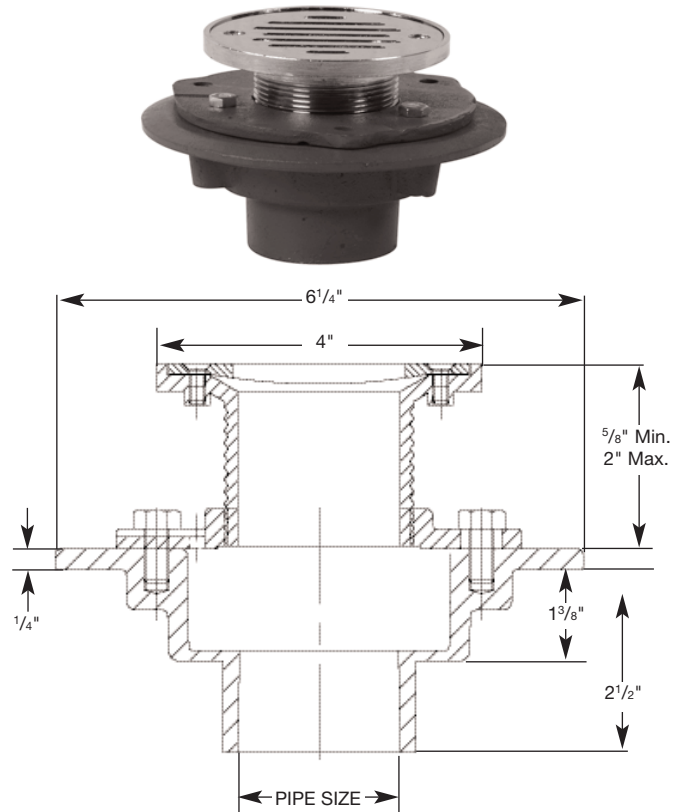
Heavy Duty Shower Floor Drain

PVC, ABS, or cast iron shower floor drain with heavy duty chrome plated brass, nickel bronze, or polished brass strainer assembly.

Model	Pipe Size	Grate	List
SDCP-2PVC	2" PVC	Chrome Plated	\$46.00
SDNB-2PVC	2" PVC	Nickel Bronze	59.00
SDNB-2PVC-SQ	2" PVC	Sq. Nickel Bronze	70.00
SDPB-2PVC	2" PVC	Polished Brass	46.00
SDCP-2ABS	2" ABS	Chrome Plated	46.00
SDNB-2ABS	2" ABS	Nickel Bronze	59.00
SDNB-2ABS-SQ	2" ABS	Sq. Nickel Bronze	70.00
SDPB-2ABS	2" ABS	Polished Brass	46.00
SDCP-2NH	2" No Hub	Chrome Plated	46.00
SDNB-2NH	2" No Hub	Nickel Bronze	59.00
SDNB-2NH-SQ	2" No Hub	Sq. Nickel Bronze	70.00
SDPB-2NH	2" No Hub	Polished Brass	46.00
SDCP-2THD	2" Threaded	Chrome Plated	46.00
SDNB-2THD	2" Threaded	Nickel Bronze	59.00
SDNB-2THD-SQ	2" Threaded	Sq. Nickel Bronze	70.00
SDPB-2THD	2" Threaded	Polished Brass	46.00

Options

-X	Body with Tapered Flange	No Add
----	--------------------------	--------

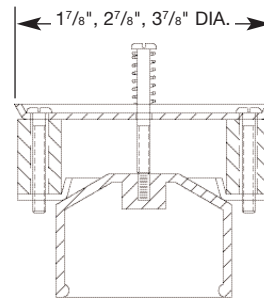


Specialties

BV Internal Backwater Valve

Bronze backwater valve neoprene seal and float, stainless steel light tension spring.

Model	Pipe Size	List
BV2	2"	\$43.00
BV3	3"	43.00
BV4	4"	43.00



PS Plastic Pipe Sleeve

Copolymer black polypropylene pipe sleeve.

Model	Pipe Size	List
PS-1.5	1 1/2"	\$2.20
PS-2	2"	2.40
PS-3	3"	3.40
PS-4	4"	4.50
PS-5	5"	5.70
PS-6	6"	6.50
PS-8	8"	8.80
PS-10	10"	12.80
PS-12	12"	15.30

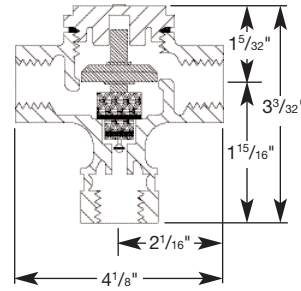


Specialties

TSP Trap Seal Primer

Cast bronze flow activated trap seal primer with vacuum breaker.

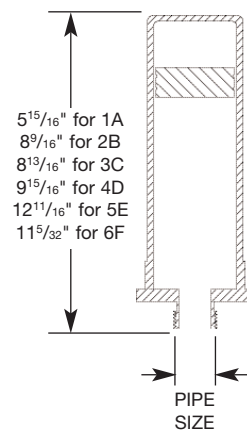
Model	Pipe Size	List
TSP	1/2" Sweat	\$54.00
TSP-T	1/2" Threaded	54.00



WHA Water Hammer Arrestor

PDI Certified pre-charged drawn copper water hammer arrestor.

Model	Pipe Size	List
WHA-1A	1/2"	\$48.00
WHA-2B	3/4"	59.00
WHA-3C	1"	142.00
WHA-4D	1"	175.00
WHA-5E	1"	224.00
WHA-6F	1"	356.00



For Technical Assistance Call Your Authorized Watts Drainage Representative.

		Telephone	E-mail
	Headquarters: Watts Drainage Products 100 Watts Road, Spindale, NC 28160	800 338-2581	watts@wattswater.com
North East	Edwards, Platt & Deely, Inc.	277 Royal Ave., Hawthorne, NJ 07506	973 427-2898 p044@watts.com
	Edwards, Platt & Deely, Inc.	368 Wyandanch Ave., North Babylon, NY 11703	631 253-0600 p073@watts.com
	J. B. O'Connor Company, Inc.	202 Commerce Blvd., Lawrence, PA 15055	724 745-5300 p047@watts.com
	Robert Burns Associates	4009-B Market St., Aston, PA 19014	610 497-1722 mark@rburnsassoc.com
	W. P. Haney Company, Inc.	51 Norfolk Ave., South Easton, MA 02375	508 238-2030 p088@watts.com
Mid Atlantic	Disney McLane & Associates	428 McGregor Ave., Cincinnati, OH 45206	800 542-1682 p017@watts.com
	E.J. Dwyer Co.	10910 Pump House Road, Annapolis Junction, MD 20701	240-553-0112 wattsspecificationsales@ejdwyer.com
	RMI	2533 Mechanicsville Tpk., Richmond, VA 23223	804 643-7355 rmi@ricmrk.com
	WMS Sales, Inc. (Main office)	9580 County Rd., Clarence Center, NY 14032	716 741-9575 p091@watts.com
South East	Billingsley & Associates, Inc.	2728 Crestview Ave., Kenner, LA 70062-4829	504 602-8100 p013@watts.com
	Billingsley & Associates, Inc.	478 Cheyenne Lane, Madison, MS 39110	601 856-7565 ckenny@billingsley.com
	Francisco J. Ortiz & Co., Inc.	Charlyn Industrial Pk., Road 190 KM1.9 - Lot #8, Carolina, Puerto Rico 00983	787 769-0085 p029@watts.com
	Harry Warren, Inc.	1400 North Orange Blossom Trail, Orlando, FL 32804	407 841-9237 p071@watts.com
	Harry Warren, Inc.	2861-B Bankers Industrial Drive, Atlanta, GA 30360	770 209-3310 p059@watts.com
	Mid-America Marketing, Inc.	203 Industrial Drive, Birmingham, AL 35211	205 879-3469 p032@watts.com
	Mid-America Marketing, Inc.	2611 Grandview Avenue, Nashville, TN 37211	615 259-9944 john@midamericamktg.com
	Mid-America Marketing, Inc. Smith & Stevenson Co., Inc.	5466 Old Hwy. 78, Memphis, TN 38118 4935 Chastain Ave., Charlotte, NC 28217	901 795-0045 sales@midamericamktg.com 704 525-3388 p003@watts.com
North Central	Dave Watson Associates	1325 West Beecher, Adrian, MI 49221	517 263-8988 p085@watts.com
	Mid-Continent Marketing Services Ltd.	1275 Lakeside Drive, Romeoville, IL 60446	630 953-1211 p072@watts.com
	Process & Mechanical Systems, Inc.	1343 East Wisconsin Ave., Suite 114, Pewaukee, WI 53072	262 691-9991 sales@pmsireps.com
	Soderholm & Associates, Inc. Soderholm & Associates, Inc.	7150 143rd Ave. N.W., Anoka, MN 55303 W140 N5086 Lilly Road, Menomonee Falls, WI 53051	763 427-9635 company@soderholmrep.com 763 427-9635 company@soderholmrep.com
South Central	Hugh M. Cunningham, Inc.	13755 Benchmark, Dallas, TX 75234	972 888-3808 p031@watts.com
	Sandia Group, Inc.	3167 San Mateo #308, Albuquerque, NM 87110	800 339-0191 p031@watts.com
	Mack McClain & Associates, Inc.	4407 Meramec Bottom, Suite G, St. Louis, MO 63129	314 894-8188 p045@watts.com
	Mack McClain & Associates, Inc.	1045 76th St., Suite 1000, West Des Moines, IA 50266	515 288-0184 p049@watts.com
	Mack McClain & Associates, Inc. OK! Sales, Inc.	15090 West 116th St., Olathe, KS 66062 214 NE 12th. St., Ste A, Moore, OK 73160	913 339-6677 p083@watts.com 405 794-5200 oksales@coxinet.net
Western	Delco Sales, Inc.	1930 Raymer Ave., Fullerton, CA 92833	714 888-2444 sales@delcosales.com
	Delco Sales, Inc.	111 Sand Island Access Rd., Unit I-4, Honolulu, HI 96819	808 842-7900 p021@watts.com
	Fanning & Associates, Inc.	6765 Franklin St., Denver, CO 80229-7111	303 289-4191 sales@fanningandassociates.com
	Hollabaugh Brothers & Associates	6915 South 194th St., Kent, WA 98032	253 867-5040 p001@watts.com
	Hollabaugh Brothers & Associates	3028 S.E. 17th Ave., Portland, OR 97202	503 238-0313 p006@watts.com
	P I R Sales, Inc.	3050 North San Marcos Place, Chandler, AZ 85225	480 892-6000 sales@pirsales.com
	REPCOR R. E. Fitzpatrick Sales, Inc.	2455 Mercantile Drive, Ste.100, Rancho Cordova, CA 95742 4109 West Nike Dr. (8250 South), West Jordan, UT 84088	916 386-2233 sales@repcor1.com 801 282-0700 p007@watts.com

1207



A Watts Water Technologies Company



USA: 100 Watts Road, Spindale, NC, 28160-2298; www.watts.com

Canada: 5435 North Service Rd., Burlington, ON, L7L 5H7; www.wattscanada.ca