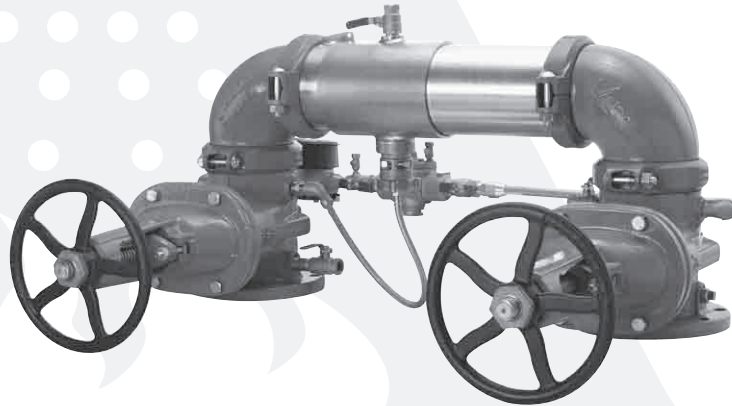




# Colt™ Series C500, C500N, C500Z

## Reduced Pressure Detector Assemblies

Sizes: 2½" – 10" (65 – 250mm)



C500N OSY

### Features

- Extremely Compact Design
- 70% Lighter than Traditional Designs
- 304 (Schedule 40) Stainless Steel Housing & Sleeve
- Groove Fittings Allow Integral Pipeline Adjustment
- Patented Link Check Provides Lowest Pressure Loss
- Unmatched Ease of Serviceability
- Replaceable Check Disc Rubber
- Available with Grooved Butterfly Valve Shutoffs
- Bottom Mounted Cast Stainless Steel Relief Valve
- Metered Bypass to Detect Leakage or Theft of Water from the Fire Sprinkler System

The Colt C500, C500N, C500Z Reduced Pressure Detector Assemblies provide protection to the potable water system from contamination in accordance with national plumbing codes. The Colt C500, C500N, C500Z are normally used in health-hazard applications to protect against backsiphonage, backpressure and the fouling of either check valve. The Colt C500, C500N, C500Z are used to monitor unauthorized use of water from the fire protection system.

### Specifications

The Colt C500, C500N, C500Z Reduced Pressure Detector Assemblies shall consist of two independent Link Check modules, a differential pressure relief valve located between and below the two modules, two drip tight shutoff valves, and required test cocks. Link Check modules and relief valve shall be contained within a sleeve accessible single housing constructed from 304 (Schedule 40) stainless steel pipe with groove end connections. Link Checks shall have reversible elastomer discs and in operation produce drip tight closure against the reverse flow of liquid caused by backpressure or backsiphonage. The bypass assembly consists of a meter registering either gallon or cubic measurements, a reduced pressure zone assembly and required test cocks. Assembly shall be Colt C500, C500N, C500Z as manufactured by the Ames Company.

---

Job Name \_\_\_\_\_ Contractor \_\_\_\_\_  
 Job Location \_\_\_\_\_ Approval \_\_\_\_\_  
 Engineer \_\_\_\_\_ Contractor's P.O. No. \_\_\_\_\_  
 Approval \_\_\_\_\_ Representative \_\_\_\_\_

*Ames product specifications in U.S. customary units and metric are approximate and are provided for reference only. For precise measurements, please contact Ames Technical Service. Ames reserves the right to change or modify product design, construction, specifications, or materials without prior notice and without incurring any obligation to make such changes and modifications on Ames products previously or subsequently sold.*

## Configurations

- Horizontal
- “Z” pattern horizontal
- “N” pattern horizontal

## Materials

- Housing & Sleeve: 304 (Schedule 40) Stainless Steel
- Elastomers: EPDM, Silicone and Buna ‘N’
- Link Checks: Noryl®, Stainless Steel
- Check Discs: Reversible Silicone or EPDM
- Test Cocks: Bronze Body Nickel Plated
- Pins & Fasteners: 300 Series Stainless Steel
- Springs: Stainless Steel

## Available Models

Suffix:

OSY - UL/FM outside stem and yoke resilient seated gate valves

BFG - UL/FM grooved gear operated butterfly valves w/tamper switch

\*OSY FxG - Flanged inlet gate connection and grooved outlet gate connection

\*OSY GxG - Grooved inlet gate connection and flanged outlet gate connection

\*OSY GxG - Grooved inlet gate connection and grooved outlet gate connection

Available with grooved NRS gate valves - consult factory\*

Post indicator plate and operating nut available - consult factory\*

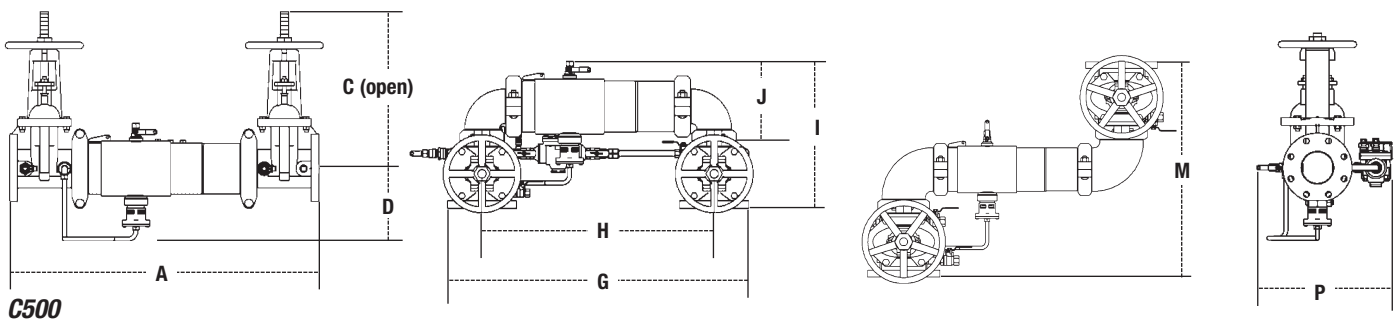
\*Consult factory for dimensions

## Pressure — Temperature

Temperature Range: 33°F – 140°F (0.5°C – 60°C)

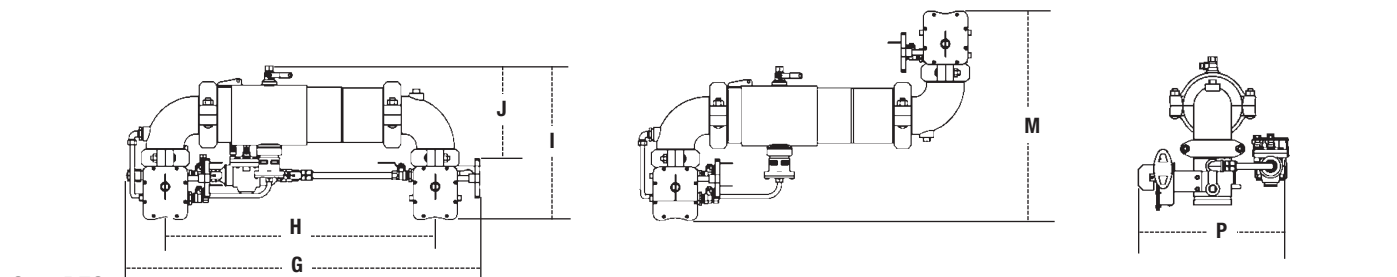
Maximum Working Pressure: 175psi (12.1 bar)

## Dimensions — Weights



**C500**

SIZE (DN)		DIMENSIONS										WEIGHT											
in.	mm	A		C (OSY)		D		G		H		I		J		M		P		C500	C500N		
		in.	mm	in.	mm	in.	mm	in.	mm	in.	mm	in.	mm	in.	mm	in.	mm	in.	mm	lbs.	kgs.	lbs.	kgs.
2½	65	31	787	16¾	416	6½	165	29½	738	21½	546	15½	393	8½	223	21¾	548	13¾	335	142	64	150	68
3	80	31½	805	18¾	479	6½	170	30¼	768	22¼	565	17½	435	9½	233	23½	587	14½	368	162	73	175	79
4	100	33½	851	22¾	578	7	178	33	838	23½	597	18½	470	9½	252	26½	673	15½	366	178	81	201	91
6	150	44	1118	30¾	765	8½	216	44¾	1137	33¾	857	23¾	589	13½	332	32¾	832	19	483	312	142	353	160
8	200	50	1270	37¾	959	9½	246	54¾	1375	40¾	1032	27½	697	15½	399	37½	943	21¾	538	497	225	572	259
10	250	57½	1461	45¾	1162	11½	285	66	1676	50	1270	32½	826	17½	440	46¾	1178	24	610	797	362	964	437



**C500BFG**

SIZE (DN)		DIMENSIONS								WEIGHT					
in.	mm	G		H		I		J		M		P		C500BFG	
		in.	mm	in.	mm	in.	mm	in.	mm	in.	mm	in.	mm	lbs.	kgs.
2½	65	32½	826	21½	546	15½	394	9½	241	21¾	555	15½	402	81	37
3	80	34	864	22¼	565	16½	414	10½	256	23½	587	16½	410	84	38
4	100	35¾	905	23½	597	17¾	437	10½	279	24½	634	16¾	422	101	46
6	150	46½	1181	33¾	857	20½	521	13½	343	28¼	718	19	483	174	79

Noryl® is a registered trademark of SABIC Innovative Plastics™.

# Approvals



For additional approval information please contact the factory or visit our website at [www.amesfirewater.com](http://www.amesfirewater.com)

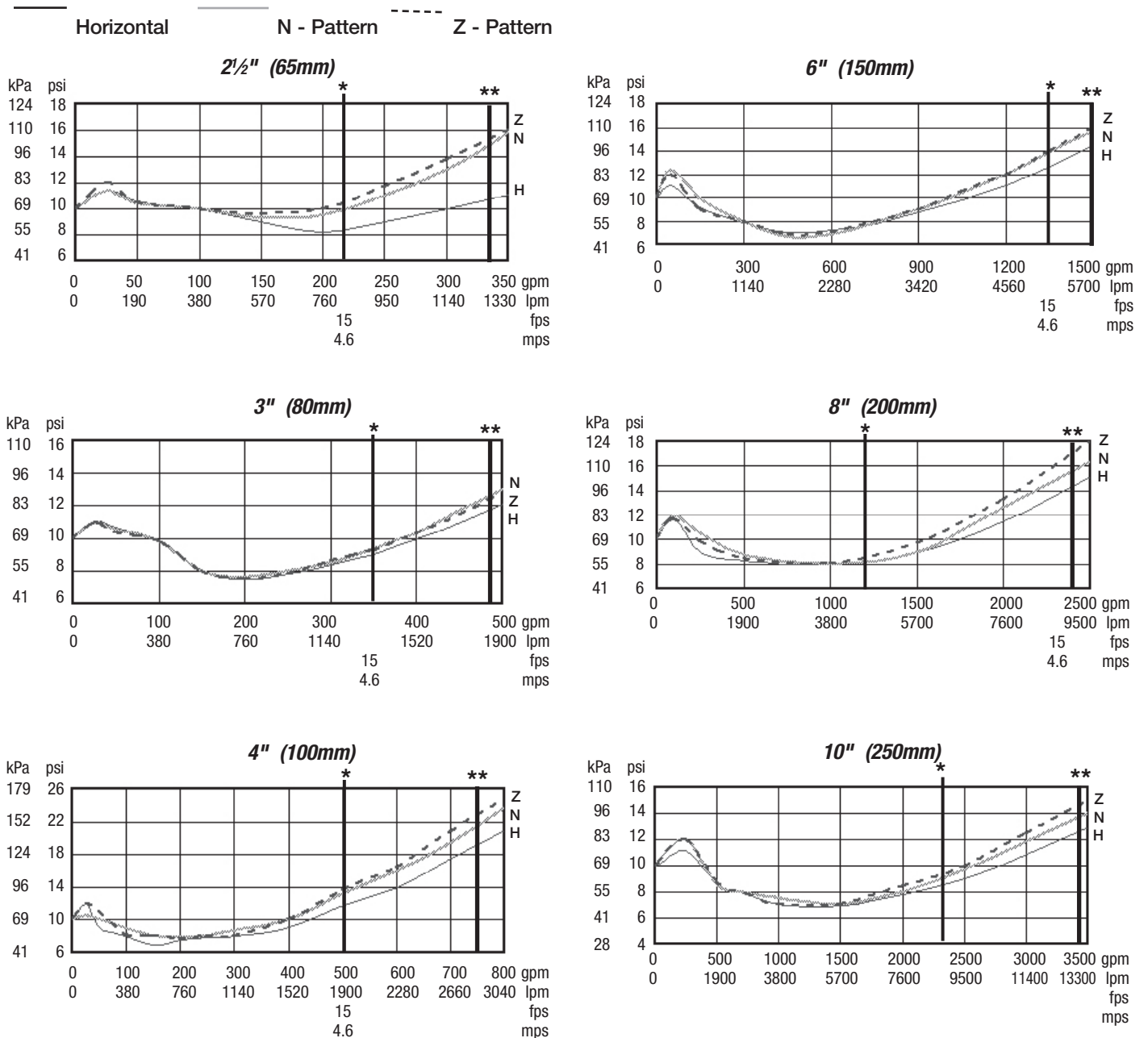
## Capacity

UL/FM Certified Flow Characteristics

N&Z Flow characteristics collected using butterfly shutoff valves.

See literature S-Colt-400, 500 for gate valve flow characteristics

\* = Rated Flow \*\* = UL Tested



**IMPORTANT: INQUIRE WITH GOVERNING AUTHORITIES FOR LOCAL INSTALLATION REQUIREMENTS**

For additional information, visit our web site at: [www.amesfirewater.com](http://www.amesfirewater.com)



[www.amesfirewater.com](http://www.amesfirewater.com)



A Watts Water Technologies Company

**USA: Backflow-** Tel: (916) 928-0123 • Fax: (916) 928-9333

**Control Valves-** Tel: (713) 943-0688 • Fax: (713) 944-9445

**Canada:** Tel: (905) 332-4090 • Fax: (905) 332-7068

ES-A-C500/C500N/C500Z 1151

© 2012 Ames Fire & Waterworks