



# Shutoff Valve Options

The Colt/Maxim series is a Backflow Preventer Shutoff valve for all your installation requirements. Typically, most backflow prevention manufacturers have provided limited types of shutoff valves. Ames Company is pleased to be the first company to offer a wide variety of shutoff valves to meet your installation requirements. From grooved butterfly valves, to valves equipped with 2" (51mm) operating nut and post indicator plate, the Ames Company Colt/Maxim Series offers the greatest flexibility in design.

## Inlet Options

## Outlet Options



Job Name \_\_\_\_\_ Contractor \_\_\_\_\_

Job Location \_\_\_\_\_ Approval \_\_\_\_\_

Engineer \_\_\_\_\_ Contractor's P.O. No. \_\_\_\_\_

Approval \_\_\_\_\_ Representative \_\_\_\_\_

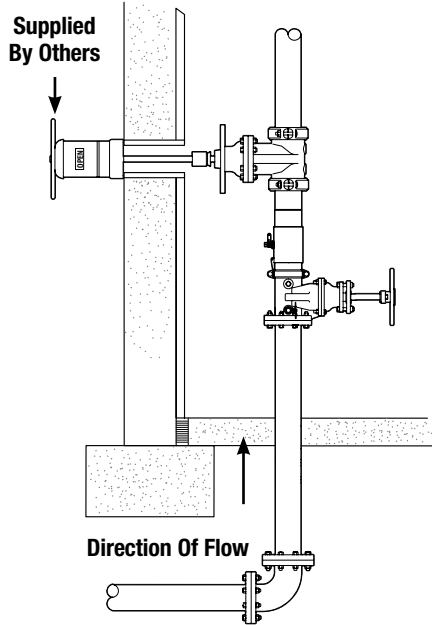
Ames product specifications in U.S. customary units and metric are approximate and are provided for reference only. For precise measurements, please contact Ames Technical Service. Ames reserves the right to change or modify product design, construction, specifications, or materials without prior notice and without incurring any obligation to make such changes and modifications on Ames products previously or subsequently sold.

## ■ Installation Considerations

The installation should be installed with adequate clearance around the valve to allow for inspection, testing, and servicing. A 12" (305mm) minimum clearance is required between the lower portion of the assembly, and the floor or grade. The valve should be protected from freezing. Normal discharge and nuisance spitting are accommodated by the use of an Ames air gap fitting and a fabricated indirect waste line. Floor drains of the same size must be provided in case of excessive discharge. PIV gate valve available in 3"-10" (80-250mm) sizes.

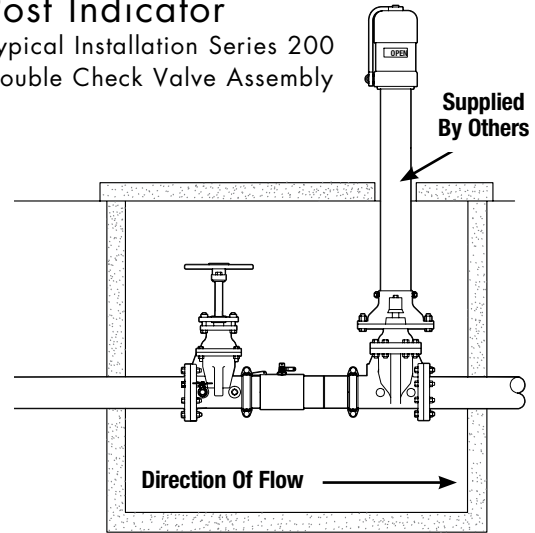
## ■ Wall Post

Typical Installation Series 200  
Double Check Valve Assembly



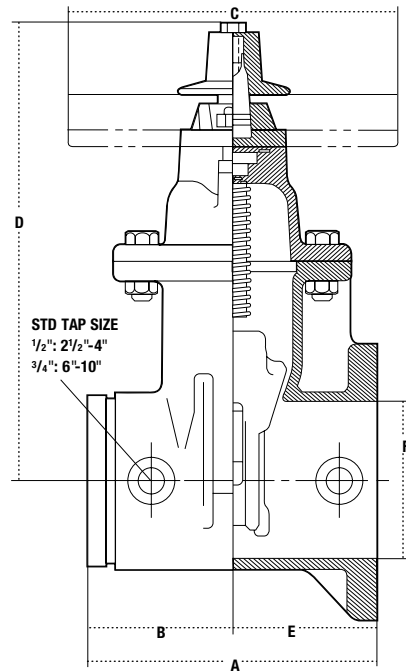
## ■ Post Indicator

Typical Installation Series 200  
Double Check Valve Assembly



## ■ Dimensions

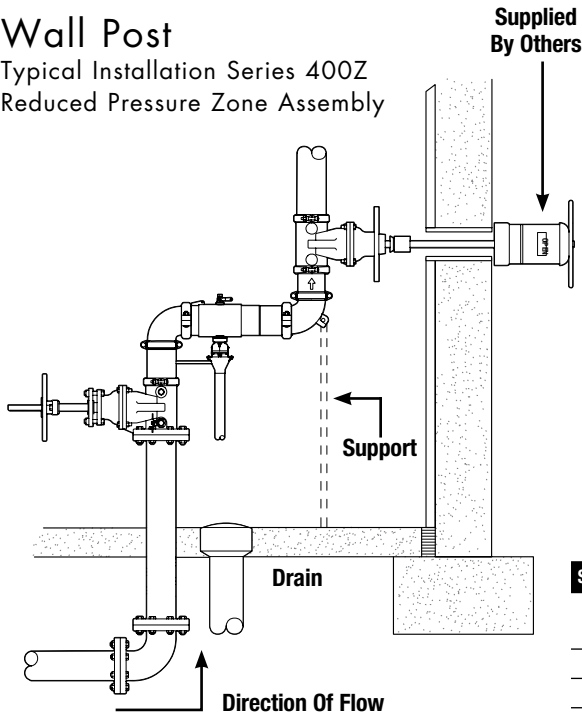
3"-10" (80-250mm) Groove x Flange



SIZE (DN)		DIMENSIONS											
in	mm	A	B	C	D	E	F						
in	mm	in	mm	in	mm	in	mm						
3	80	8	203	4	101	12 <sup>3</sup> / <sub>8</sub>	314	4	101	3	76		
4	100	9	229	4 <sup>1</sup> / <sub>2</sub>	114	12	254	14 <sup>3</sup> / <sub>4</sub>	375	4 <sup>1</sup> / <sub>2</sub>	114	4 <sup>1</sup> / <sub>4</sub>	108
6	150	10 <sup>1</sup> / <sub>2</sub>	267	5 <sup>1</sup> / <sub>4</sub>	133	12	305	19	483	5 <sup>1</sup> / <sub>4</sub>	133	6 <sup>1</sup> / <sub>4</sub>	159
8	200	11 <sup>1</sup> / <sub>2</sub>	292	5 <sup>3</sup> / <sub>4</sub>	146	12	356	22 <sup>1</sup> / <sub>2</sub>	572	5 <sup>3</sup> / <sub>4</sub>	146	8 <sup>1</sup> / <sub>4</sub>	210
10	250	13	330	6 <sup>1</sup> / <sub>2</sub>	165	12	305	26 <sup>1</sup> / <sub>2</sub>	673	6 <sup>3</sup> / <sub>4</sub>	171	10 <sup>1</sup> / <sub>4</sub>	260

## ■ Wall Post

Typical Installation Series 400Z  
Reduced Pressure Zone Assembly



A Watts Water Technologies Company

www.amesfirewater.com



ISO 9001-2008  
CERTIFIED

USA: Backflow- Sacramento, CA • Tel: (916) 928-0123 • Fax: (916) 928-9333

Control Valves- Houston, TX • Tel: (713) 943-0688 • Fax: (713) 944-9445

Canada: Burlington, ON • Tel: (905) 332-4090 • Fax: (905) 332-7068