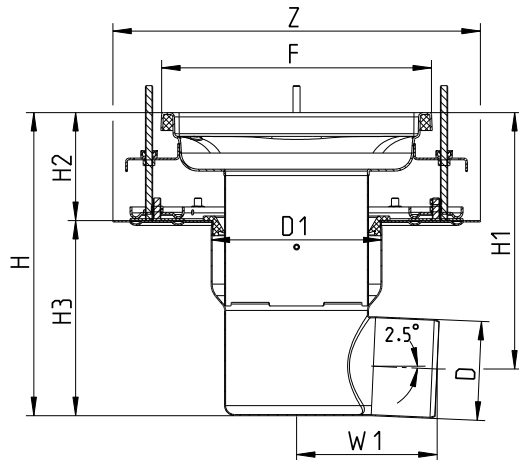


**SPECIFICATION:** BLÜCHER BFD-140-SO AISI Type 304 stainless steel adjustable floor drain with 12"x12" (300x300) square top, membrane clamping flange, 1/8" (3) grating (standard), and no hub side outlet.



Side Outlet



**Dimensional Chart**

Model No.	Pipe Size D	D1	Top Size F	Z	H Adjustable	H1 Adjustable	H2 Adjustable	H3	W1
BFD-143-SO	3"(75)	7-1/2"(190)	12"x12"(300x300)	16-1/8"(409)	13-1/4"(337)- 15-5/8"(397)	12"(304)-14- 5/16"(364)	4-3/4"(120)-7- 1/16"(180)	8-9/16"(217)	9-15/16"(253)
BFD-144-SO	4"(110)	7-1/2"(190)	12"x12"(300x300)	16-1/8"(409)	13-1/4"(337)- 15-5/8"(397)	11-1/4"(285)- 15-9/16"(345)	4-3/4"(120)-7- 1/16"(180)	8-9/16"(217)	6-3/16"(156)

Optional Gratings			
	Suffix	Description	
	-None	1/8" (Standard)	<input type="checkbox"/>
	-HG	Hygenic-Pro	<input type="checkbox"/>
	-LG	Ladder	<input type="checkbox"/>
	-MG	Mesh	<input type="checkbox"/>
	-SG	Slot	<input type="checkbox"/>

Options		
Suffix	Description	
-316	Type 316 Stainless Steel	<input type="checkbox"/>
-B	Sediment Basket	<input type="checkbox"/>
-P	Stainless Steel P-Trap	<input type="checkbox"/>
-SB	Sand Bucket	<input type="checkbox"/>
-TPT	Trap Primer Tapping	<input type="checkbox"/>
-VP	Grate Secured w/Vandal Proof Screws	<input type="checkbox"/>
-W	Water Trap	<input type="checkbox"/>

Job Name \_\_\_\_\_ Contractor \_\_\_\_\_  
 Job Location \_\_\_\_\_ Approval \_\_\_\_\_  
 Engineer \_\_\_\_\_ Contractor's P.O. No. \_\_\_\_\_  
 Approval \_\_\_\_\_ Representative \_\_\_\_\_