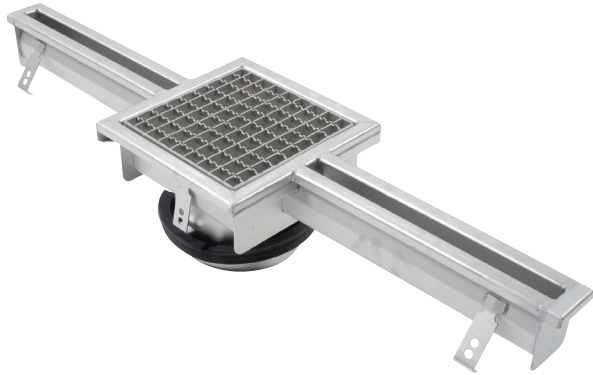
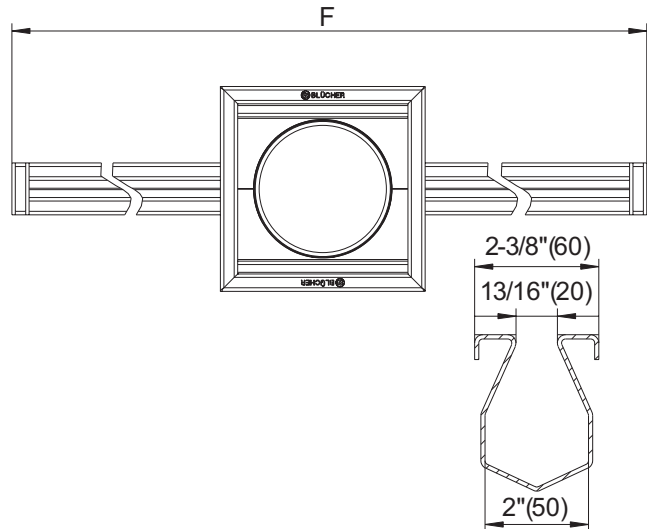
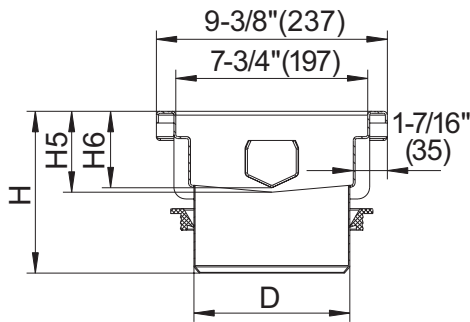


Tag: _____

SPECIFICATION: BLÜCHER Series BTS AISI Type 304 stainless steel slot channel, 2-3/8" (60) wide x (specify) long, with .5% longitudinal slope and 130 degree cross fall, 13/16" (20) wide drainage slot, and 8"x8" (200x200) outlet box with no hub outlet.



Options		
Suffix	Description	
-316	Type 316 Stainless Steel	<input type="checkbox"/>
-B	Sediment Basket	<input type="checkbox"/>
-P	Stainless Steel P-Trap	<input type="checkbox"/>
-SB	Sand Bucket (6" (160) Outlet Only)	<input type="checkbox"/>



Dimensional Chart

Model No.	Pipe Size <i>D</i>	Length <i>F</i>	<i>H</i>	<i>H5</i>	<i>H6</i>
Series BTS	Specify	Specify	6-9/16" (166)	3-3/8" (85)	3-1/8" (78)

Job Name _____ Contractor _____

Job Location _____ Approval _____

Engineer _____ Contractor's P.O. No. _____

Approval _____ Representative _____



A Watts Water Technologies Company



USA: 100 Watts Road, Spindale, NC, 28160-2298; www.blucherdrains.com

Canada: 5435 North Service Rd., Burlington, ONT. L7L 5H7; www.blucherdrains.ca