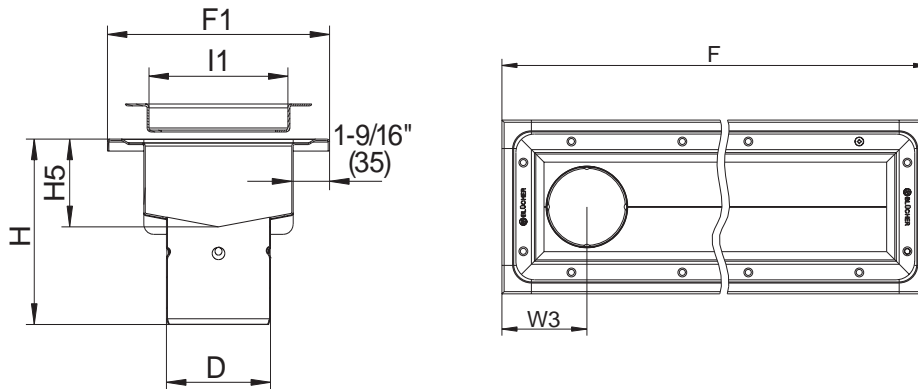


SPECIFICATION: BLÜCHER Series BTV8 AISI Type 304 stainless steel pre-sloped trench drain w/surface membrane clamp for vinyl flooring, 8" (200) wide with 1% longitudinal slope and 160 degree cross fall, 1" (25) thick mesh grating, and no hub outlet.

Optional Grating:		
Suffix	Description	
-HG	Hygenic-Pro Grating	<input type="checkbox"/>
-LG	Ladder Grating	<input type="checkbox"/>

Options		
Suffix	Description	
-316	Type 316 Stainless Steel	<input type="checkbox"/>
-B	Sediment Basket	<input type="checkbox"/>
-LD	Gate Locking Device	<input type="checkbox"/>
-P	Stainless Steel P-Trap	<input type="checkbox"/>
-SB	Sand Bucket (6" (160) Outlet Only)	<input type="checkbox"/>



Dimensional Chart

Model No.	Pipe Size	Length	F1	H	H5	I1	W3
Series BTV8	Specify	Specify	11-1/4" (285)	6-3/4" (171)	3-9/16" (90)	7-3/4" (191)	5-3/8" (135)

Job Name _____ Contractor _____
 Job Location _____ Approval _____
 Engineer _____ Contractor's P.O. No. _____
 Approval _____ Representative _____



A Watts Water Technologies Company



USA: 100 Watts Road, Spindale, NC, 28160-2298; www.blucherdrains.com
 Canada: 5435 North Service Rd., Burlington, ONT. L7L 5H7; www.blucherdrains.ca