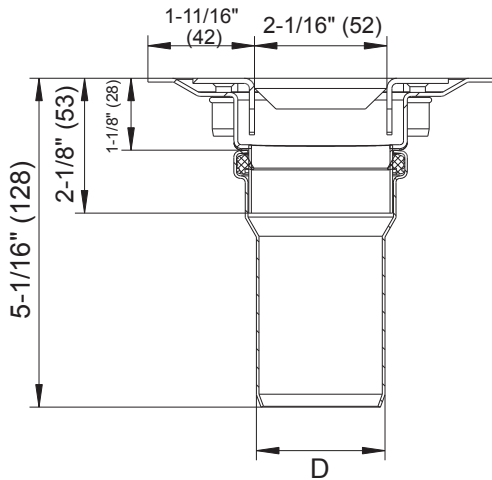




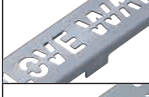

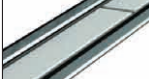


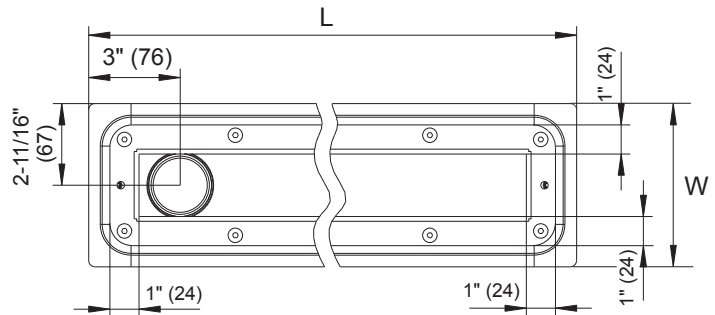
**SPECIFICATION:** BLÜCHER BWS-200 AISI Type 304 stainless steel 5-3/8" (135) wide x (specify) long WaterLine shower channel with surface membrane clamp for vinyl flooring, Vienna grating (standard), and no hub bottom outlet.



Optional Gratings			
	Suffix	Description	
	-None	Vienna (Standard)	<input type="checkbox"/>
	-A	Athens	<input type="checkbox"/>
	-C	Copenhagen	<input type="checkbox"/>
	-D	Detroit	<input type="checkbox"/>
	-N	New York	<input type="checkbox"/>
	-O	Oslo	<input type="checkbox"/>
	-T	Tokyo	<input type="checkbox"/>

#### Dimensional Chart

Model	Pipe Size D	Top Size W x L
BWS-228	2" (50)	5-3/8" x 27-1/2" (135 x 700)
BWS-232	2" (50)	5-3/8" x 31-1/2" (135 x 800)
BWS-236	2" (50)	5-3/8" x 35-1/2" (135 x 900)
BWS-240	2" (50)	5-3/8" x 39-1/2" (135 x 1000)



Job Name \_\_\_\_\_ Contractor \_\_\_\_\_  
 Job Location \_\_\_\_\_ Approval \_\_\_\_\_  
 Engineer \_\_\_\_\_ Contractor's P.O. No. \_\_\_\_\_  
 Approval \_\_\_\_\_ Representative \_\_\_\_\_