

Series 406

Detector Check for Automatic Fire Sprinkler Systems

Size: 2" (50mm)

The FEBCO Series 406 Detector Check is designed for automatic fire sprinkler systems.

Features

- Meter detects leakage and/or theft of water from Automatic Fire Sprinkler Systems
- Can be installed horizontally or vertically (up or down)
- Center-stem-guided, spring-loaded check for more positive seating
- Replaceable bronze seat ring
- Reversible seat disc for ease of service
- Bronze body and cover
- End Detail – 2 Bolt Meter Flange

Operation

In a non-flowing condition, the mainline check and by-pass check are closed and the meter is stopped. When water begins to flow, the by-pass check opens and the meter begins to register. When the pressure drop across the valve approximates 1.5psi (10.3 kPa), the mainline check opens and allows full flow of water. The by-pass meter and check remain operating and open at all flow rates.

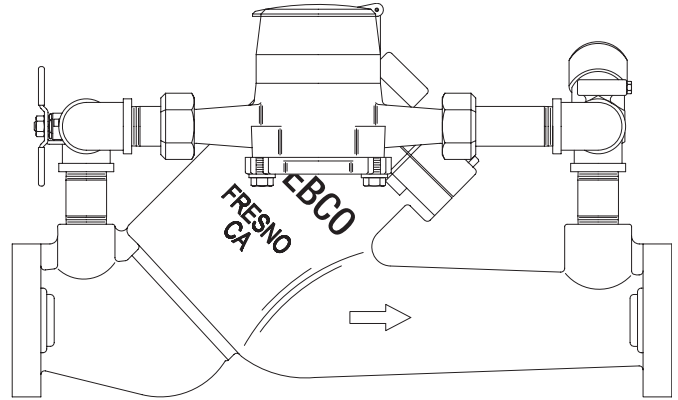
Specifications

The Detector Check 2" (50mm) mainline valve shall consist of an internally spring loaded "Y" pattern check valve having a bronze body, bronze replaceable bushing in the cover, a bronze replaceable seat ring, stainless steel spring and delrin disc holder to insure positive check seating.

The bypass line shall consist of a 3/4" (20mm) IPS shut-off valve, bronze totalizing water meter and a bronze single check valve in series. The unit is also available without bypass.

The assembly shall be rated to 175psi working pressure and water temperatures from 32°F to 110°F (0°C to 43°C).

IMPORTANT: INQUIRE WITH GOVERNING AUTHORITIES FOR LOCAL INSTALLATION REQUIREMENTS



406

Pressure – Temperature

Sizes:	Mainline: 2" (50mm) By-pass: 3/4" (20mm) IPS
Maximum Working Pressure:	175psi (12.1 bar)
Hydrostatic Test Pressure:	350psi (24.1 bar)
Temperature Range:	32°F to 110°F (0°C - 43°C)

Materials

Main Valve Body:	Bronze
Seat Ring:	Bronze
Disc Holder:	Delrin
Spring:	Stainless Steel
By-pass Meter:	Bronze Totalizing Water Meter Optional (gpm or cfm)

Job Name _____

Job Location _____

Engineer _____

Approval _____

Contractor _____

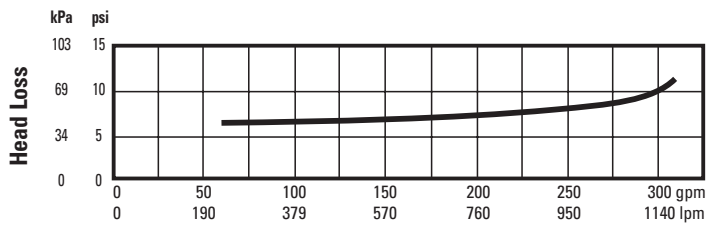
Approval _____

Contractor's P.O. No. _____

Representative _____

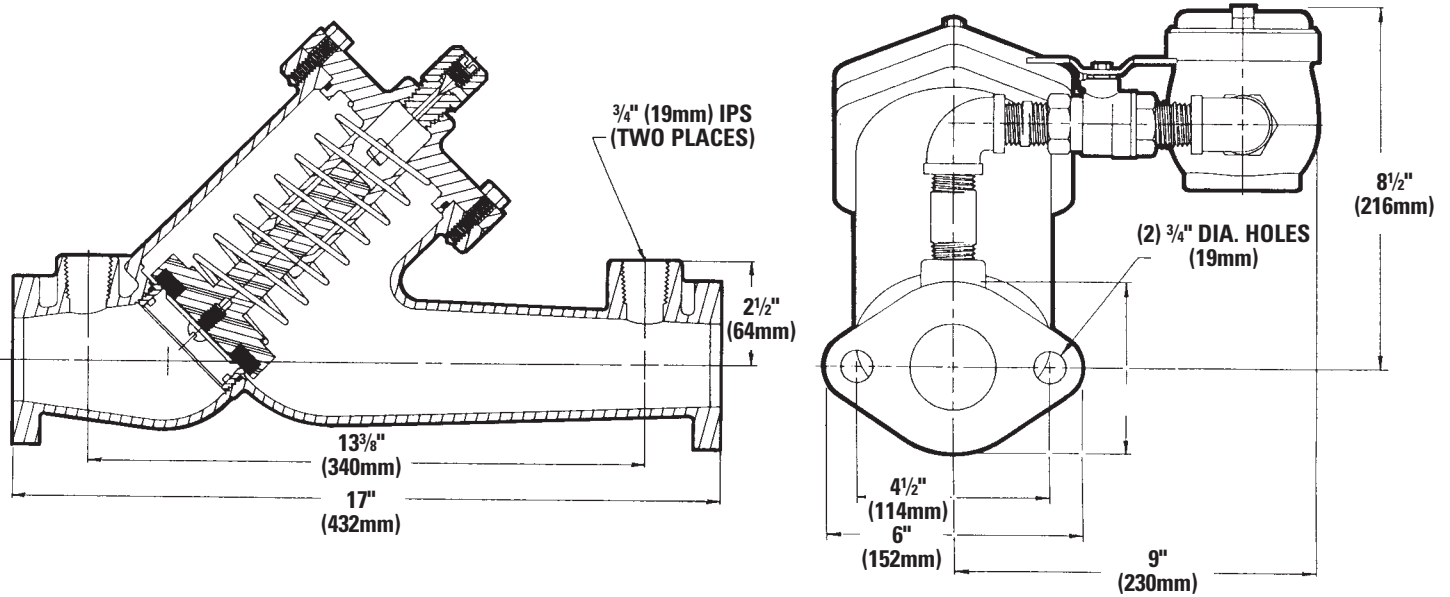
FEBCO product specifications in U.S. customary units and metric are approximate and are provided for reference only. For precise measurements, please contact FEBCO. FEBCO reserves the right to change or modify product design, construction, specifications, or materials without prior notice and without incurring any obligation to make such changes and modifications on FEBCO products previously or subsequently sold.

Capacity



NOTE:
Velocities are calculated
for flows in Schedule
40 steel pipe.

Dimensions



A Division of Watts Water Technologies, Inc.

3816 S. Willow Ave. • Fresno, CA • 93725 • Tel. (559) 441-5300 • Fax: (559) 441-5301

www.FEBCOonline.com