

SPECIFICATION SHEET **FEBCO®**

Series 611

Valve Setter - Mechanical Joint by Flange Used with MasterSeries® N-Shape Assemblies

Sizes: 3" - 10" (80 - 250mm)

The FEBCO Series 611 mechanical joint by flange valve setter is constructed of fusion epoxy coated ductile iron. Valve setters are designed to augment the installation of the "N" series backflow prevention valves. Integral ductile iron support between elbows transfers thrust downstream, thus eliminating thrust block requirements between elbows. Mechanical joint restraint devices may be used at pipe connections, depending on local conditions.

Features

- Corrosion resistant fusion epoxy coated.
- Eliminates the need for thrust blocks or other restraints at the point of installation.
- Flanges: ANSI B16.1 Class 125 (Standard)
ANSI AWWA C153 A21.53-88

Pressure – Temperature

Maximum Working Pressure: 175psi (12.1 bar)
Temperature Range: 32° to 140° (0°C to 60°)

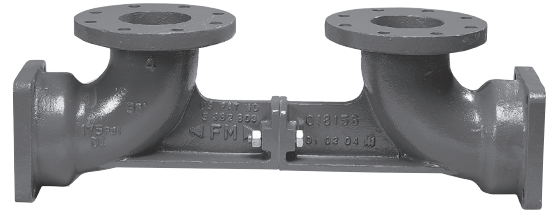
Dimensions – Weights

Size: 3" - 10" (80 - 250mm)

SIZE (DN)		DIMENSIONS						WEIGHTS	
		A		B		C			
in.	mm	in.	mm	in.	mm	in.	mm	lbs.	kgs.
3	80	21½	546	12½	318	5½	140	69	31.3
4	100	24	610	14	356	6½	165	96	43.5
6	150	29	737	16	406	8	203	152	68.9
8	200	33½	851	18½	470	9	229	216	98.0
10	250	40	1016	21	533	11	279	288	130.6

Note: Dimensions shown are nominal. Allowances must be made for normal manufacturing tolerances.

IMPORTANT: INQUIRE WITH GOVERNING AUTHORITIES FOR LOCAL INSTALLATION REQUIREMENTS

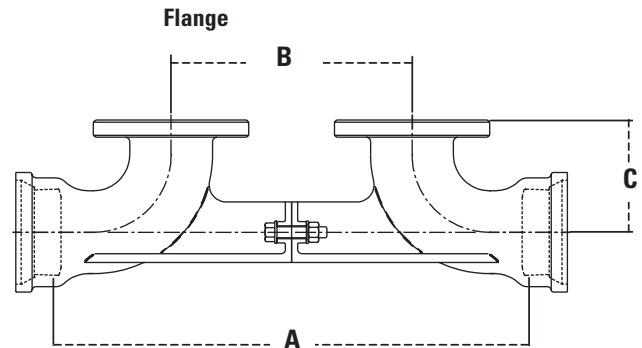


Series 611
U.S. Patent No. 5,392,803

Materials

- Body: Ductile iron A536 GR 65-45-12
Coating: Fusion epoxy coated internal and external AWWA C550
Bolts & Nuts: Stainless steel

Note: Mechanical joint accessories, flange bolts and gaskets are not included (except for center joint).



Job Name _____
Job Location _____
Engineer _____
Approval _____

Contractor _____
Approval _____
Contractor's P.O. No. _____
Representative _____



FEBCO product specifications in U.S. customary units and metric are approximate and are provided for reference only. For precise measurements, please contact FEBCO Technical Service. FEBCO reserves the right to change or modify product design, construction, specifications, or materials without prior notice and without incurring any obligation to make such changes and modifications on FEBCO products previously or subsequently sold.

