

SPECIFICATION SHEET **FEBCO**[®]

Model 758A

"Y" Strainers

Size: 2½" - 10" (65mm - 250mm)

The FEBCO Series 758A "Y" strainers are installed in water piping systems to protect expensive equipment (such as backflow preventers) from damage or failure that can be caused by foreign material in the pipeline.

Features

- Unplugged, NPT blowoff connections are situated on cover
- Recessed screen seats assure accurate screen alignment
- Screens are perforated 304 stainless steel

Pressure – Temperature

Non-Shock, 200psi @ 150° (13.8 bar @ 60°C)

Materials

- Body: Cast Iron, ASTM A126-B
- Cap/Cover: Carbon Steel, ASTM A36
- Gasket: Non-asbestos
- Screen: 2½" - 4" (65 - 100mm) (1/16" Perf.)
6" - 10" (150 - 250mm) (1/8" Perf.)

Dimensions – Weights

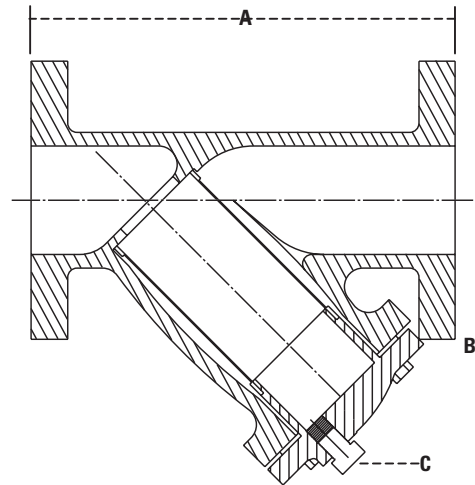
Size: 2½" - 10" (65 - 250mm)

SIZE (DN)		DIMENSIONS						WEIGHT	
in.	mm	A		B		C (NPT)		lbs.	kgs.
		in.	mm	in.	mm	in.	mm		
2½	65	10	254	6½	165	1	25	28	12
3	80	10⅞	257	7	178	1	25	34	15
4	100	12⅛	308	8¼	210	1½	40	60	27
6	150	18½	470	13½	343	2	50	133	60
8	200	21⅝	549	15½	394	2	50	247	112
10	250	26	660	18½	470	2	50	370	168

Note: Dimensions are nominal. Allowances must be made for normal manufacturing tolerances.



Model 758A



Job Name _____

Job Location _____

Engineer _____

Approval _____

Contractor _____

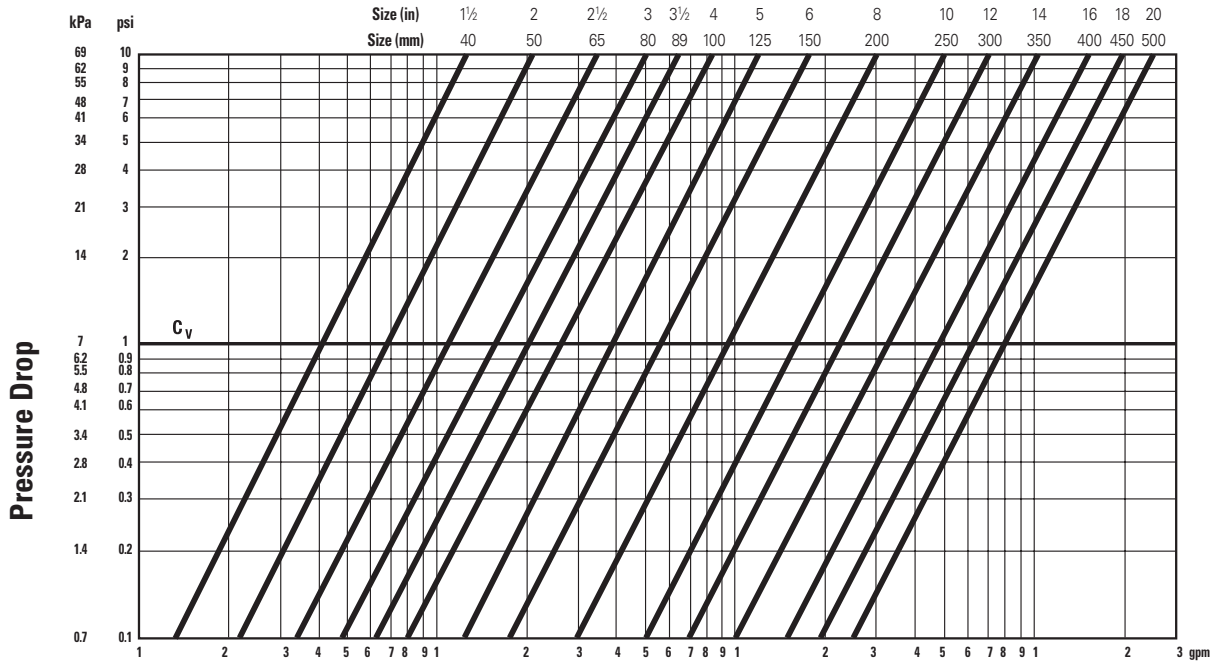
Approval _____

Contractor's P.O. No. _____

Representative _____

FEBCO product specifications in U.S. customary units and metric are approximate and are provided for reference only. For precise measurements, please contact FEBCO. FEBCO reserves the right to change or modify product design, construction, specifications, or materials without prior notice and without incurring any obligation to make such changes and modifications on FEBCO products previously or subsequently sold.

Series 758A Screwed End "Y" Type Strainer



ES-F-710/715 0627

Flow Rate

Above based on flow of clean water through unplugged screens.
Some sizes listed on flow charts are not available from FEBCO.

Flow-coefficient

The flow coefficient (Cv) is the number of gallons per minute of water flowing through a given size restriction at a pressure drop of one psi. To obtain the Cv factor for a given size strainer, read capacity at intersection with the one (1)psi pressure drop.

Conversions: For gpm to lpm, multiply by 3.8.
For psi to bar, multiply by .069



A Watts Water Technologies Company



USA: 4381 N. Brawley • Ste. 102 • Fresno, CA • 93722 • Tel. (559) 441-5300 • Fax: (559) 441-5301 • www.FEBCOonline.com
Canada: 5435 North Service Rd. • Burlington, ONT. • L7L 5H7 • Tel. (905) 332-4090 • Fax: (905) 332-7068 • www.FEBCOonline.ca