

## For Commercial and Food Service Applications

Job Name \_\_\_\_\_

Contractor \_\_\_\_\_

Job Location \_\_\_\_\_

Approval \_\_\_\_\_

Engineer \_\_\_\_\_

Contractor's P.O. No. \_\_\_\_\_

Approval \_\_\_\_\_

Representative \_\_\_\_\_

# LEAD FREE\*

## Models OF110-1, OF120-2 and OF140-4

### OneFlow® Anti-Scale System

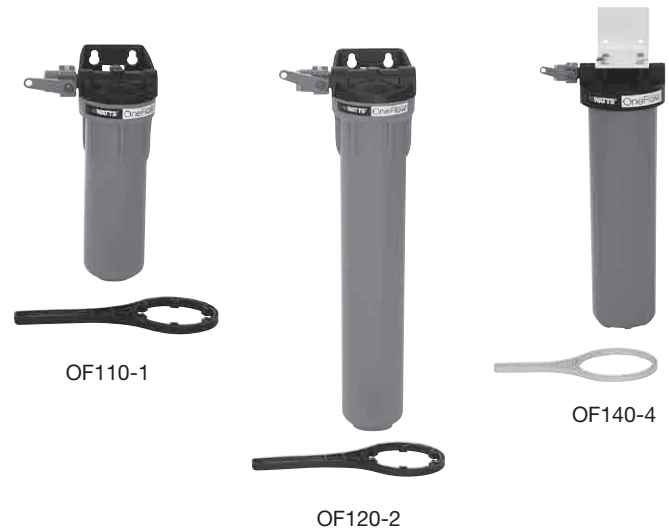
Connection Sizes: 1/2" and 3/4" (15 and 20mm)

Flow Rates: From 0.5 gpm to 4 gpm (1.9 lpm to 15.2 lpm)

The OneFlow® Anti-Scale System provides protection from scale formation on internal and external plumbing surfaces. The OneFlow® system is a single cartridge-based system that may be installed on a cold water line prior to a water-using device (water heater, hot-beverage system, appliance, steamer etc.) that requires protection from the ill effects of hard water.

OneFlow® prevents scale by transforming dissolved hardness minerals into harmless, inactive microscopic crystal particles. These crystals stay suspended in the water and are passed to drain thereby having a greatly reduced ability to react negatively like dissolved hardness does. The system requires very little maintenance, no backwashing, no salt and no electricity. Typical hardness problems, especially build-up of scale in pipes, water heaters, boilers and on fixtures are no longer a concern.

OneFlow® is not a water softener. It does not add chemicals. It is a scale prevention device with proven third party laboratory test data and years of successful Food Service and Commercial applications. OneFlow® is the intelligent scale solution and is a great alternative to water softening (ion exchange) or scale sequestering devices.



### Features

- Chemical free scale prevention and protection - converts hardness minerals to harmless, inactive microscopic crystals making OneFlow® an effective alternative technology to a water softener for the prevention of scale due to water hardness
- Virtually maintenance free - No salt bags or other chemicals to constantly add or maintain
- No control valve, no electricity and no wastewater
- Uses environmentally friendly "green" technology
- Improves efficiency of all water appliances whether heating the water or not
- Simple sizing & installation – all you need to know is pipe size and flow rate
- Perfect system for restaurants, cafeterias and coffee shops where multiple or single equipment protection is desired for longer equipment life and reduced energy consumption
- Inlet ball valve for easy isolation shutoff and filter changes
- OneFlow® does not remove the essential minerals in water that are linked to good health
- OneFlow® cartridge-based systems are easily maintained; change the cartridge once per year

### Models

Model	Maximum Flow Rate	Connection sizes
OF110 – 1	1 gpm (4 lpm)	1/2" (15mm) FNPT
OF120 – 2	2 gpm (8 lpm)	1/2" (15mm) FNPT
OF140 – 4	4 gpm (15 lpm)	3/4" (20mm) FNPT

### Replacement Cartridge

OF110RM	Cartridge should be replaced every 12 months
OF120RM	Cartridge should be replaced every 12 months
OF140RM	Cartridge should be replaced every 12 months

\*The wetted surface of this product contacted by consumable water contains less than one quarter of one percent (0.25%) of lead by weight.

For hot water applications where water temperature is 110°F - 150°F (43°C - 66°C), please consult ES-OneFlow-Hot Water.

Watts product specifications in U.S. customary units and metric are approximate and are provided for reference only. For precise measurements, please contact Watts Technical Service. Watts reserves the right to change or modify product design, construction, specifications, or materials without prior notice and without incurring any obligation to make such changes and modifications on Watts products previously or subsequently sold.

# WATTS®

## Specifications

A OneFlow® scale prevention system shall be installed on the cold water service line to condition the tap water just prior to the service line feeding the equipment it is designed to protect. The system will be sized for maximum or peak flow rate based on the specification of said equipment. A OneFlow® system may also be installed to protect multiple pieces of equipment from the ill-effects of hard water scale provided the aggregate peak flow rate for each piece of equipment it is protecting has been considered. The system shall be plumbed with a bypass valve to allow isolation of filter housing to allow the bypass of untreated water in the event that service or cartridge replacement be necessary. The installation area should be suitable in size for the housing to be serviced without encumbrance and the system should be installed per the Installation, Operation & Maintenance manual as provided with each system.

The OneFlow® system must not require additional waste water to backwash, flush, or regenerate once put into service. The system shall not require any chemical additives and shall not require electricity for operation.

**Note: Copper lines need to be passivated for a minimum of 4 weeks before placing unit into service. Not for use on closed loop systems.**

## Water Chemistry & Limitations

pH	6.5 to 8.5
Hardness (maximum)	75 grains (1300 ppm CaCO <sub>3</sub> )
Temperature	41°F to 100°F (5° to 38°C)
Chlorine	< 3 ppm
Iron (maximum)	0.3 mg/l
Manganese (maximum)	0.05 mg/l
Copper	none allowed
Oil & H <sub>2</sub> S	none allowed
Polyphosphate	none allowed
Silica (maximum)	10 ppm

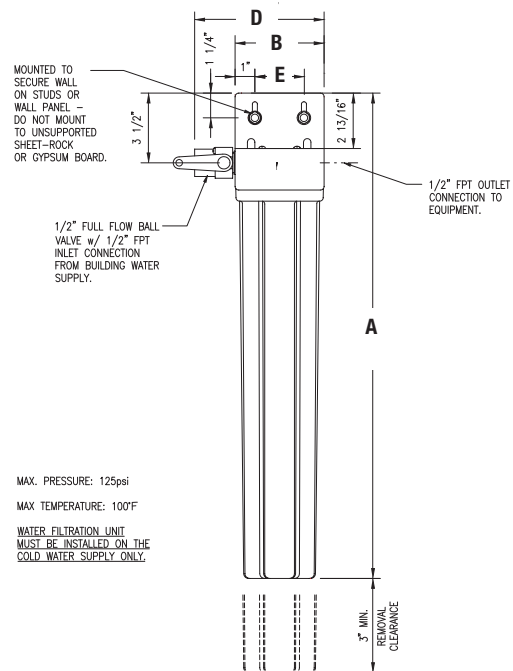
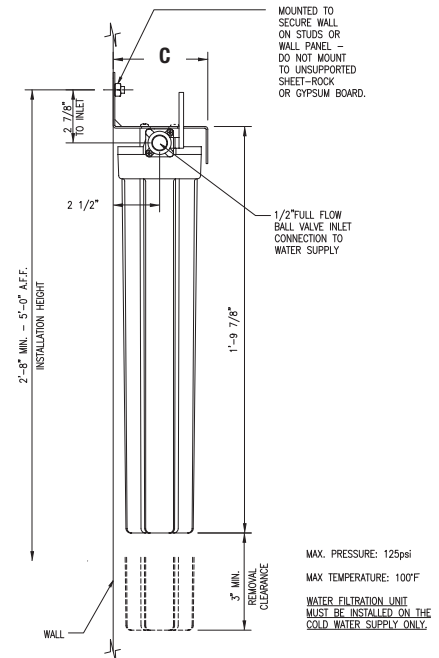
## Standards

Independent scientific testing has confirmed Template Assisted Crystallization (TAC) technology provides scale reduction of over 95+%. Testing was conducted under protocol based on DVGW W512 test to access control of scale formation.

## Dimensions — Weights

Model	Dimensions										Weight	
	A		B		C		D		E		lbs.	kgs
	in.	mm	in.	mm	in.	mm	in.	mm	in.	mm		
OF110-1	14½	37	4½	11	5½	13	6⅝	17	2½	6	5	2.3
OF120-2	24½	62	4½	11	5½	13	6⅝	17	2½	6	8	3.6
OF140-4	26	66	7¾	20	8⅝	22	9⅓	25	5¾	15	18	8.2

The overall height and the height of the inlet fitting varies due to material variations and assembly tolerances. Please allow additional clearance above the tank for making connections.



A Watts Water Technologies Company



USA: No. Andover, MA • Tel: (978) 688-1811 • Fax: (978) 794-1848 • www.watts.com  
 Canada: Burlington, ON • Tel: (905) 332-4090 • Fax: (905) 332-7068 • www.wattscanada.ca