

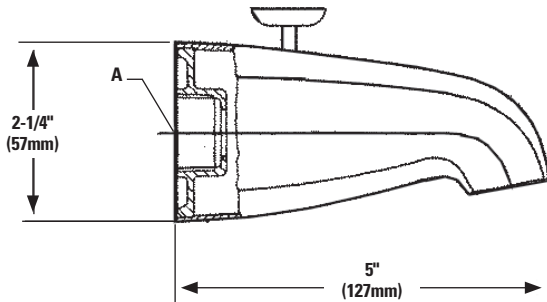
Product Specification

Specifications ■

Description Diverter Spout
 Material Brass
 Finish Chrome Plated
 Agency/Spec Approval Meet the requirements of:
 ANSI A112.18.1M
 CSA B125
 Shipping Weight 141-350 - 1.3 lbs (0.6 kg)
 141-159 - 1.2 lbs (0.5 kg)



Dimensions ■



Indicate Desired Fitting ■

✓	Part Number	Type	A
<input type="checkbox"/>	141-350	T	1/2" IPS
<input type="checkbox"/>	141-159	Q	3/4" IPS

ENGINEERING APPROVAL	
Project:	_____
Contractor:	_____
Architect/Engineer:	_____

