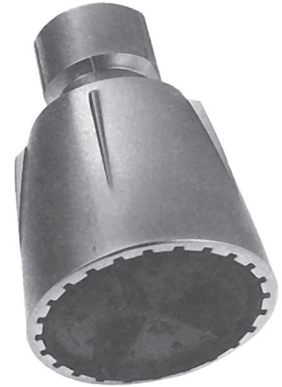


Product Specification

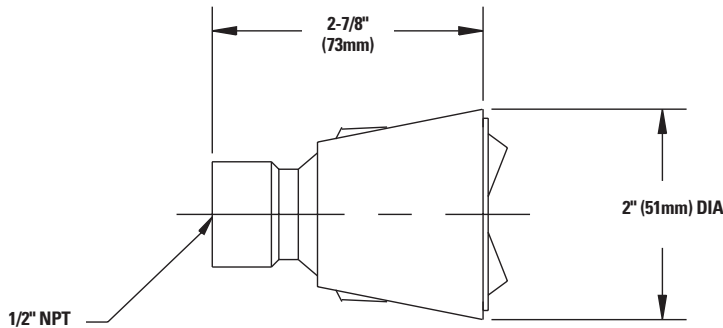
LEAD FREE*

Specifications ■

Description	Ball Joint Economizer Showerhead, "Type J"
Material	ABS
Finish	Polished Chrome
Agency/Spec Approval	ANSI A112.18.1M CSA B125
Maximum Flow	2.5 gpm @ 80psi (9.5 l/min @550 kPa)
Shipping Weight	0.5 lb (0.2 kg)



Dimensions ■



* The wetted surface of this product contacted by consumable water contains less than one quarter of one percent (0.25%) of lead by weight.

ENGINEERING APPROVAL

Project: _____
 Contractor: _____
 Architect/Engineer: _____

