

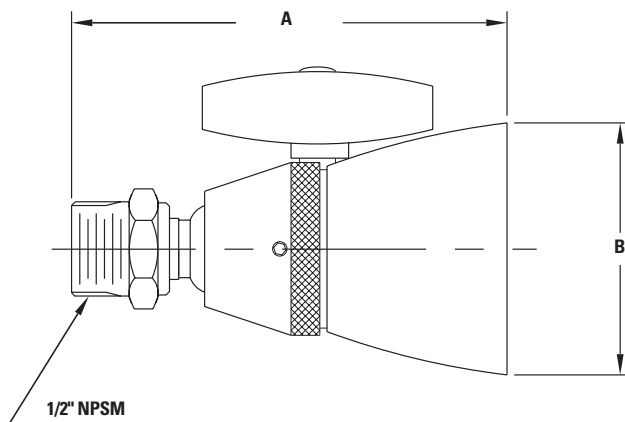
Product Specification

Specifications ■

Description	Ball Joint Showerhead with Adjustable Shower Pattern & Male Thread
Material	Brass
Finish	Polished Chrome
Agency/Spec Approval	A112.18.1M CSA B125
Maximum Flow	2.5 gpm @ 80psi (9.5 l/min @550 kPa)
Shipping Weight	141-378 0.9 lb (0.4 kg) 141-379 1.3 lb (0.6 kg)



Dimensions ■



Indicate Desired Fitting ■

✓	Part Number	A	B
<input type="checkbox"/>	141-378	3-1/4" (83mm)	1-3/4" (44mm)
<input type="checkbox"/>	141-379	3-3/4" (95mm)	2-1/4" (57mm)

ENGINEERING APPROVAL	
Project:	_____
Contractor:	_____
Architect/Engineer:	_____

