

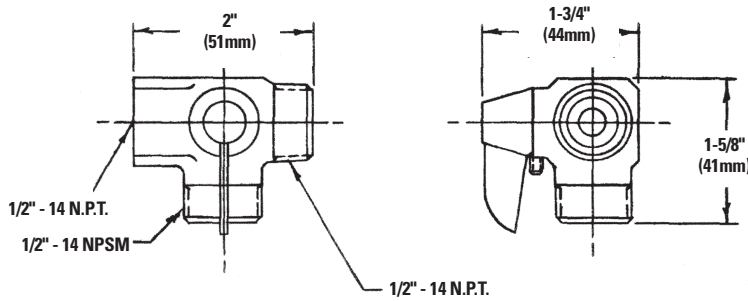
**Product Specification**

**Specifications ■**

Description ..... Exposed, 3 Port Diverter Valve, Type "Z"  
 Material ..... Brass  
 Finish ..... Polished Chrome  
 Shipping Weight ..... 0.5 lb. (0.2 kg.)



**Dimensions ■**



**ENGINEERING APPROVAL**

Project: \_\_\_\_\_  
 Contractor: \_\_\_\_\_  
 Architect/Engineer: \_\_\_\_\_

