

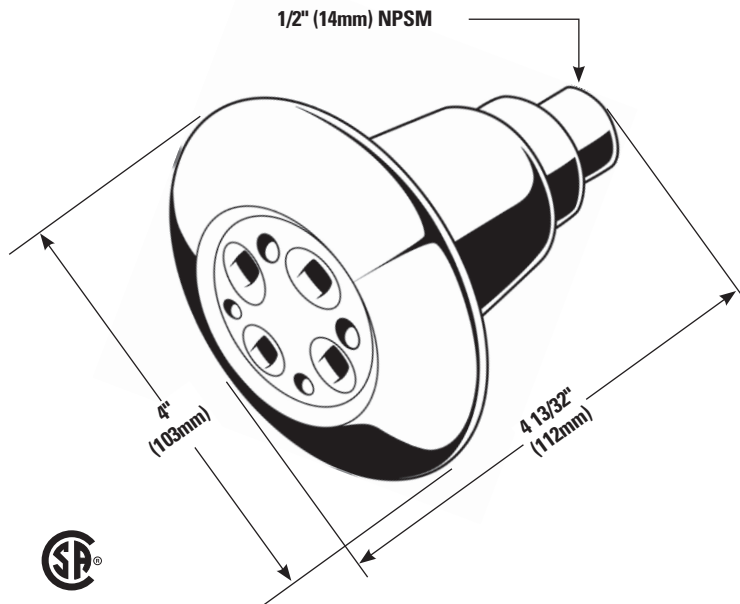
Product Specification

LEAD FREE*

Specifications ■

Description	Low Flow Showerhead, "Type G"
Material	ABS
Finish	Polished Chrome
Agency/Spec Approval	ANSI A112.18.1M CSA B125.1
Maximum Flow	1.50 gpm @ 80psi (5.6 l/min @550 kPa)
Shipping Weight	2.5 lb (1.1 kgs)

Dimensions ■



* The wetted surface of this product contacted by consumable water contains less than one quarter of one percent (0.25%) of lead by weight.

ENGINEERING APPROVAL	
Project:	_____
Contractor:	_____
Architect/Engineer:	_____

