

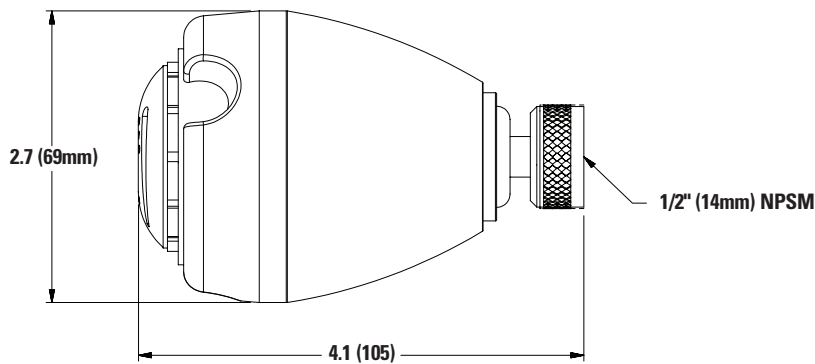
Product Specification

Specifications ■

Description	Low Flow Showerhead, "Type H"
Material	ABS
Finish	Polished Chrome
Agency/Spec Approval	Meets ANSI
Maximum Flow	1.50 gpm @ 80psi (5.6 l/min @ 550 kPa)
Shipping Weight	0.49 lb (0.2 kgs)



Dimensions ■



ENGINEERING APPROVAL	
Project:	_____
Contractor:	_____
Architect/Engineer:	_____

