

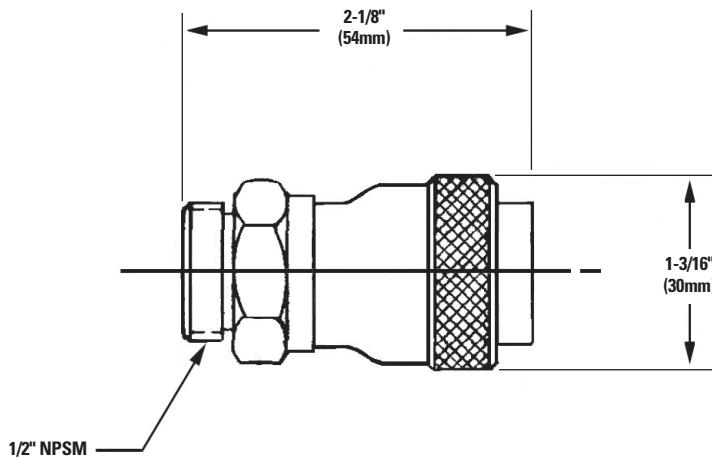
## Product Specification

### Specifications ■

Description .....	Adjustable Showerhead, Male Thread
Material .....	Brass
Finish .....	Polished Chrome
Agency/Spec Approval .....	ANSI A112.18.1M CSA B125
Maximum Flow .....	2.5 gpm @ 80psi (9.5 l/min @550 kPa)
Shipping Weight .....	1.0 lb (0.5 kg)



### Dimensions ■



### ENGINEERING APPROVAL

Project: \_\_\_\_\_  
 Contractor: \_\_\_\_\_  
 Architect/Engineer: \_\_\_\_\_

