

Product Specification

Specifications ■

Description Ball Joint Showerhead with Wall Bracket and Anchor Plate, Adjustable Spray

Material Brass

Finish Polished Chrome

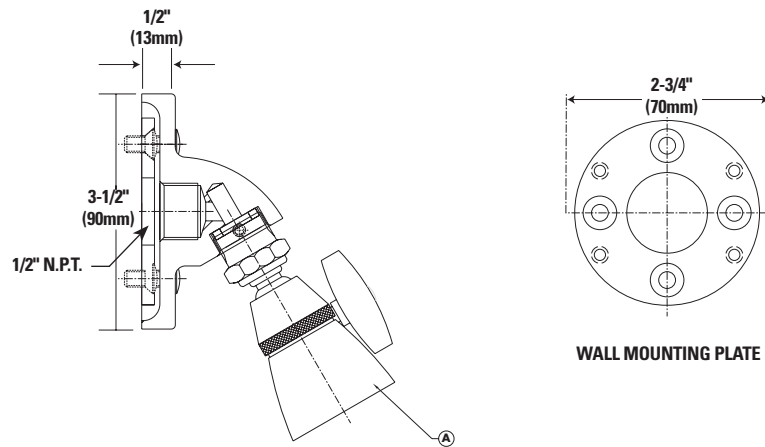
Agency/Spec Approval ANSI A112.18.1M
CSA B125

Maximum Flow 2.5 gpm @ 80psi (9.5 l/min @550 kPa)

Shipping Weight 141-903A - 3.0 lb (1.4 kg)
141-903B - 3.2 lb (1.5 kg)



Dimensions ■



Indicate Desired Fitting ■

✓	Part Number	A	Diameter
<input type="checkbox"/>	141-903A	141-378	1-3/4"
<input type="checkbox"/>	141-903B	141-379	2-1/4"

ENGINEERING APPROVAL	
Project:	_____
Contractor:	_____
Architect/Engineer:	_____

