

Product Specification

Specifications ■

Description 1/2" (15mm) Triple Duty Strainer
Checkstop Pair

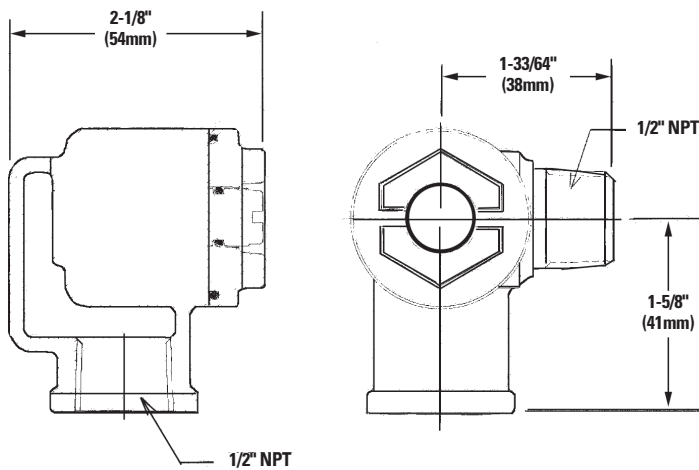
Material Bronze

Finish See chart below

Shipping Weight 2.5 lb. (1.1 kg.)



Dimensions ■



Indicate Desired Fitting ■

✓	Part Number	Type	Finish	Qty
<input type="checkbox"/>	230-046*	E	Rough Bronze	2
<input type="checkbox"/>	230-048*	F	Polished Chrome	2

* Consists of one left hand and one right hand.

ENGINEERING APPROVAL	
Project:	_____
Contractor:	_____
Architect/Engineer:	_____

