

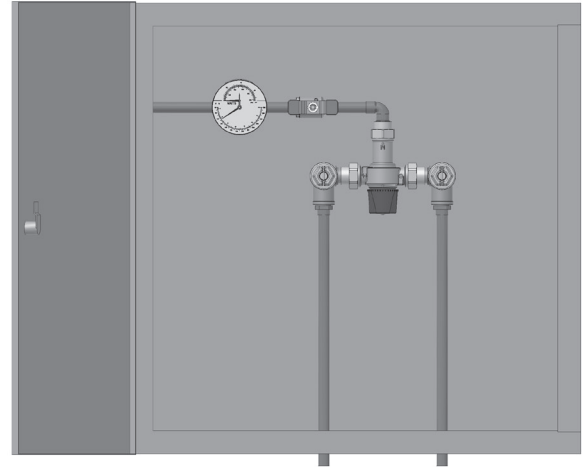
**HYDROGUARD® Master Tempering Valve Supply Fixture
Series LFLM490 Bottom Inlets/Side Outlet – Wall Mounted Cabinet**

Product Specification

LEAD FREE*

Features ■

- Features Lead Free* construction to comply with Lead Free* installation requirements.
- Paraffin-based advanced thermal actuation technology to sense and adjust outlet temperature
- Dirt and lime resistant poppet and seat design
- Virtual shutoff if supply pressure fails
- Factory tested valve and piping
- Stainless steel or white painted cabinets
- Triple-duty checkstops with filters, dial-thermometer, ball valve
- Rough bronze and chrome finishes



Advanced Thermal Activation

Specifications ■

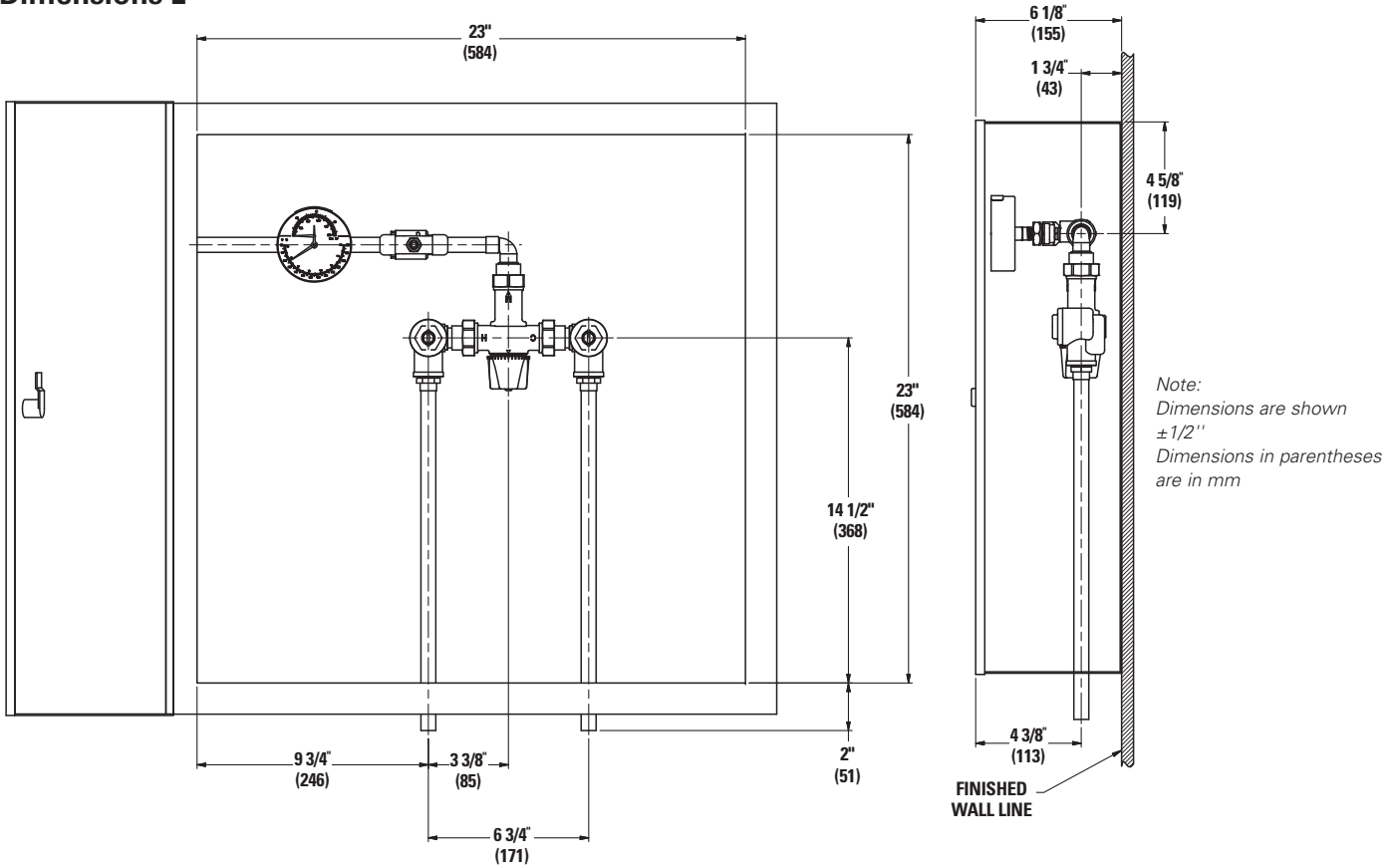
- Connections 1/2" (15mm) inlets and outlet
- Maximum Hot Water Supply Temperature 200°F (93°C)
- Minimum Hot Water Supply Temperature 5°F (3°C) above set point
- Minimum Flow** 0.5 gpm (1.9 lpm)
- Maximum Operating Pressure 150psi (1034 kPa)
- Temperature Adjustment Range 90 – 160°F (32 – 71°C)
- Listing/Compliance (Valve Only). ASSE 1017, CSA B125

* The wetted surface of this product contacted by consumable water contains less than one quarter of one percent (0.25%) of lead by weight.
** When tested in accordance with ASSE 1017

Capacity ■

Flow Capacity at 50-50 Mixed Ratio							
Pressure Drop Across Valve							
Valve	C _v	5psi (35 kPa)	10psi (69 kPa)	20psi (138 kPa)	30psi (207 kPa)	45psi (310 kPa)	60psi (414 kPa)
LFLM490	3.42	7.6 gpm (29 lpm)	11.0 gpm (42 lpm)	15.0 gpm (57 lpm)	19.0 gpm (72 lpm)	23.0 gpm (87 lpm)	27.0 gpm (102 lpm)

Dimensions ■



Ordering Information ■

L F L M 4 9 0 G S

Valve

23 gpm (87 lpm)

Order Code

LFLM490

Finish

Rough Bronze
Chrome Plated

A
C

Piping Inlets/Outlet

Bottom/Side

G

Cabinet Style

Stainless steel, Wall Mount
Painted, Wall Mount

Q
U

View Port

None
Window

Order Code

0
W

Alarm System

None

0

Option

None
Cold Water Bypass
T/P Gauge on Inlets
C/W Bypass & T/P Gauge on Inlets

0
2
4
6

Temperature Range

90°F - 160°F (32°C - 71°C)

S

Typical Specification ■

Cabinet Supply Fixture (CSF) shall be factory assembled and tested and include a stainless steel or painted steel cabinet. CSF shall feature a HydroGuard® LFLM490 Series Master-Tempering Valve with advanced paraffin-based actuation technology. The valves shall be constructed using Lead Free* brass. Lead Free* brass valves shall comply with state codes and standards, where applicable, requiring reduced lead content. CSF shall also include copper piping, ball valve(s) and temperature/pressure gauge for diagnostics. The tempering valve shall have union checkstops, an outlet temperature range of 90 – 160°F (32 - 71°C) (with lockable means), and an approach temperature of 5°F (3°C). Valve shall be ASSE 1017 listed and CSA certified. Minimum flow to ASSE 1017 shall be 0.5 gpm (1.9 lpm). Valve shall be a Powers model _____ . All alternatives must have written approval prior to bidding.

ENGINEERING APPROVAL

Project: _____
Contractor: _____
Architect/Engineer: _____



POWERS™

A Watts Water Technologies Company

USA: Phone: 1.800.669.5430 • Fax 1.847.229.0526 • www.powerscontrols.com
Canada: Phone: 1.888.208.8927 • Fax 1.888.479.2887 • www.powerscontrols.ca

ES-P-SF-LFLM490-BSWMC 0940

© 2009 Powers