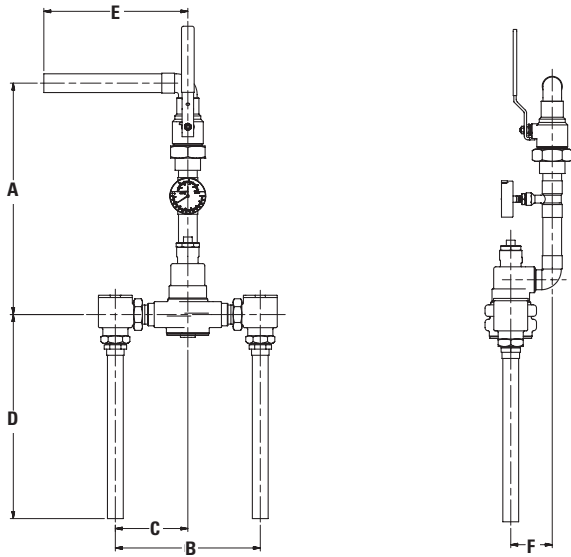




## Dimensions ■



Valve	A	B	C	D	E	F
LFMM431	16-5/8"	9-1/8"	4-1/2"	16-3/4"	10-1/2"	2-5/8"
	(422)	(232)	(114)	(425)	(267)	(67)
LFMM432	17"	9-1/8"	4-1/2"	16-3/4"	10-1/2"	2-3/4"
	(432)	(232)	(114)	(425)	(267)	(70)
LFMM433	19-1/2"	12-5/8"	6-1/4"	17-3/4"	12-1/2"	3-3/8"
	(495)	(321)	(159)	(451)	(318)	(86)
LFMM434	20-1/16"	12-5/8"	6-1/4"	17-3/4"	12-1/2"	3-5/8"
	(510)	(321)	(159)	(451)	(318)	(92)
LFMM435	25-3/4"	15-5/8"	7-7/8"	22-5/8"	14-1/2"	4-1/4"
	(654)	(397)	(200)	(575)	(368)	(108)

Valve	Inlets	Outlet
LFMM431	3/4" (20)	3/4" (20)
LFMM432	3/4" (20)	1" (25)
LFMM433	1-1/4" (32)	1-1/4" (32)
LFMM434	1-1/4" (32)	1-1/2" (40)
LFMM435	2" (50)	2" (50)

Note:  
Dimensions are shown ±1/2"  
Dimensions in parentheses are in mm

## Ordering Information ■



### Valve

42 gpm (159 lpm)	LFMM431
64 gpm (242 lpm)	LFMM432
110 gpm (416 lpm)	LFMM433
144 gpm (545 lpm)	LFMM434
208 gpm (787 lpm)	LFMM435

### Finish

Rough Bronze	A
Chrome Plated	C

### Piping Inlets/Outlet

Bottom/Side	G
-------------	---

### Cabinet Style

None	M
------	---

### Alarm System

None	0
------	---

### Option

None	0
Cold Water Bypass	2
T/P Gauge on Inlets	4
C/W Bypass & T/P Gauge on Inlets	6

### Temperature Range

90°F - 160°F (32°C - 71°C)	S
60°F - 90°F (16°C - 32°C)	W

## Recirculation Piping Diagram ■

Please see Piping Diagram Section of this catalog.

## Typical Specification - Supply Fixtures ■

Supply Fixture shall be factory assembled and tested and feature a HydroGuard® XP LFMM430 series master-tempering valve with advanced, paraffin-based actuation technology. The valves shall be constructed using Lead Free\* brass. Lead Free\* brass valves shall comply with state codes and standards, where applicable, requiring reduced lead content. Supply fixture shall also include copper piping, ball valve(s) and temperature/pressure gauge for diagnostics. The tempering valve shall have union checkstops, an outlet temperature range of 90 – 160°F (32° – 71°C) (with lockable means), a single seat design for positive shutoff and an approach temperature 5°F (3°C). Valve shall be ASSE 1017 listed and CSA certified. Minimum flows to ASSE 1017 shall be LFMM431 (3.0 gpm, 11 lpm), LFMM432 (4.0 gpm, 15 lpm), LFMM433 (5.0 gpm, 19 lpm), LFMM434 (7.0 gpm, 26 lpm), LFMM435 (10.0 gpm, 38 lpm).

Valve shall be a Powers Model \_\_\_\_\_. All alternatives must have written approval prior to bidding.

# POWERS™

A Watts Water Technologies Company

## ENGINEERING APPROVAL

Project: \_\_\_\_\_  
Contractor: \_\_\_\_\_  
Architect/Engineer: \_\_\_\_\_



ISO 9001-2000  
CERTIFIED

USA: Phone: 1.800.669.5430 • Fax 1.847.229.0526 • www.powerscontrols.com  
Canada: Phone: 1.888.208.8927 • Fax 1.888.479.2887 • www.powerscontrols.ca