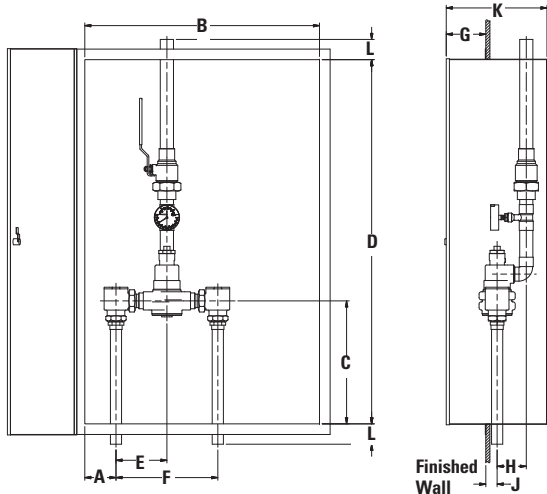


Dimensions ■

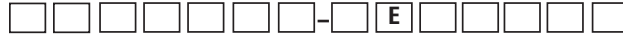


Valve	A	B	C	D	E	F	G	H	J	K	L
LFMM431	3-7/8"	20"	14-3/4"	36"	4-5/8"	9-1/4"	3-1/2"	2-5/8"	1-1/8"	9"	2"
	(98)	(508)	(375)	(914)	(117)	(235)	(89)	(67)	(29)	(229)	(50)
LFMM432	3-7/8"	20"	14-3/4"	36"	4-5/8"	9-1/4"	3-1/2"	2-3/4"	1-1/8"	9"	2"
	(98)	(508)	(375)	(914)	(117)	(235)	(89)	(70)	(29)	(229)	(50)
LFMM433	3-7/8"	29"	15-1/4"	45"	6-1/4"	12-1/2"	4-1/2"	3-3/8"	1-3/8"	12"	2-1/2"
	(98)	(737)	(387)	(1143)	(159)	(318)	(114)	(86)	(35)	(305)	(64)
LFMM434	3-7/8"	29"	15-1/4"	45"	6-1/4"	12-1/2"	4-1/2"	3-5/8"	1-3/8"	12"	2-1/2"
	(98)	(737)	(387)	(1143)	(159)	(318)	(114)	(92)	(35)	(305)	(64)
LFMM435	4-1/8"	38"	20-1/8"	55-3/4"	7-7/8"	15-3/4"	4"	4-1/4"	2"	13	2-1/2"
	(105)	(965)	(511)	(1416)	(200)	(400)	(102)	(108)	(51)	(330)	(64)

Valve	Inlets	Outlet
LFMM431	3/4" (20)	3/4" (20)
LFMM432	3/4" (20)	1" (25)
LFMM433	1-1/4" (32)	1-1/4" (32)
LFMM434	1-1/4" (32)	1-1/2" (40)
LFMM435	2" (50)	2" (50)

Note:
Dimensions are shown ±1/2"
Dimensions in parentheses are in mm

Ordering Information ■



Valve

42 gpm (159 lpm)
64 gpm (242 lpm)
110 gpm (416 lpm)
144 gpm (545 lpm)
208 gpm (787 lpm)

Order Code

LFMM431
LFMM432
LFMM433
LFMM434
LFMM435

Finish

Rough Bronze
Chrome Plated

A
C

Piping Inlets/Outlet

Bottom/Top

E

Cabinet Style

Stainless Steel, Semi-Recessed
Painted, Semi-Recessed

P
T

View Port

None
Window

Alarm System

None

Option

None
Cold Water Bypass
T/P Gauge on Inlets
C/W Bypass & T/P Gauge on Inlets

Temperature Range

90°F - 160°F (32°C - 71°C)
60°F - 90°F (16°C - 32°C)

Order Code

0
W

Order Code

0

0
2
4
6

S
W

Recirculation Piping Diagram ■

Please see Piping Diagram Section of this catalog.

Typical Specification - Supply Fixtures ■

Cabinet Supply Fixture (CSF) shall be factory assembled and tested and include a stainless steel or painted steel cabinet. CSF shall feature a HydroGuard® XP LFMM430 series master-tempering valve with advanced paraffin-based actuation technology. The valves shall be constructed using Lead Free* brass. Lead Free* brass valves shall comply with state codes and standards, where applicable, requiring reduced lead content. CSF shall also include copper piping, ball valve(s) and temperature/pressure gauge for diagnostics. The tempering valve shall have union checkstops, an outlet temperature range of 90 – 160°F (32 – 71°C) (with lockable means), a single seat design for positive shutoff and an approach temperature of 5°F (3°C). Valve shall be ASSE 1017 listed and CSA certified. Minimum flows to ASSE 1017 shall be LFMM431 (3.0 gpm, 11 lpm), LFMM432 (4.0 gpm, 15 lpm), LFMM433 (5.0 gpm, 19 lpm), LFMM434 (7.0 gpm, 27 lpm), LFMM435 (10.0 gpm, 38 lpm).

Valve shall be a Powers model _____. All alternatives must have written approval prior to bidding.

POWERS™

A Watts Water Technologies Company

ENGINEERING APPROVAL

Project: _____
Contractor: _____
Architect/Engineer: _____



ISO 9001-2000
CERTIFIED

USA: Phone: 1.800.669.5430 • Fax 1.847.229.0526 • www.powerscontrols.com
Canada: Phone: 1.888.208.8927 • Fax 1.888.479.2887 • www.powerscontrols.ca