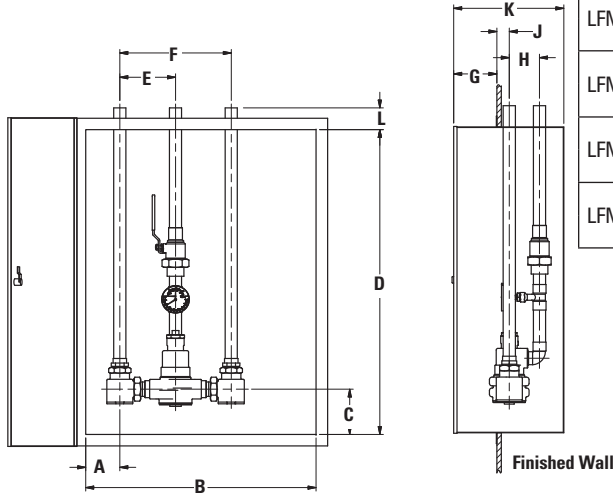




## Dimensions ■

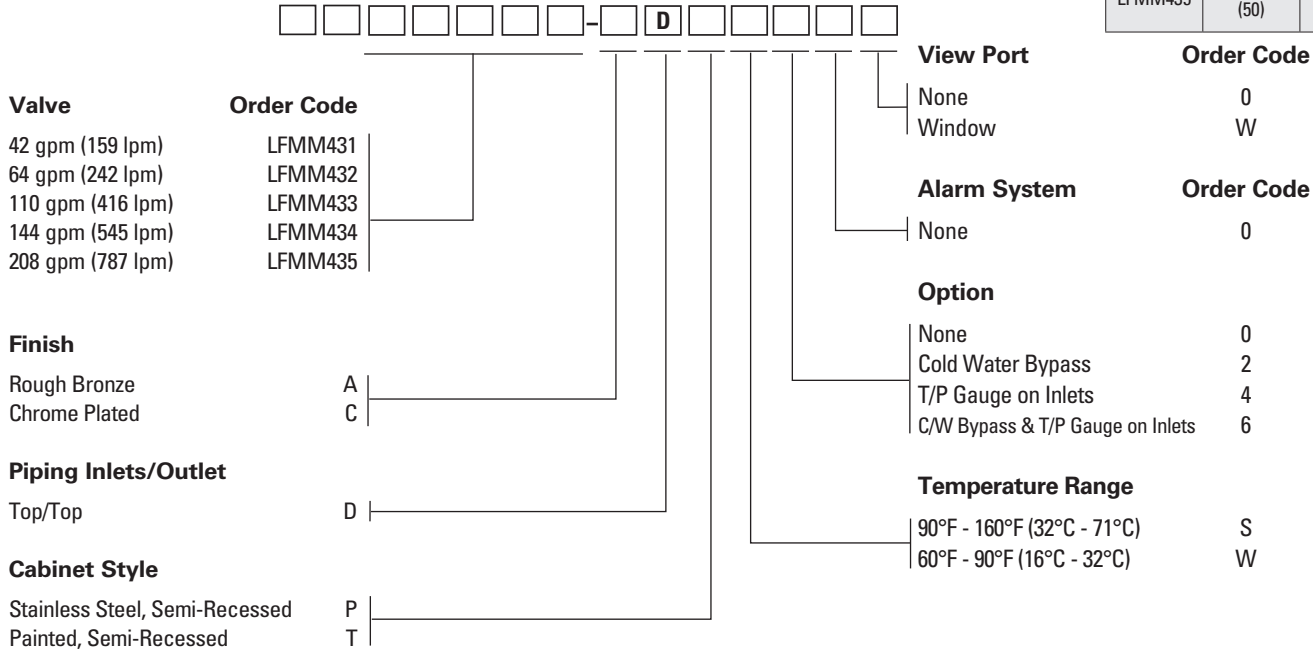


Valve	A	B	C	D	E	F	G	H	J	K	L
LFMM431	3-7/8"	20"	4-3/4"	26"	4-5/8"	9-1/4"	3-1/2"	2-5/8"	1-1/8"	9"	2"
	(98)	(508)	(121)	(660)	(117)	(235)	(89)	(67)	(29)	(229)	(51)
LFMM432	3-7/8"	20"	4-3/4"	26"	4-5/8"	9-1/4"	3-1/2"	2-3/4"	1-1/8"	9"	2"
	(98)	(508)	(121)	(660)	(117)	(235)	(89)	(70)	(29)	(229)	(51)
LFMM433	3-7/8"	26"	4-3/4"	34-1/2"	6-1/4"	12-1/2"	4-1/2"	3-3/8"	1-3/8"	12"	2-1/2"
	(98)	(660)	(121)	(876)	(159)	(318)	(114)	(86)	(35)	(305)	(64)
LFMM434	3-7/8"	26"	4-3/4"	34-1/2"	6-1/4"	12-1/2"	4-1/2"	3-5/8"	1-3/8"	12"	2-1/2"
	(98)	(660)	(121)	(876)	(159)	(318)	(114)	(92)	(35)	(305)	(64)
LFMM435	4-1/2"	32"	6-3/8"	42"	7-7/8"	15-5/8"	4"	4-1/4"	2"	13"	2-1/2"
	(114)	(813)	(162)	(1067)	(200)	(397)	(102)	(108)	(51)	(330)	(64)

Valve	Inlets	Outlet
LFMM431	3/4" (20)	3/4" (20)
LFMM432	3/4" (20)	1" (25)
LFMM433	1-1/4" (32)	1-1/4" (32)
LFMM434	1-1/4" (32)	1-1/2" (40)
LFMM435	2" (50)	2" (50)

Note:  
Dimensions are shown ±1/2"  
Dimensions in parentheses are in mm

## Ordering Information ■



## Recirculation Piping Diagram ■

Please see Piping Diagram Section of this catalog.

## Typical Specification - Supply Fixtures (MM) ■

Cabinet Supply Fixture (CSF) shall be factory assembled and tested and include a stainless steel or painted steel cabinet. CSF shall feature a HydroGuard® XP LFMM430 series master-tempering valve with advanced paraffin-based actuation technology. The valves shall be constructed using Lead Free\* brass. Lead Free\* brass valves shall comply with state codes and standards, where applicable, requiring reduced lead content. CSF shall also include copper piping, ball valve(s) and temperature/pressure gauge for diagnostics. The tempering valve shall have union checkstops, an outlet temperature range of 90 – 160°F (32 – 71°C) (with lockable means), a single seat design for positive shutoff and an approach temperature of 5°F (3°C). Valve shall be ASSE 1017 listed and CSA certified. Minimum flows to ASSE 1017 shall be LFMM431 (3.0 gpm, 11 lpm), LFMM432 (4.0 gpm, 15 lpm), LFMM433 (5.0 gpm, 19 lpm), LFMM434 (7.0 gpm, 27 lpm), LFMM435 (10.0 gpm, 38 lpm).

Valve shall be a Powers model \_\_\_\_\_. All alternatives must have written approval prior to bidding.

### ENGINEERING APPROVAL

Project: \_\_\_\_\_  
Contractor: \_\_\_\_\_  
Architect/Engineer: \_\_\_\_\_



# POWERS™

A Watts Water Technologies Company

USA: Phone: 1.800.669.5430 • Fax 1.847.229.0526 • www.powerscontrols.com  
Canada: Phone: 1.888.208.8927 • Fax 1.888.479.2887 • www.powerscontrols.ca