

**HYDROGUARD® XP Hi/Lo Master Tempering Valves  
Supply Fixture Series LFSH1430  
Bottom Inlets/Bottom Outlet – Exposed**

**Product Specification**

**LEAD FREE\***

**Features ■**

- Features Lead Free\* construction to comply with Lead Free\* installation requirements.
- Paraffin-based advanced thermal actuation technology to sense and adjust outlet temperature
- Dirt and lime resistant poppet and seat design
- Virtual shutoff if supply pressure fails
- Vandal-resistant locking mechanism to secure temperature setting
- Factory tested valve and piping
- Rotatable union triple-duty checkstops with filters, dial-thermometer, ball valve
- Rough bronze and chrome finishes

**Specifications ■**

Connections ..... See chart on reverse

Maximum Hot Water Supply Temperature ... 200°F (93°C)

Minimum Hot Water Supply Temperature\*\* .. 5°F (3°C) above set point

Minimum Flow\*\*\* ..... 0.5 gpm (1.9 lpm)

Maximum Operating Pressure ..... 125psi (861 kPa)

Temperature Adjustment Range\*\*\*\* ..... Standard 90 – 160°F (32 – 71°C)  
Low 60 – 90°F (16 – 32°C)

Hot Water Inlet Temperature Range ..... 120 – 180°F (49 – 82°C)

Cold Water Inlet Temperature Range ..... 40 – 80°F (4 – 27°C)

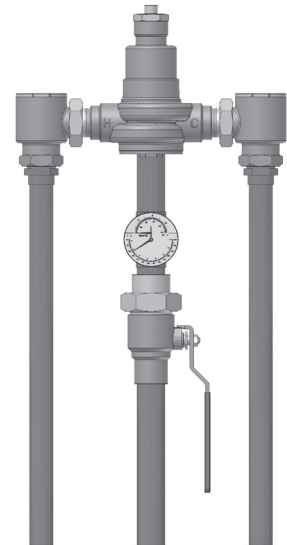
Listing/Compliance–Valve Only ..... ASSE 1017, CSA B125

\* The wetted surface of this product contacted by consumable water contains less than one quarter of one percent (0.25%) of lead by weight.

\*\* With equal pressure

\*\*\* Minimum flow when the valve is installed at or near hot water source w/recirculated tempered water with a properly sized continuously operating recirculating pump

\*\*\*\* Note: Low limit cannot be less than the cold water temperature. For best operation, hot water should be at least 5°F (3°C) above desired set point.

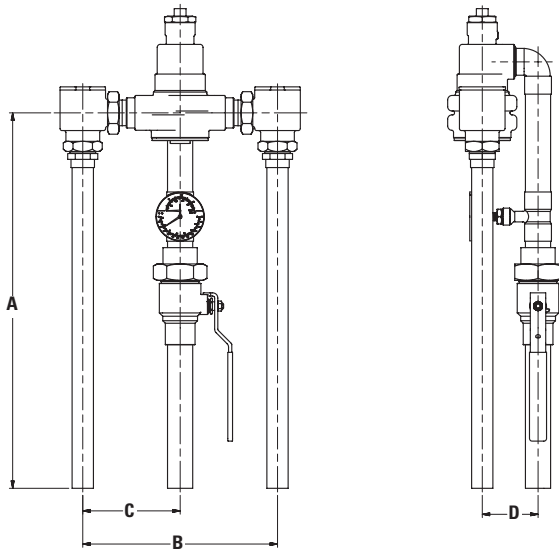


Advanced Thermal Activation

**Capacity ■**

Flow Capacity at 50-50 Mixed Ratio								
		Pressure Drop Across Valve						
Model	Min. Flow to ASSE 1017	C <sub>v</sub>	5psi (34 kPa)	10psi (69 kPa)	20psi (138 kPa)	30psi (207 kPa)	45psi (310 kPa)	60psi (414 kPa)
LFSH1432	1 gpm	8.54	19 gpm	27 gpm	38 gpm	47 gpm	57 gpm	66 gpm
	4 lpm		72 lpm	102 lpm	144 lpm	178 lpm	216 lpm	250 lpm
LFSH1434	1 gpm	19.00	42 gpm	60 gpm	85 gpm	104 gpm	127 gpm	147 gpm
	4 lpm		159 lpm	227 lpm	322 lpm	394 lpm	481 lpm	556 lpm
LFSH1435	5 gpm	30.00	67 gpm	95 gpm	134 gpm	164 gpm	201 gpm	232 gpm
	19 lpm		254 lpm	360 lpm	507 lpm	621 lpm	761 lpm	878 lpm

## Dimensions ■



Valve	A	B	C	D
LFSH1432	16-3/4" (425)	9-1/8" (232)	4-1/2" (114)	2-3/4" (70)
LFSH1434	24-1/4" (616)	12-5/8" (321)	6-1/4" (159)	3-5/8" (92)
LFSH1435	27" (686)	15-5/8" (397)	7-7/8" (200)	4-1/4" (108)

Note:  
Dimensions are shown  $\pm 1/2''$   
Dimensions in parentheses are in mm

Valve	Inlets	Outlet
LFSH1432	3/4" (20)	1" (25)
LFSH1434	1-1/4" (32)	1-1/2" (40)
LFSH1435	2" (50)	2" (50)

## Ordering Information ■



### Valve

57 gpm (216 lpm)  
127 gpm (481 lpm)  
201 gpm (761 lpm)

### Order Code

LFSH1432  
LFSH1434  
LFSH1435

### Alarm System

None 0

### Option

None 0  
Cold Water Bypass 2  
T/P Gauge on Inlets 4  
C/W Bypass & T/P Gauge on Inlets 6

### Finish

Rough Bronze  
Chrome Plated

A  
C

### Piping Inlets/Outlet

Bottom/Bottom

F

### Temperature Range

90°F - 160°F (32°C - 71°C) S  
60°F - 90°F (16°C - 32°C) W

### Cabinet Style

None

M

## Recirculation Piping Diagram ■

Please see Piping Diagram Section of this catalog.

## Typical Specification - Supply Fixtures ■

Supply Fixture shall be factory assembled and tested and feature a HydroGuard® XP LFSH1430 Series Single-Valve Hi/Lo with advanced, paraffin-based actuation technology. The valves shall be constructed using Lead Free\* brass. Lead Free\* brass valves shall comply with state codes and standards, where applicable, requiring reduced lead content. Supply Fixture shall also include copper piping, ball valve(s) and temperature/pressure gauge for diagnostics. The tempering valve shall have union check stops, an outlet temperature range of 90 – 160°F (32 - 71°C) (with lockable means), a single seat design for positive shutoff and an approach temperature of 5°F (3°C). Valve shall be ASSE 1017 listed and CSA certified. Minimum flows to ASSE 1017 shall be LFSH1432 (1.0 gpm, 4 lpm), LFSH1434 (1.0 gpm, 4 lpm), LFSH1435 (5.0 gpm, 19 lpm).

Valve shall be a Powers' model \_\_\_\_\_. All alternatives must have written approval prior to bidding.

### ENGINEERING APPROVAL

Project: \_\_\_\_\_  
Contractor: \_\_\_\_\_  
Architect/Engineer: \_\_\_\_\_

# POWERS™

A Watts Water Technologies Company



ISO 9001-2000  
CERTIFIED

USA: Phone: 1.800.669.5430 • Fax 1.847.229.0526 • www.powerscontrols.com  
Canada: Phone: 1.888.208.8927 • Fax 1.888.479.2887 • www.powerscontrols.ca