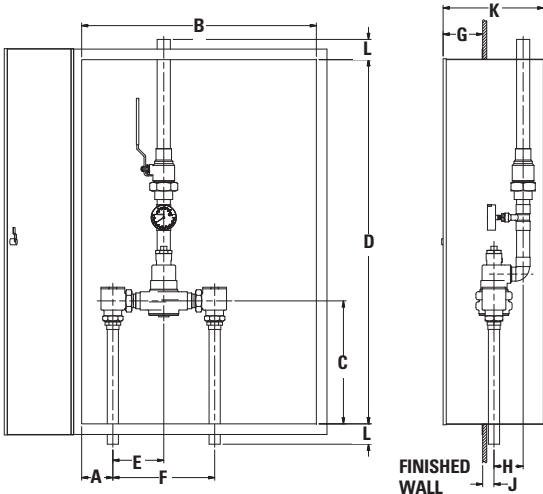


Dimensions ■



Valve	A	B	C	D	E	F	G	H	J	K	L
LFSH1432	3-7/8"	20"	14-3/4"	36"	4-5/8"	9-1/4"	3-1/2"	2-3/4"	1-1/8"	9"	2"
	(98)	(508)	(375)	(914)	(117)	(235)	(89)	(70)	(29)	(229)	(50)
LFSH1434	3-7/8"	29"	15-1/4"	45"	6-1/4"	12-1/2"	4-1/2"	3-5/8"	1-3/8"	12"	2-1/2"
	(98)	(737)	(387)	(1143)	(159)	(318)	(114)	(92)	(35)	(305)	(64)
LFSH1435	4-1/8"	38"	20-1/8"	55-3/4"	7-7/8"	15-3/4"	4"	4-1/4"	2"	13"	2-1/2"
	(105)	(965)	(511)	(1416)	(200)	(400)	(102)	(108)	(51)	(330)	(64)

Note:
Dimensions are shown $\pm 1/2''$
Dimensions in parentheses are in mm

Valve	Inlets	Outlet
LFSH1432	3/4" (20)	1" (25)
LFSH1434	1-1/4" (32)	1-1/2" (40)
LFSH1435	2" (50)	2" (50)

Ordering Information ■



Valve

57 gpm (216 lpm)
127 gpm (481 lpm)
201 gpm (761 lpm)

Order Code

LFSH1432
LFSH1434
LFSH1435

Finish

Rough Bronze
Chrome Plated

A
C

Piping Inlets/Outlet

Bottom/Top

E

Cabinet Style

Stainless Steel, Semi-Recessed
Painted, Semi-Recessed

P
T

View Port

None
Window

Order Code

0
W

Alarm System

None

0

Option

None
Cold Water Bypass
T/P Gauge on Inlets
C/W Bypass & T/P Gauge on Inlets

0
2
4
6

Temperature Range

90°F - 160°F (32°C - 71°C)
60°F - 90°F (16°C - 32°C)

S
W

Recirculation Piping Diagram ■

Please see Piping Diagram Section of this catalog.

Typical Specification ■

Cabinet Supply Fixture (CSF) shall be factory assembled and tested and include a stainless steel or painted steel cabinet. CSF shall feature a HydroGuard® XP LFSH1430 series single-valve hi/lo with advanced paraffin-based actuation technology. The valves shall be constructed using Lead Free* brass. Lead Free* brass valves shall comply with state codes and standards, where applicable, requiring reduced lead content. CSF shall also include copper piping, ball valve(s) and temperature/pressure gauge for diagnostics. The tempering valve shall have union check stops, an outlet temperature range of 90 – 160°F (32° - 71°C) (with lockable means), a single seat design for positive shutoff and an approach temperature of 5°F (3°C). Minimum flows to ASSE 1017 shall be LFSH1432 (1.0 gpm, 4 lpm), LFSH1434 (1.0 gpm, 4 lpm), LFSH1435 (5.0 gpm, 19 lpm).

Valve shall be a Powers model _____. All alternatives must have written approval prior to bidding.

ENGINEERING APPROVAL

Project: _____
Contractor: _____
Architect/Engineer: _____

POWERS™

A Watts Water Technologies Company



USA: Phone: 1.800.669.5430 • Fax 1.847.229.0526 • www.powerscontrols.com
Canada: Phone: 1.888.208.8927 • Fax 1.888.479.2887 • www.powerscontrols.ca