

## For Point-of-Use Water Applications

Job Name \_\_\_\_\_

Contractor \_\_\_\_\_

Job Location \_\_\_\_\_

Approval \_\_\_\_\_

Engineer \_\_\_\_\_

Contractor's P.O. No. \_\_\_\_\_

Approval \_\_\_\_\_

Representative \_\_\_\_\_

# 10 Series Quick-Connect Tees

Sea Tech Quick-Connect Tees are designed and manufactured for many years of trouble free service. Produced of off white polypropylene, a high performance thermoplastic material, the Sea Tech Quick-Connect design allows for quick and easy connections without the use of installation tools.

### Specifications

Connection shall be made using Sea Tech 10 Series Quick-Connect fitting with Integral Collet and O-Ring Guide. Fitting shall be able to fully rotate under pressure and allow easy disconnect and reuse without the use of disconnection tools. Fitting must not disassemble to disconnect.

### Approvals

NSF-61

### Ratings

150psi @ 70°F (10 bar @ 20°C)

60psi @ 140°F (4 bar @ 60°C) Min. 33°F (1°C)

### Example

#### 1024R-04

10 = Series 10

24 = Reducing Tee

R = Reducing

060604 = 3/8" OD x 3/8" OD x 1/4" OD



1023



1024R

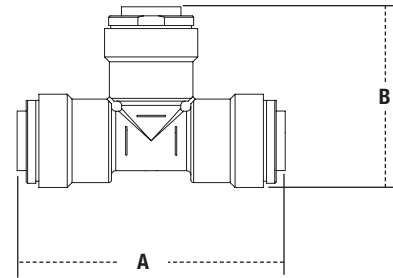
**Caution:** The polypropylene material used in the Quick-Connect fittings can be compromised by exposure to volatile organic compounds (VOC's) and caustic chemicals. Therefore, **DO NOT** expose this product to any such chemical or foreign substance, which would include exposure to the following products: **Pipe Dopes (thread sealants)**, bug sprays, lubricants, cleaners, paints, bleaches, acids, solder fluxes, plastic piping primers and cements, oxidizing agents, alkaline solutions, thinners, fuels, oil based caulks, hydrocarbons, spray foam or foaming agents (insulation).

Sea Tech product specifications in U.S. customary units and metric are approximate and are provided for reference only. For precise measurements, please contact Sea Tech Technical Service. Sea Tech reserves the right to change or modify product design, construction, specifications, or materials without prior notice and without incurring any obligation to make such changes and modifications on Sea Tech products previously or subsequently sold.

**Dimensions – Weights approx.** (tolerance +/- 1/8")

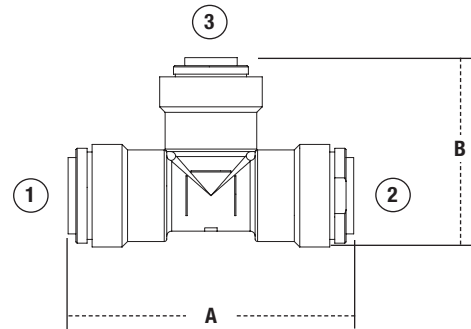
**Type 23 Union Tee**

MODEL	SIZE & CONNECTION	ITEM LENGTH		ITEM HEIGHT		ITEM WEIGHT	
		A <i>in.</i>	<i>mm</i>	B <i>in.</i>	<i>mm</i>	<i>lbs.</i>	<i>kg.</i>
1023-04	1/4" OD	1 7/8	47	1 1/4	32	0.30	8.50
1023-06	3/8" OD	2 1/4	57	1 9/16	39	0.50	14.17
1023-08	1/2" OD	2 5/8	66	1 13/16	45	0.80	22.68



**Type 24R Reducing Tee**

MODEL	SIZE & CONNECTION	ITEM LENGTH		ITEM HEIGHT		ITEM WEIGHT	
		A <i>in.</i>	<i>mm</i>	B <i>in.</i>	<i>mm</i>	<i>lbs.</i>	<i>kg.</i>
1024R-060604	① 3/8" OD x ② 3/8" OD x ③ 1/4" OD	2 1/4	57	1 1/2	38	0.50	14.17
1024R-080806	① 1/2" OD x ② 1/2" OD x ③ 3/8" OD	2 5/8	66	1 13/16	45	0.80	22.68



A Subsidiary of Watts Water Technologies, Inc.



**USA:** 211 Racine Drive, Suite 201, Wilmington, NC 28403; [www.seatechinc.com](http://www.seatechinc.com)  
**Tel:** 1-888-500-0056 • **Fax:** 1-888-500-0057