

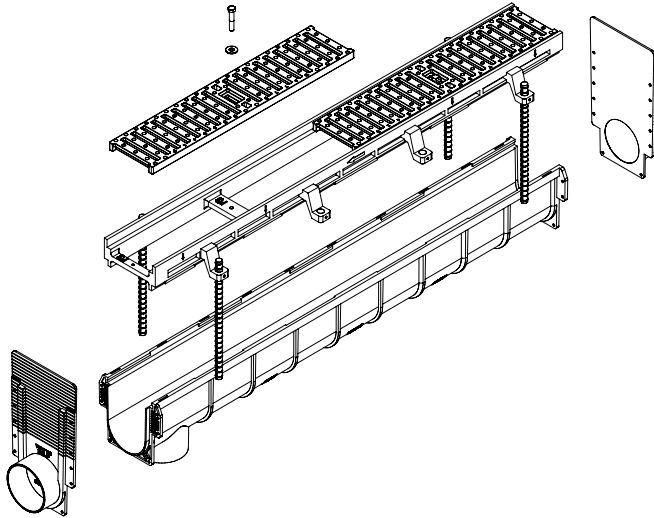


Dead Level™ P

Tag: _____

Pre-Sloped Polypropylene Trench Drain System w/Polypropylene Frame

SPECIFICATION: Watts Dead Level™ P Pre-Sloped Trench Drain System with 6" (152) wide x 48" (1219) long (standard) UV stabilized glass-filled polypropylene frame, UV stabilized talc-filled polypropylene channels with integral 4" (102) No Hub bottom outlet(s). System shall be frame-anchored, with (specify) grating to suit DIN Class (specify) load rating. System to include frame connectors, grate lockdowns, and construction covers. Installation to be performed in accordance with manufacturer's instructions and building code.

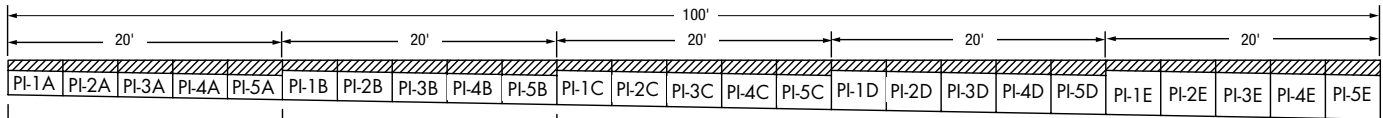


Grate Options:		
Suffix	Description	
-BR	Decorative Bronze	Class B <input type="checkbox"/>
-DI	Ductile Iron	Class C* <input type="checkbox"/>
-DI-ADA	Ductile Iron ADA	Class C* <input type="checkbox"/>
-GDI	Galvanized Ductile Iron	Class C* <input type="checkbox"/>
-PP	Polypropylene	Class A <input type="checkbox"/>
-GP	Galvanized Perforated	Class A <input type="checkbox"/>
-GS	Galvanized Slotted	Class A <input type="checkbox"/>
-RGP	Reinforced Galvanized Perforated	Class C* <input type="checkbox"/>
-RGS	Reinforced Galvanized Slotted	Class C* <input type="checkbox"/>
-SP	Stainless Steel Perforated	Class A <input type="checkbox"/>
-SS	Stainless Steel Slotted	Class A <input type="checkbox"/>
-RSP	Reinforced Stainless Steel Perforated	Class C* <input type="checkbox"/>
-RSS	Reinforced Stainless Steel Slotted	Class C* <input type="checkbox"/>
-SCI	Solid Cast Iron	Class C* <input type="checkbox"/>

*Load Class E with Frame Guards

Options:		
Suffix	Description	
-B6	6"x24"x24" Catch Basin	<input type="checkbox"/>
-B6T	6"x24"x24" Catch Basin w/Trash Basket	<input type="checkbox"/>
-B24	24"x24"x24" Catch Basin (DI Grate Only)	<input type="checkbox"/>
-B24T	24"x24"x24" Catch Basin w/Trash Basket (DI Grate Only)	<input type="checkbox"/>
-FG	Galvanized Steel Frame Guard	<input type="checkbox"/>
-FS	Stainless Steel Frame Guard	<input type="checkbox"/>

Patent# US 7,967,523 B2



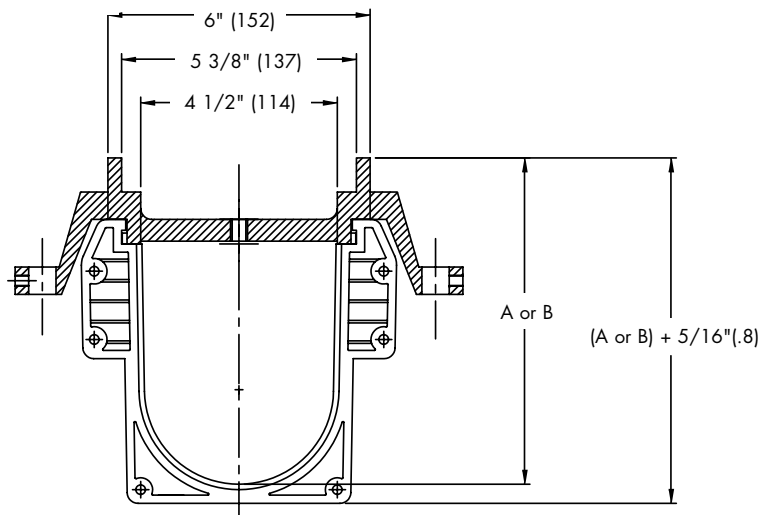
PI-AA-N48

PI-AB-N12
PI-AB-N24
PI-AB-N36
PI-AB-N48

PI-BC-N12
PI-BC-N24
PI-BC-N36
PI-BC-N48

PI-CD-N12
PI-CD-N24
PI-CD-N36
PI-CD-N48

PI-DE-N12
PI-DE-N24
PI-DE-N36
PI-DE-N48



Job Name _____ Contractor _____

Job Location _____ Contractor's P.O. No. _____

Engineer _____ Representative _____

Dead Level™ P Dimensional Data

Part #	Configuration	Length	Weight (lbs.)	Dim. A	Dim. B
PP-AA-N48	Neutral	48" (1219)	9	5-5/8" (143)	5-5/8" (143)
PP-1A	Sloped	48" (1219)	9	5-5/8" (143)	5-15/16" (151)
PP-2A	Sloped	48" (1219)	9	5-15/16" (151)	6-1/4" (159)
PP-3A	Sloped	48" (1219)	9	6-1/4" (159)	6-9/16" (167)
PP-4A	Sloped	48" (1219)	10	6-9/16" (167)	6-7/8" (175)
PP-5A	Sloped	48" (1219)	10	6-7/8" (175)	7-3/16" (183)
PP-AB-N12	Neutral	12" (305)	3	7-3/16" (183)	7-3/16" (183)
PP-AB-N24	Neutral	24" (610)	6	7-3/16" (183)	7-3/16" (183)
PP-AB-N36	Neutral	36" (914)	9	7-3/16" (183)	7-3/16" (183)
PP-AB-N48	Neutral	48" (1219)	10	7-3/16" (183)	7-3/16" (183)
PP-1B	Sloped	48" (1219)	10	7-3/16" (183)	7-1/2" (191)
PP-2B	Sloped	48" (1219)	10	7-1/2" (191)	7-13/16" (198)
PP-3B	Sloped	48" (1219)	10	7-13/16" (198)	8-1/8" (206)
PP-4B	Sloped	48" (1219)	11	8-1/8" (206)	8-7/16" (214)
PP-5B	Sloped	48" (1219)	11	8-7/16" (214)	8-3/4" (222)
PP-BC-N12	Neutral	12" (305)	3	8-3/4" (222)	8-3/4" (222)
PP-BC-N24	Neutral	24" (610)	6	8-3/4" (222)	8-3/4" (222)
PP-BC-N36	Neutral	36" (914)	9	8-3/4" (222)	8-3/4" (222)
PP-BC-N48	Neutral	48" (1219)	10	8-3/4" (222)	8-3/4" (222)
PP-1C	Sloped	48" (1219)	11	8-3/4" (222)	9-1/16" (230)
PP-2C	Sloped	48" (1219)	11	9-1/16" (230)	9-3/8" (238)
PP-3C	Sloped	48" (1219)	11	9-3/8" (238)	9-11/16" (246)
PP-4C	Sloped	48" (1219)	12	9-11/16" (246)	10" (254)
PP-5C	Sloped	48" (1219)	12	10" (254)	10-5/16" (262)
PP-CD-N12	Neutral	12" (305)	3	10-5/16" (262)	10-5/16" (262)
PP-CD-N24	Neutral	24" (610)	6	10-5/16" (262)	10-5/16" (262)
PP-CD-N36	Neutral	36" (914)	9	10-5/16" (262)	10-5/16" (262)
PP-CD-N48	Neutral	48" (1219)	10	10-5/16" (262)	10-5/16" (262)
PP-1D	Sloped	48" (1219)	12	10-5/16" (262)	10-5/8" (270)
PP-2D	Sloped	48" (1219)	12	10-5/8" (270)	10-15/16" (278)
PP-3D	Sloped	48" (1219)	12	10-15/16" (278)	11-1/4" (286)
PP-4D	Sloped	48" (1219)	13	11-1/4" (286)	11-9/16" (294)
PP-5D	Sloped	48" (1219)	13	11-9/16" (294)	11-7/8" (302)
PP-DE-N12	Neutral	12" (305)	4	11-7/8" (302)	11-7/8" (302)
PP-DE-N24	Neutral	24" (610)	7	11-7/8" (302)	11-7/8" (302)
PP-DE-N36	Neutral	36" (914)	10	11-7/8" (302)	11-7/8" (302)
PP-DE-N48	Neutral	48" (1219)	11	11-7/8" (302)	11-7/8" (302)
PP-1E	Sloped	48" (1219)	13	11-7/8" (302)	12-3/16" (310)
PP-2E	Sloped	48" (1219)	13	12-3/16" (310)	12-1/2" (318)
PP-3E	Sloped	48" (1219)	13	12-1/2" (318)	12-13/16" (325)
PP-4E	Sloped	48" (1219)	14	12-13/16" (325)	13-1/8" (333)
PP-5E	Sloped	48" (1219)	14	13-1/8" (333)	13-7/16" (341)

WATTS Drainage reserves the right to modify or change product design or construction without prior notice and without incurring any obligation to make similar changes and modifications to products previously or subsequently sold. See your WATTS Drainage representative for any clarification. Dimensions are subject to manufacturing tolerances.



Specification Drainage Products

USA: Tel: (828) 288-2179 • TOLL-FREE: 1-800-338-2581 • www.watts.com