

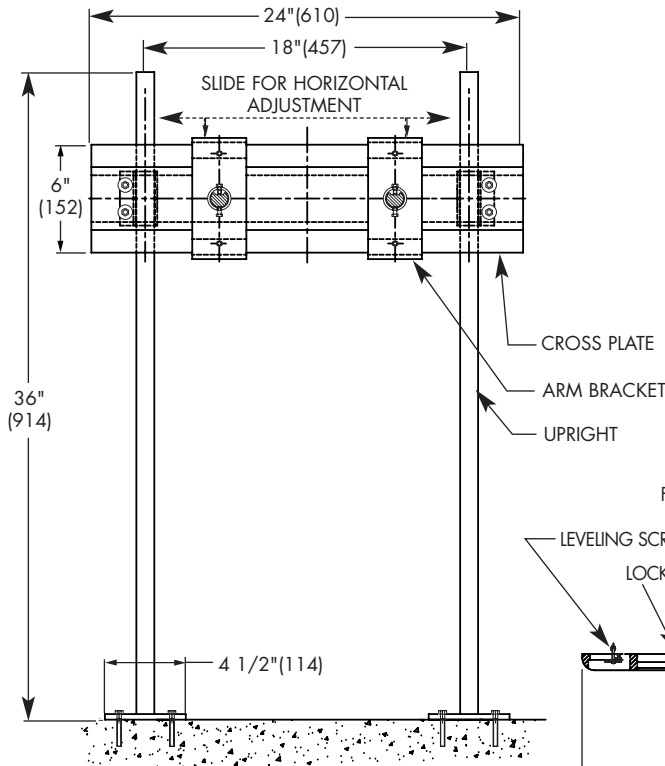


TCA-411-D

Tag: _____

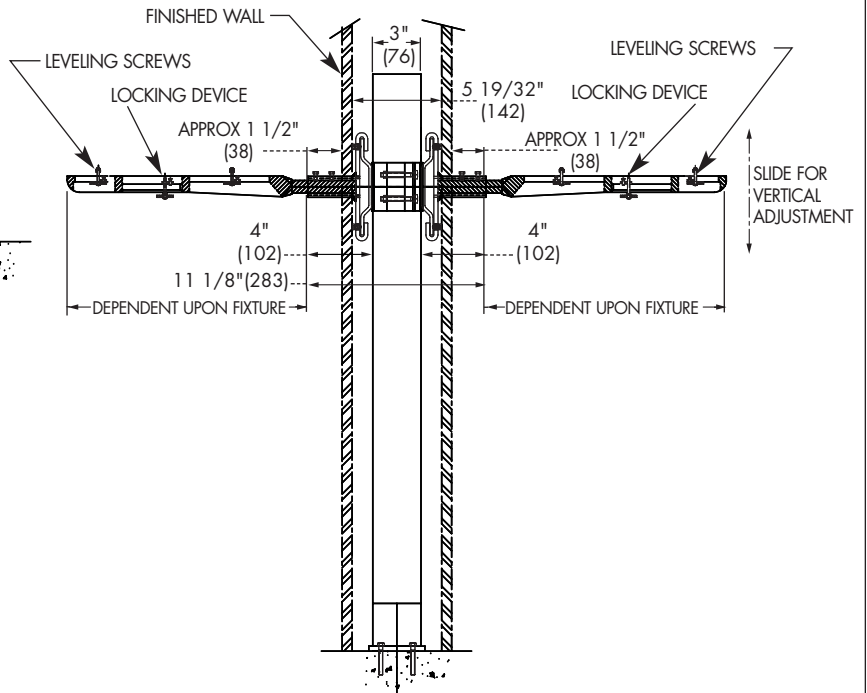
**Back to Back Floor Mounted
Concealed Arm "Track"
Lavatory Carrier**

SPECIFICATION: Watts Drainage TCA-411-D epoxy coated back-to-back floor mounted concealed arm track lavatory carrier with heavy gauge steel offset uprights with welded feet, double steel cross plate with integral mounting brackets, sliding adjustable arm brackets, and adjustable cast iron concealed arms with mounting clips, leveling screws, and basin locking device.



Options (Select One or More)		
Suffix	Description	
-M42	42" Long Carrier Leg	<input type="checkbox"/>
-M54	2" Chrome Plated Escutcheons, Single	<input type="checkbox"/>
-M55	4" Chrome Plated Escutcheons, Single	<input type="checkbox"/>
-M60	Knee Operated Valve Support Plate Single	<input type="checkbox"/>

NOTE: ANCHOR LEGS TO CONCRETE FLOOR WITH MINIMUM 1/2" (13) ANCHOR BOLTS (BY OTHERS)



*Patent Pending

Job Name _____ Contractor _____

Job Location _____ Contractor's P.O. No. _____

Engineer _____ Representative _____

WATTS Drainage reserves the right to modify or change product design or construction without prior notice and without incurring any obligation to make similar changes and modifications to products previously or subsequently sold. See your WATTS Drainage representative for any clarification. Dimensions are subject to manufacturing tolerances.



Specification Drainage Products

USA: 100 Watts Road, Spindale, NC, 28160-2298; TEL: 828-288-2179 TOLL-FREE: 1-800-338-2581 www.watts.com