

# Spools and Flanges



## ■ Specifications

Ames has created the "Make up" Spools for use when retrofitting the Ames "Silver Bullet" backflow preventer into the longer lay length of an existing assembly.

The Ames "Make up" Flanges are for use in piping applications where there is a need for additional fitting lay length.

## ■ Make up Spools

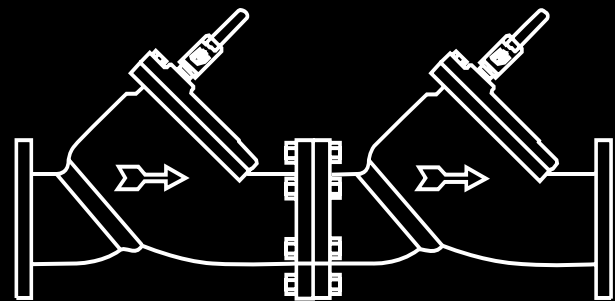
Available in Lightweight 300 series Stainless Steel or Epoxy coated Carbon Steel. AWWA 150# class "D" Carbon Steel Flanges offered as standard. 150# class "D" Stainless Steel Flanges upon special request.

## ■ Make up Flanges

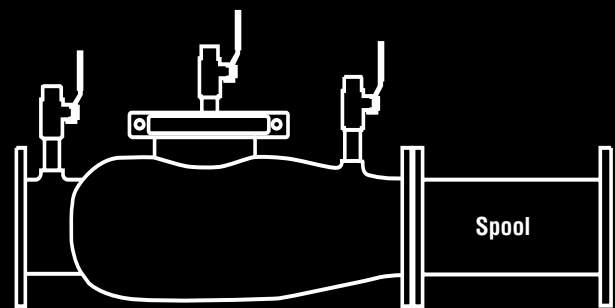
AWWA 150# modified class "D" Zinc plated Carbon Steel Flanges with standard bolt pattern. 150# modified class "D" Zinc Plated Carbon Steel Flanges with standard pattern slotted. 150# modified class "D" Stainless Steel Flanges with standard bolt pattern.

## ■ Quality Assurance

Ames Company is ISO 9001 certified. Our extensive quality assurance program includes continuous inspection through each stage of the production process.



Watts 709



Ames 2000SS with Spool

**EXCELLENCE MATTERS — SPECIFY IT!**

A Division of Watts Industries

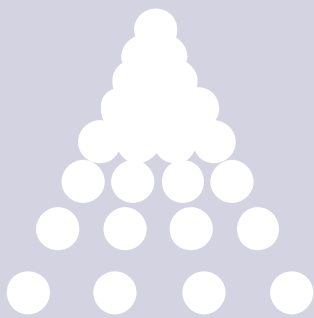
875 National Drive • Suite #107 • Sacramento, CA 95834 • Phone: 916-928-0123 • Fax: 916-928-9333

[www.amesfirewater.com](http://www.amesfirewater.com)



**AMES**

FIRE & WATERWORKS™



## How To Order

Locate the manufacturer and model number under the line size column in the matrix on these two pages. It is assumed that the valve you will be installing is an Ames "Silver Bullet." On the first line across from the model number is the lay length of the valve less gates. On the lines listed below is the valve being replaced. On that line is the lay length of that valve. The column to the right is the length of the spool needed to "make up" the difference between the valve being replaced and the lay length of the "Silver Bullet." Below the spool length is the ordering code for that spool.

## Retrofit Spool Pieces for Various Lengths • Other Manufacturers vs Ames SS

*Size and length of valve being replaced.													
Mfg.	Model	2 1/2**	Actual Spool Length Needed	3**	Actual Spool Length Needed	4**	Actual Spool Length Needed	6**	Actual Spool Length Needed	8**	Actual Spool Length Needed	10**	Actual Spool Length Needed
CONBRACO	40-100	22 1/16"	—	22 1/16"	—	28 1/2"	6 3/8"	42"	14 3/8"	52"	22 3/8"	62 1/16"	32 7/16"
	40-600	—	—	22 1/16"	—	28 1/2"	6 3/8"	42"	14 3/8"	52"	22 3/8"	62 1/16"	32 7/16"
	40-200	22 1/16"	—	22 1/16"	—	28 1/2"	6 3/8"	42"	14 3/8"	52"	22 3/8"	62 1/16"	32 7/16"
	40-700	—	—	22 1/16"	—	28 1/2"	6 3/8"	42"	14 3/8"	52"	—	62 1/16"	—
CLA-VAL	D	27 1/16"	4 15/16"	26 1/16"	3 15/16"	30 1/8"	8"	40 1/8"	12 1/2"	50 3/4"	21 1/8"	59 1/2"	29 7/8"
	RP-4	26 1/16"	3 15/16"	26 1/16"	3 15/16"	30 1/16"	7 15/16"	40 1/16"	12 7/16"	50 1 1/16"	2 1/16"	59 9/16"	29 9/16"
FEBCO	805YD	22 1/8"	—	25 5/8"	3 1/2"	32 3/8"	10 1/4"	38 5/8"	11"	46 1/8"	16 1/2"	58 1/8"	28 1/2"
	850	25 1/2"	3 3/8"	25 5/8"	3 1/2"	28	5 7/8"	32 3/4"	5 1/8"	41 3/4"	12 1/8"	46 3/8"	16 3/4"
	806YD DCDA	—	—	—	—	32 3/8"	10 1/4"	38 5/8"	11"	46 1/8"	16 1/2"	58 1/8"	28 1/2"
	856 DCDA	25 1/2"	3 3/8"	25 5/8"	3 1/2"	28	5 7/8"	32 3/4"	5 1/8"	41 3/4"	12 1/8"	46 3/8"	16 3/4"
	825YD RP	22 1/8"	—	25 5/8"	3 1/2"	32 3/8"	10 1/4"	38 5/8"	11"	46 1/8"	16 1/2"	58 1/8"	28 1/2"
	860	25 1/2"	3 3/8"	25 5/8"	3 1/2"	28	5 7/8"	32 3/4"	5 1/8"	41 3/4"	12 1/8"	46 3/8"	16 3/4"
	826YD RPDA	22 1/8"	—	25 5/8"	3 1/2"	32 3/8"	10 1/4"	38 5/8"	11"	46 1/8"	16 1/2"	58 1/8"	28 1/2"
HERSEY	DC	—	—	24 5/8"	2 1/2"	29 1/2"	7 3/8"	41"	13 3/8"	52 1/2"	22 7/8"	62"	32 3/8"
	RP	21 1/2"	—	24 5/8"	2 1/2"	29 1/2"	7 3/8"	41"	13 3/8"	52 1/2"	22 7/8"	62"	32 3/8"
WATTS	709	24"	1 7/8"	24"	1 7/8"	34	11 7/8"	42 1/2"	14 7/8"	52"	22 3/8"	64"	34 3/8"
	770	—	—	—	—	34 1/8"	12"	41 5/8"	14"	52"	22 3/8"	—	—
	770 DCDA	—	—	—	—	28 15/16"	6 13/16"	37 5/16"	9 1 1/16"	47"	17 3/8"	—	—
	709 DCDA	—	—	24"	1 7/8"	34	11 7/8"	42 1/2"	14 7/8"	52"	22 3/8"	64"	34 3/8"
	909	26 1/8"	4"	26 1/8"	4"	37	14 7/8"	44 1/2"	16 7/8"	55 1/4"	—	67 3/8"	—
	909 RPDA	—	—	26 1/8"	4"	37	14 7/8"	44 1/2"	16 7/8"	55 1/4"	—	67 1/2"	—
WILKINS	550	20"	—	20"	—	28	5 7/8"	36"	8 3/8"	—	—	—	—
	DCDA	20"	—	20"	—	28	5 7/8"	36"	8 3/8"	—	—	—	—
	950	22"	—	22"	—	32	9 7/8"	41"	13 3/8"	48"	18 3/8"	58"	28 3/8"
	950 DA	22"	—	22"	—	32	9 7/8"	41"	13 3/8"	48"	18 3/8"	58"	28 3/8"
	575	20"	—	20"	—	28	5 7/8"	36"	8 3/8"	—	—	—	—
	RPDA	20"	—	20"	—	28	5 7/8"	36"	8 3/8"	—	—	—	—
	975	22"	—	22"	—	32	9 7/8"	41"	13 3/8"	48"	18 3/8"	58"	28 3/8"
	975 DA	22"	—	22"	—	32	9 7/8"	41"	13 3/8"	48"	—	58"	—

Please be advised that due to variations in manufacturing tolerances, the measurements listed can vary from what is installed. Please verify the measurements of the valve being replaced.

Custom lay lengths available upon request.

For Example: when replacing a Watts 4" 709 with an Ames 4" 2000SS you would need a spool that is 11 7/8" long. The slight decrease in the spool's length is to accommodate the flange gasket, approximately 1/8".

Example:

Mfg.	Model	Line Size	Lay Length
Watts	709	4"	34"
Ames	2000SS	4"	22"

Spool Length from chart: 11 7/8" Subtract Lengths: 12"

Ordering code: 7017207

## ■ Retrofit Spool Pieces for Various Lengths • Ames Old Style Epoxy vs Ames SS

\*Size and length of valve being replaced.

Model	2 1/2**	Actual Spool Length Needed	3**	Actual Spool Length Needed	4**	Actual Spool Length Needed	6**	Actual Spool Length Needed	8**	Actual Spool Length Needed	10**	Actual Spool Length Needed
2000 SS	22"	—	22"	—	22"	—	27 1/2"	—	29 1/2"	—	29 1/2"	—
2000 DCDC	—	—	—	—	33"	10 7/8"	45"	17 3/8"	53"	23 3/8"	57 3/4"	28 1/8"
2000 DCA	—	—	—	—	27 1/2"	5 3/8"	37 7/8"	10 1/4"	45 3/4"	16 1/8"	57 3/4"	28 1/8"
2000 SE	15 3/4"	—	—	—	—	—	20"	—	29 1/2"	—	—	—
2001 SS	—	—	20"	—	16 1/2"	—	22 1/2"	—	22 1/2"	—	—	—
2000 CIV	—	—	—	—	34"	11 7/8"	41 1/2"	13 3/8"	52"	22 3/8"	64"	34 3/8"
3000 SS	22"	—	22"	—	22"	—	27 1/2"	—	29 1/2"	—	29 1/2"	—
3000 DCDC	—	—	—	—	33"	10 7/8"	45"	17 3/8"	53"	23 3/8"	57 3/4"	28 1/8"
3000 DCDA	—	—	—	—	27 1/2"	5 3/8"	37 7/8"	10 1/4"	45 3/4"	16 1/8"	57 3/4"	28 1/8"
3000 SE	15 3/4"	—	—	—	—	—	20"	—	29 1/2"	—	—	—
3001 SS	—	—	20"	—	16 1/2"	—	22 1/2"	—	22 1/2"	—	—	—
3000 CIV	—	—	—	—	34"	11 7/8"	41 1/2"	13 3/8"	52"	22 3/8"	64"	34 3/8"
4000 SS	22"	—	22"	—	22"	—	27 1/2"	—	29 1/2"	—	29 1/2"	—
4000 RP	—	—	—	—	27 1/2"	5 3/8"	37 7/8"	10 1/4"	45 3/4"	16 1/8"	45 3/4"	16 1/8"
4001 SS	—	—	20"	—	16 1/2"	—	22 1/2"	—	—	—	—	—
4000 CIV	26 1/8"	4"	26 1/8"	4"	37"	14 7/8"	44 1/2"	16 7/8"	55 1/4"	25 5/8"	67 3/8"	37 3/4"
5000 SS	22"	—	22"	—	22"	—	27 1/2"	—	—	—	—	—
5000 RPDA	—	—	—	—	27 1/2"	5 3/8"	37 7/8"	10 1/4"	45 3/4"	—	45 3/4"	—
5001 SS	—	—	20"	—	16 1/2"	—	22 1/2"	—	—	—	—	—
5000 CIV	26 1/8"	4"	26 1/8"	4"	37"	14 7/8"	44 1/2"	16 7/8"	55 1/4"	—	67 3/8"	—

## ■ Spool Sizes and Lengths

2 1/2"			3"		
Ordering Code	Length	Description	Ordering Code	Length	Description
7017187	1 7/8"	SPOOL, 2 1/2" X 1 7/8"	7017192	1 7/8"	SPOOL, 3" X 1 7/8"
7017188	3 3/8"	SPOOL, 2 1/2" X 3 3/8"	7017193	2 1/2"	SPOOL, 3" X 2 1/2"
7017189	3 15/16"	SPOOL, 2 1/2" X 3 15/16"	7017194	3 1/2"	SPOOL, 3" X 3 1/2"
7017190	4"	SPOOL, 2 1/2" X 4"	7017195	3 15/16"	SPOOL, 3" X 3 15/16"
7017191	4 15/16"	SPOOL, 2 1/2" X 4 15/16"	7017196	4"	SPOOL, 3" X 4"

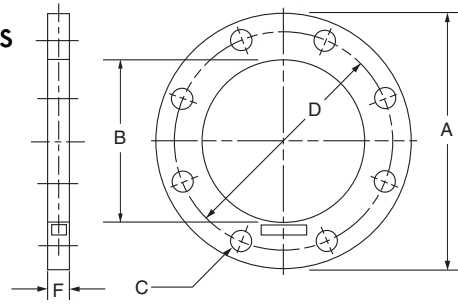
4"			6"			8"			10"		
Ordering Code	Length	Description	Ordering Code	Length	Description	Ordering Code	Length	Description	Ordering Code	Length	Description
7017197	5 3/8"	SPOOL, 4" X 5 3/8"	7017210	5 1/8"	SPOOL, 6" X 5 1/8"	7017224	12 1/8"	SPOOL, 8" X 12 1/8"	7017235	16 1/8"	SPOOL, 10" X 16 1/8"
7017198	5 7/8"	SPOOL, 4" X 5 7/8"	7017211	8 3/8"	SPOOL, 6" X 8 3/8"	7017225	16 1/8"	SPOOL, 8" X 16 1/8"	7017236	16 3/4"	SPOOL, 10" X 16 3/4"
7017199	6 3/8"	SPOOL, 4" X 6 3/8"	7017212	9 1/16"	SPOOL, 6" X 9 1/16"	7017226	16 1/2"	SPOOL, 8" X 16 1/2"	7017237	28 1/8"	SPOOL, 10" X 28 1/8"
7017200	6 13/16"	SPOOL, 4" X 6 13/16"	7017213	10 1/4"	SPOOL, 6" X 10 1/4"	7017227	17 3/8"	SPOOL, 8" X 17 3/8"	7017238	28 3/8"	SPOOL, 10" X 28 3/8"
7017201	7 3/8"	SPOOL, 4" X 7 3/8"	7017214	11"	SPOOL, 6" X 11"	7017228	18 3/8"	SPOOL, 8" X 18 3/8"	7017239	28 1/2"	SPOOL, 10" X 28 1/2"
7017202	7 15/16"	SPOOL, 4" X 7 15/16"	7017215	12 7/16"	SPOOL, 6" X 12 7/16"	7017229	21 1/16"	SPOOL, 8" X 21 1/16"	7017240	29 7/8"	SPOOL, 10" X 29 7/8"
7017203	8"	SPOOL, 4" X 8"	7017216	12 1/2"	SPOOL, 6" X 12 1/2"	7017230	21 1/8"	SPOOL, 8" X 21 1/8"	7017241	29 15/16"	SPOOL, 10" X 29 15/16"
7017204	9 7/8"	SPOOL, 4" X 9 7/8"	7017217	13 3/8"	SPOOL, 6" X 13 3/8"	7017231	22 3/8"	SPOOL, 8" X 22 3/8"	7017242	32 3/8"	SPOOL, 10" X 32 3/8"
7017205	10 1/4"	SPOOL, 4" X 10 1/4"	7017218	13 7/8"	SPOOL, 6" X 13 7/8"	7017232	22 7/8"	SPOOL, 8" X 22 7/8"	7017243	32 7/16"	SPOOL, 10" X 32 7/16"
7017206	10 7/8"	SPOOL, 4" X 10 7/8"	7017219	14"	SPOOL, 6" X 14"	7017233	23 3/8"	SPOOL, 8" X 23 3/8"	7017244	34 3/8"	SPOOL, 10" X 34 3/8"
7017207	11 7/8"	SPOOL, 4" X 11 7/8"	7017220	14 3/8"	SPOOL, 6" X 14 3/8"	7017234	25 5/8"	SPOOL, 8" X 25 5/8"	7017245	37 3/4"	SPOOL, 10" X 37 3/4"
7017208	12"	SPOOL, 4" X 12"	7017221	14 7/8"	SPOOL, 6" X 14 7/8"						
7017209	14 7/8"	SPOOL, 4" X 14 7/8"	7017222	16 7/8"	SPOOL, 6" X 16 7/8"						
			7017223	17 3/8"	SPOOL, 6" X 17 3/8"						

## ■ "Make Up" Flanges

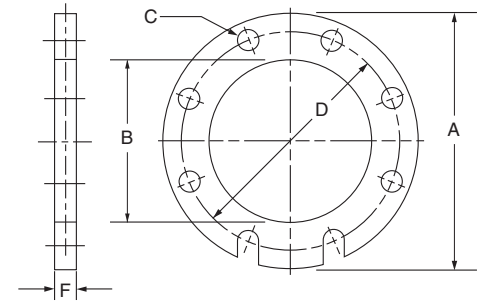
Available Thickness

1/4" & 1/2" Stainless Steel

1/2" & 1" Zinc Plated  
Carbon Steel



Unslotted



Slotted

## ■ AWWA C207 Modified Class D Spacer Flanges

Size	STD.	MTL	Ordering Code	A Fig. OD ±1/8	B Fig. ID +1/16-0	C Bolt Hole Size	D Bolt Circle ±1/16	E # Holes	F Thickness ±1/8	Comments
2"	AWWA D	304 SS	7017157	6"	2.44"	3/4"	4 3/4"	4	1/4"	UNSLOTTED
2"	AWWA D	304 SS	7017158	6"	2.44"	3/4"	4 3/4"	4	1/2"	UNSLOTTED
2"	AWWA D	304 SS	7017171	6"	2.44"	3/4"	4 3/4"	4	1/4"	SLOTTED
2"	AWWA D	304 SS	7017172	6"	2.44"	3/4"	4 3/4"	4	1/2"	SLOTTED
2 1/2"	AWWA D	304 SS	7017159	7"	2.94"	3/4"	5 1/2"	4	1/4"	UNSLOTTED
2 1/2"	AWWA D	304 SS	7017160	7"	2.94"	3/4"	5 1/2"	4	1/2"	UNSLOTTED
2 1/2"	AWWA D	304 SS	7017173	7"	2.94"	3/4"	5 1/2"	4	1/4"	SLOTTED
2 1/2"	AWWA D	304 SS	7017174	7"	2.94"	3/4"	5 1/2"	4	1/2"	SLOTTED
3"	AWWA D	ZINC	7016911	7 1/2"	3.57"	3/4"	6"	4	1/2"	UNSLOTTED
3"	AWWA D	ZINC	7016912	7 1/2"	3.57"	3/4"	6"	4	1"	UNSLOTTED
3"	AWWA D	ZINC	7016919	7 1/2"	3.57"	3/4"	6"	4	1/2"	SLOTTED
3"	AWWA D	ZINC	7016920	7 1/2"	3.57"	3/4"	6"	4	1"	SLOTTED
3"	AWWA D	304 SS	7017161	7 1/2"	3.57"	3/4"	6"	4	1/4"	UNSLOTTED
3"	AWWA D	304 SS	7017162	7 1/2"	3.57"	3/4"	6"	4	1/2"	UNSLOTTED
3"	AWWA D	304 SS	7017175	7 1/2"	3.57"	3/4"	6"	4	1/4"	SLOTTED
3"	AWWA D	304 SS	7017176	7 1/2"	3.57"	3/4"	6"	4	1/2"	SLOTTED
4"	AWWA D	ZINC	7016913	9"	4.57"	3/4"	7 1/2"	8	1/2"	UNSLOTTED
4"	AWWA D	ZINC	7016914	9"	4.57"	3/4"	7 1/2"	8	1"	UNSLOTTED
4"	AWWA D	ZINC	7016921	9"	4.57"	3/4"	7 1/2"	8	1/2"	SLOTTED
4"	AWWA D	ZINC	7016922	9"	4.57"	3/4"	7 1/2"	8	1"	SLOTTED
4"	AWWA D	304 SS	7017163	9"	4.57"	3/4"	7 1/2"	8	1/4"	UNSLOTTED
4"	AWWA D	304 SS	7017164	9"	4.57"	3/4"	7 1/2"	8	1/2"	UNSLOTTED
4"	AWWA D	304 SS	7017177	9"	4.57"	3/4"	7 1/2"	8	1/4"	SLOTTED
4"	AWWA D	304 SS	7017178	9"	4.57"	3/4"	7 1/2"	8	1/2"	SLOTTED
6"	AWWA D	ZINC	7016915	11"	6.72"	7/8"	9 1/2"	8	1/2"	UNSLOTTED
6"	AWWA D	ZINC	7016916	11"	6.72"	7/8"	9 1/2"	8	1"	UNSLOTTED
6"	AWWA D	ZINC	7016923	11"	6.72"	7/8"	9 1/2"	8	1/2"	SLOTTED
6"	AWWA D	ZINC	7016924	11"	6.72"	7/8"	9 1/2"	8	1"	SLOTTED
6"	AWWA D	304 SS	7017165	11"	6.72"	7/8"	9 1/2"	8	1/4"	UNSLOTTED
6"	AWWA D	304 SS	7017166	11"	6.72"	7/8"	9 1/2"	8	1/2"	UNSLOTTED
6"	AWWA D	304 SS	7017179	11"	6.72"	7/8"	9 1/2"	8	1/4"	SLOTTED
6"	AWWA D	304 SS	7017180	11"	6.72"	7/8"	9 1/2"	8	1/2"	SLOTTED
8"	AWWA D	ZINC	7016917	13 1/2"	8.72"	7/8"	11 3/4"	8	1/2"	UNSLOTTED
8"	AWWA D	ZINC	7016918	13 1/2"	8.72"	7/8"	11 3/4"	8	1"	UNSLOTTED
8"	AWWA D	ZINC	7016925	13 1/2"	8.72"	7/8"	11 3/4"	8	1/2"	SLOTTED
8"	AWWA D	ZINC	7016926	13 1/2"	8.72"	7/8"	11 3/4"	8	1"	SLOTTED
8"	AWWA D	304 SS	7017167	13 1/2"	8.72"	7/8"	11 3/4"	8	1/4"	UNSLOTTED
8"	AWWA D	304 SS	7017168	13 1/2"	8.72"	7/8"	11 3/4"	8	1/2"	UNSLOTTED
8"	AWWA D	304 SS	7017181	13 1/2"	8.72"	7/8"	11 3/4"	8	1/4"	SLOTTED
8"	AWWA D	304 SS	7017182	13 1/2"	8.72"	7/8"	11 3/4"	8	1/2"	SLOTTED
10"	AWWA D	304 SS	7017169	16"	10.81"	1"	14 1/4"	12	1/4"	UNSLOTTED
10"	AWWA D	304 SS	7017170	16"	10.81"	1"	14 1/4"	12	1/2"	UNSLOTTED
10"	AWWA D	304 SS	7017183	16"	10.81"	1"	14 1/4"	12	1/4"	SLOTTED
10"	AWWA D	304 SS	7017184	16"	10.81"	1"	14 1/4"	12	1/2"	SLOTTED



A Division of Watts Industries

www.amesfirewater.com



875 National Drive • Suite #107 • Sacramento, CA 95834 • Phone: 916-928-0123 • Fax: 916-928-9333