

For Commercial and Food Service Applications

Job Name _____
 Job Location _____
 Engineer _____
 Approval _____

Contractor _____
 Approval _____
 Contractor's P.O. No. _____
 Representative _____

OneFlow® Anti-Scale¹ System

Models OF110-1, OF120-2 and OF140-4

Connection Sizes: 1/2" and 3/4" (15 and 20mm)

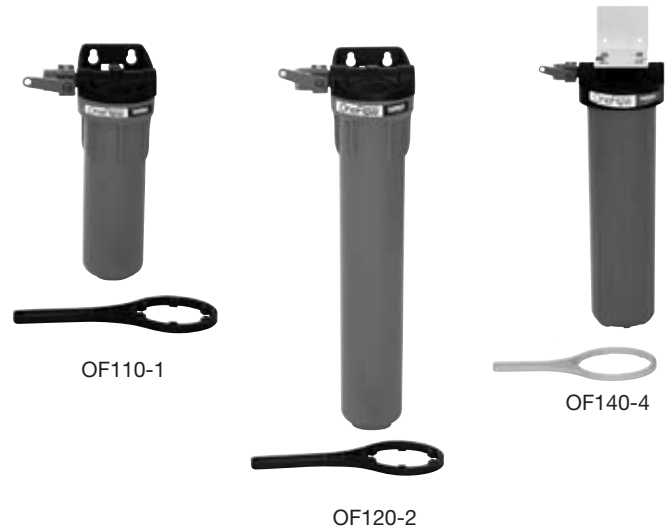
The OneFlow Anti-Scale¹ System provides protection from scale formation on internal and external plumbing surfaces. The OneFlow system is a single cartridge-based system that may be installed on a cold water line prior to a water-using device (water heater, hot-beverage system, appliance, steamer etc.) that requires protection from the ill effects of hard water.

OneFlow prevents scale¹ by transforming dissolved hardness minerals into harmless, inactive microscopic crystal particles. These crystals stay suspended in the water and are passed to drain thereby having a greatly reduced ability to react negatively like dissolved hardness does. The system requires very little maintenance, no backwashing, no salt and no electricity. Typical hardness problems, especially build-up of scale in pipes, water heaters, boilers and on fixtures are no longer a concern.

OneFlow is not a water softener. It does not add chemicals. It is a scale prevention device with proven third party laboratory test data and years of successful Food Service and Commercial applications. OneFlow is the intelligent scale solution and is a great alternative to water softening (ion exchange) or scale sequestering devices.

Features

- Chemical free scale prevention¹ and protection - converts hardness minerals to harmless, inactive microscopic crystals making OneFlow an effective alternative technology to a water softener for the prevention of scale due to water hardness
- Virtually maintenance free - No salt bags or other chemicals to constantly add or maintain
- No control valve, no electricity and no wastewater
- Uses environmentally friendly "green" technology
- Improves efficiency of all water appliances whether heating the water or not
- Simple sizing & installation – all you need to know is pipe size and flow rate
- Perfect system for restaurants, cafeterias and coffee shops where multiple or single equipment protection is desired for longer equipment life and reduced energy consumption
- Inlet ball valve for easy isolation shutoff and filter changes
- OneFlow does not remove the essential minerals in water that are linked to good health
- OneFlow cartridge-based systems are easily maintained; change the cartridge once per year



Part #	Model	Maximum Flow Rate	Connection sizes FNPT
DOR-OF110 - 1	OF110 - 1	1.5 gpm (5.7 lpm)	1/2" (15mm)
DOR-OF120 - 2	OF120 - 2	3.0 gpm (11.3 lpm)	1/2" (15mm)
DOR-OF140 - 4	OF140 - 4	4.0 gpm (15 lpm)	3/4" (20mm)

Replacement Cartridge

Part #	Model	
DOR-OF110RM	OF110RM	Cartridge should be replaced every 12 months
DOR-OF120RM	OF120RM	Cartridge should be replaced every 12 months
DOR-OF140RM	OF140RM	Cartridge should be replaced every 12 months



6015 Enterprise Drive, Export, PA 15632
 1-800-DORMONT • FAX: 733-733-4808
 Manufactured by Facility #1, USA
 Plano, TX 75074

Specifications

A OneFlow scale prevention¹ system shall be installed on the cold water service line to condition the tap water just prior to the service line feeding the equipment it is designed to protect. The system will be sized for maximum or peak flow rate based on the specification of said equipment. A OneFlow system may also be installed to protect multiple pieces of equipment from the ill-effects of hard water scale provided the aggregate peak flow rate for each piece of equipment it is protecting has been considered. The system shall be plumbed with a bypass valve to allow isolation of filter housing to allow the bypass of untreated water in the event that service or cartridge replacement be necessary. The installation area should be suitable in size for the housing to be serviced without encumbrance and the system should be installed per the Installation, Operation & Maintenance manual as provided with each system.

The OneFlow system must not require additional waste water to backwash, flush, or regenerate once put into service. The system shall not require any chemical additives and shall not require electricity for operation.

Do not use on water that is microbiologically unsafe or of unknown quality without adequate disinfection before or after the system.

Water Chemistry & Limitations

pH	6.5 to 8.5
Hardness (maximum)	75 grains (1300 ppm CaCO ₃)
Temperature	41°F to 100°F (5 to 38°C)
Chlorine	< 3 ppm
Iron (maximum)	0.3 mg/l
Manganese (maximum)	0.05 mg/l
Copper (maximum)	1.3 mg/l
Oil & H ₂ S	none allowed
Polyphosphate	none allowed
Silica (maximum)	10 ppm

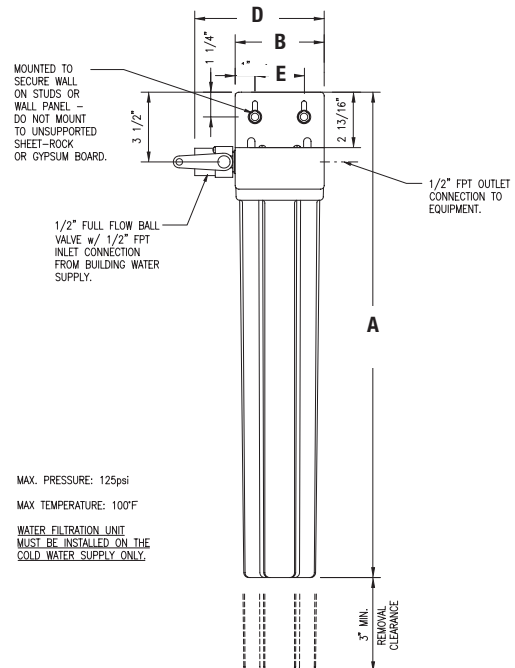
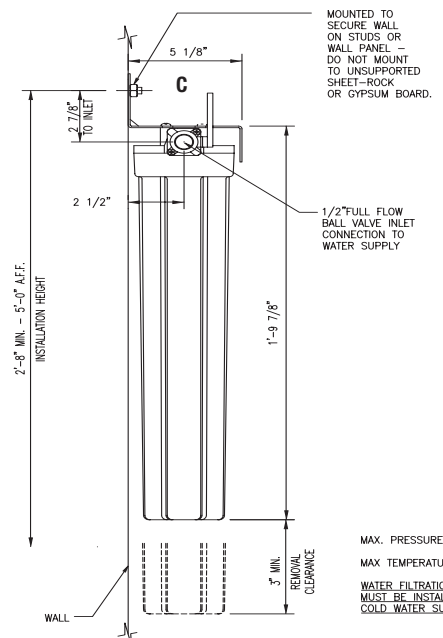
Standards

DVGW – German Technical and Scientific Association for Gas & Water
OneFlow meets standard W-512 for testing Physical Water Treatment devices for Scale Prevention and achieved an efficiency rating of 99.6% for scale prevention.

OneFlow media has been tested and certified for material safety to NSF/ANSI Standard 42.

Performance

Chlorine, Taste, and Odor Reduction Capacity	N/A
Service Flow Rate	Detailed on front
Sediment Reduction	N/A
Scale Inhibitor ¹	OneFlow®



Dimensions – Weights

Scale System	Dimensions										Weight			Replacement Cartridges	
	A		B		C		D		E		lbs.	kgs	UPC Code	Part Number	UPC Code
Part Number	in.	mm	in.	mm	in.	mm	in.	mm	in.	mm					
DOR-OF110-1	14 1/2	37	4 1/2	11	5 1/8	13	6 5/8	17	2 1/2	6	5	2.3	662447105740	DOR-OF110RM	662447105801
DOR-OF120-2	24 1/2	62	4 1/2	11	5 1/8	13	6 5/8	17	2 1/2	6	8	3.6	662447105757	DOR-OF120RM	662447105818
DOR-OF140-4	26	66	7 3/4	20	8 5/8	22	9 13/16	25	5 3/4	15	18	8.2	662447105764	DOR-OF140RM	662447105825

The overall height and the height of the inlet fitting varies due to material variations and assembly tolerances. Please allow additional clearance above the tank for making connections.

1-OneFlow Scale Inhibiting technology tested & verified by independent laboratory testing*.

* Contact Dormont Manufacturing customer service at 800-DORMONT for details on independent test data



Component



1-800-DORMONT • www.dormont

The OneFlow elements OF110RM, OF120RM and OF140RM are certified by NSF International against NSF/ANSI Standard 42 for material requirements only.