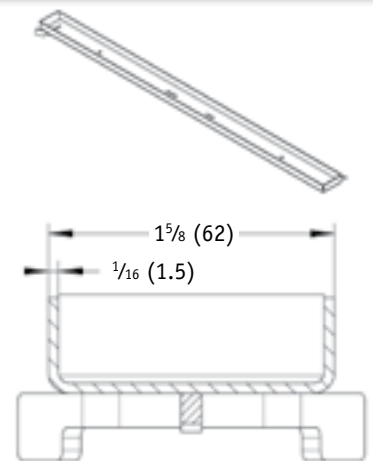


BLÜCHER® SHOWER



Tokyo Invisible Shower Channel

- Beautiful integration with bathroom design
- Manufactured from AISI type 304 stainless steel
- Ideal for hotel, resort, health care, and fitness center applications
- Fill channel grating with the same tile as laid on the floor
- Maximum tile thickness $\frac{3}{8}$ " (10)
- Models for free standing or against the wall installations

Contact your BLÜCHER representative for more information

BLÜCHER®

A Watts Water Technologies Company

USA: 100 Watts Road, Spindale, NC, 28160-2298; www.blucherdrains.com
Canada: 5435 North Service Rd., Burlington, ONT. L7L 5H7; www.blucherdrains.ca