

BACKFLOW PREVENTION REPAIR KITS AND PARTS



List Prices

Effective May 31, 2011

**All prices supersede previous issues, are temporary
and subject to change without notice.**

Now includes our

LEAD FREE*

product offering

Electronic is Green!

For the latest Ames pricing information in electronic format, visit our Data Exchange at:

<http://www.wattswater.com/dataexchange>

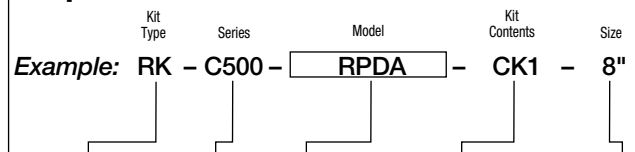
- Download product and list price data in .csv, .pdf, .tsv, .xls and .xml formats
- Easy access to list price data for business systems
- Sign up for e-mail alerts when data is updated
- Access other Watts Water Technologies brands pricing data

TABLE OF CONTENTS

Series	Size	Page
Section 1 – Single Check Valves		
1000DCV	4" – 10"	1
1000SS DCV	4" – 10"	2
Section 2 – Double Check Valve Assemblies, Double Check Detector Assemblies		
200B	1/2" – 2"	3
2000B	1/2" – 2"	4
3000B	2"	5
C200, C300	2 1/2" – 10"	6
C200(a), C300(a)	2 1/2" – 6"	6
M200, M300	2 1/2" – 10"	7
M200(a), M300(a)	2 1/2" – 4"	8
2000SS, 3000SS	2 1/2" – 6"	8
2000SE, 3000SE	6" and 8"	9
2000SS	8" – 12"	9
3000SS	8" – 12"	10
2001SS	3" – 8"	10
3001SS	3" – 8"	11
2000CIV	2 1/2" – 3"	11
3000CIV	2 1/2" – 3"	12
2000CIV	4" – 10"	12
3000CIV	4" – 10"	12
2000DCA	4" – 10"	13
3000DCDA	4" – 10"	13
2000DC	4" – 10"	14
3000DCDC	4" – 10"	14
Section 3 – Reduced Pressure Zone Assemblies, Reduced Pressure Detector Assemblies		
400B	1/4" – 2"	15
4000B	1/2" – 2"	16
C400, C500	2 1/2" – 10"	17
M400, M500	2 1/2" – 10"	18
C400, C500 Relief Valve		19
4000SS	2 1/2" – 6"	20
5000SS	2 1/2" – 6"	20
4000SS	8" – 10"	25
40001SS	3" – 6"	21 – 22
50001SS	3" – 6"	21 – 22
4000CIV	2 1/2" – 3"	23
4000CIV	4" – 10"	24
5000CIV	2 1/2" – 10"	25-26
4000RP	4" – 10"	27
5000RPDA	4" – 10"	28
4000 Relief Valve	4" – 10"	29

Series	Size	Page
Section 4 – Miscellaneous		
A100	3/4" – 2"	30
A200	1/2" – 2"	30
FFF, FPP, ASCV	3" – 10"	31
Section 5 – Accessories		
Air Gaps		32
Elbows		32
Test Cocks		32
Test Kit		32
Meters		32
Ball Valves/Ball Valve Handle Kits		32
Butterfly Valves		33
Gate Valves		33
Valve Stand		32
Bypass Assemblies		34-36

Repair Kit Matrix



Kit Type	Series	Model	Kit Contents	Size
RK = Repair Kit			B = Bonnet Assembly	
HK = Handle Kit			C = Cover	
AK = Accessory Kit			V = Vent or Relief Valve	
UK = Union Kit			CK = Check or Spring	
			RC = Rubber for Check	
			RV = Rubber for Relief Valve	
			RT = Total Rubber Parts	
			S = Seat	
			M = Metered Bypass	
			L = Less Meter	
			G = GPM	
			C = CFM	
			T = Total (all internal parts)	
			1 = First Check	
			2 = Second Check	
			3 = Both 1st and 2nd Check	
			4 = Either 1st or 2nd Check	
			SS = Stainless Steel	
			SM = Spring Module	

Freight Terms All shipments are F.O.B. shipping point. Shipments from factory less than 1000 lbs. are F.O.B. factory. Factory shipments OF \$5000 net and over within the continental U.S.A. will be prepaid and allowed when made at the lowest motor carrier transportation rate.

Terms of Sale All sales are F.O.B. shipping point.

Payment Terms The invoices are due and payable 30 days from the date of invoice. A 2% cash discount allowed on net amount of invoice if paid on or before the 10th of the following month. Invoices dated on or after the 25th will be considered as dated the first of the next month. Postmark on envelope will be considered date of check.

Purchase Order Forms Orders submitted on customers own purchase order forms will be accepted only with the express understanding that no statements, clauses, or conditions contained in said order form will be binding on the Seller if they in any way modify the Seller's own terms and conditions of sales.

Stocking Wholesaler Minimum Charge A minimum billing charge of \$100.00 applies to shipments F.O.B. factory. Stocking Wholesalers Customers are encouraged to order sufficient materials to avoid this charge which is necessitated by costs of processing small orders.

Minimum Charge A minimum billing charge of \$100.00 applies to shipments F.O.B. factory, necessitated by costs of processing small orders.

Special Products Orders for special or modified products are non-cancelable.

Limited Warranty Ames Fire & Waterworks (the "Company") warrants each product to be free from defects in material and workmanship under normal usage for a period of one year from the date of original shipment. In the event of such defects within the warranty period, the Company will, at its option, replace or recondition the product without charge.

THE WARRANTY SET FORTH HEREIN IS GIVEN EXPRESSLY AND IS THE ONLY WARRANTY GIVEN BY THE COMPANY WITH RESPECT TO THE PRODUCT. THE COMPANY MAKES NO OTHER WARRANTIES, EXPRESS OR IMPLIED. THE COMPANY HEREBY SPECIFICALLY DISCLAIMS ALL OTHER WARRANTIES, EXPRESS OR IMPLIED, INCLUDING BUT NOT LIMITED TO THE IMPLIED WARRANTIES OF MERCHANTABILITY AND FITNESS FOR A PARTICULAR PURPOSE.

The remedy described in the first paragraph of this warranty shall constitute the sole and exclusive remedy for breach of warranty, and the Company shall not be responsible for any incidental, special or consequential damages, including without limitation, lost profits or the cost of repairing or replacing other property which is damaged if this product does not work properly, other costs resulting from labor charges, delays, vandalism, negligence, fouling caused by foreign material, damage from adverse water conditions, chemical, or any other circumstances over which the Company has no control. This warranty shall be invalidated by any abuse, misuse, misapplication, improper installation or improper maintenance or alteration of the product. Some States do not allow limitations on how long an implied warranty lasts, and some States do not allow the exclusion or limitation of incidental or consequential damages. Therefore the above limitations may not apply to you. This Limited Warranty gives you specific legal rights, and you may have other rights that vary from State to State. You should consult applicable state laws to determine your rights. **SO FAR AS IS CONSISTENT WITH APPLICABLE STATE LAW, ANY IMPLIED WARRANTIES THAT MAY NOT BE DISCLAIMED, INCLUDING THE IMPLIED WARRANTIES OF MERCHANTABILITY AND FITNESS FOR A PARTICULAR PURPOSE, ARE LIMITED IN DURATION TO ONE YEAR FROM THE DATE OF ORIGINAL SHIPMENT.**

Service Policy For inoperative products beyond the warranty period, we assume no liability for replacement of valves due to service conditions beyond our control.

Returned Goods Minimum Charge No material shall be returned without authorization. When credit is issued it will be at the price charged, or prevailing price if lower, less handling charged based on costs of reconditioning, boxing, etc. However, a minimum 25% handling charge will apply. A minimum handling charge of \$20.00 is applied whenever the 25% handling deduction does not total \$20.00. Products which are obsolete or made to special order are not returnable.

Note Prices and terms are subject to change without notice and supersede all previous quotations. The right is reserved to change or modify products design or construction without prior notice and without incurring any obligation to make such changes and modifications on products previously or subsequently sold.

Series 1000DCV Epoxy Single Check Valve 4" – 10"

ORDERING CODE	KIT NO.	SIZE	LIST PRICE
---------------	---------	------	------------

Cover Kits

LEAD FREE	7010142	ARK EPOXY C	4"	\$1121.95
	7010143	ARK EPOXY C	6"	468.85
	7010144	ARK EPOXY C	8" - 10"	668.60

Kit includes: Cover, Cover Gasket, Vent Screw and Cover Hardware

Seat Kits

7010145	ARK EPOXY S	4"	156.10
7010146	ARK EPOXY S	6"	233.90
7010147	ARK EPOXY S	8" - 10"	340.40

Kit includes: Seat, Seat O-Ring and Cover Gasket

Check Kits

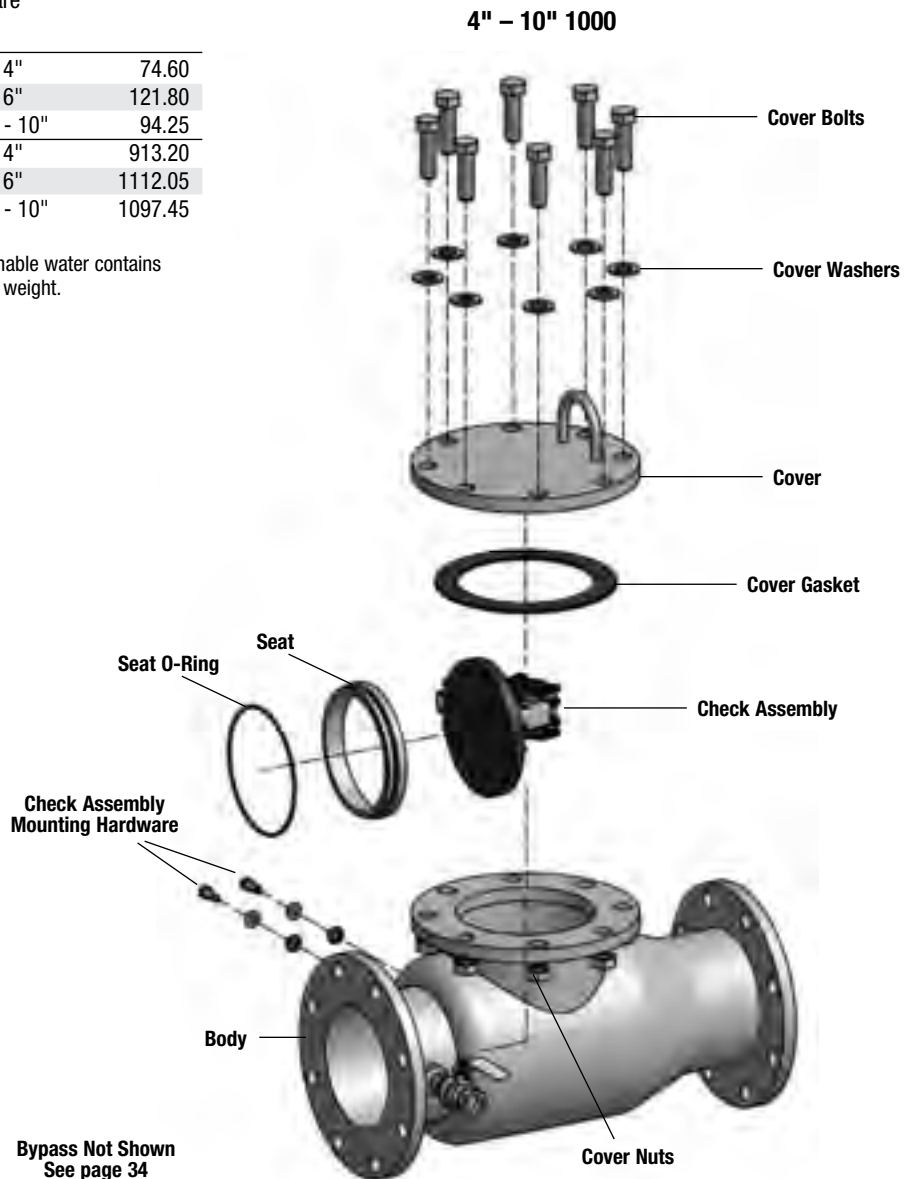
LEAD FREE	7010148	ARK 1000 CK1	4"	410.85
	7010149	ARK 1000 CK1	6"	487.95
	7010150	ARK 1000 CK1	8" - 10"	704.00

Kit includes: Check Assembly and Mounting Hardware

Tools

7013911	RETAINER CLIP	4"	74.60
7013912	RETAINER CLIP	6"	121.80
7013913	RETAINER CLIP	8" - 10"	94.25
7013941	SEAT INSTALL-REMOVAL TOOL	4"	913.20
7013946	SEAT INSTALL-REMOVAL TOOL	6"	1112.05
7013950	SEAT INSTALL-REMOVAL TOOL	8" - 10"	1097.45

*The wetted surface of this product contacted by consumable water contains less than one quarter of one percent (0.25%) of lead by weight.



Series 1000SS DCV Single Check Valve 4" – 10"

ORDERING CODE	KIT NO.	SIZE	LIST PRICE
---------------	---------	------	------------

Check Kits

7010094	ARK 1000SS CK	4"	\$603.90
7010095	ARK 1000SS CK	6"	757.95
7010096	ARK 1000SS CK	8" - 10"	871.60

Kit includes: Check Assembly, Check O-Ring (4" - 6") or Mounting Hardware (8" - 10")

Cover Kits

7010090	ARK SS C	2½" - 4"	300.20
7010091	ARK SS C	6"	447.30
7010216	ARK SS DCV C	8" - 10"	1442.70

Kit includes: Cover and Groove Coupler

Seat Kits

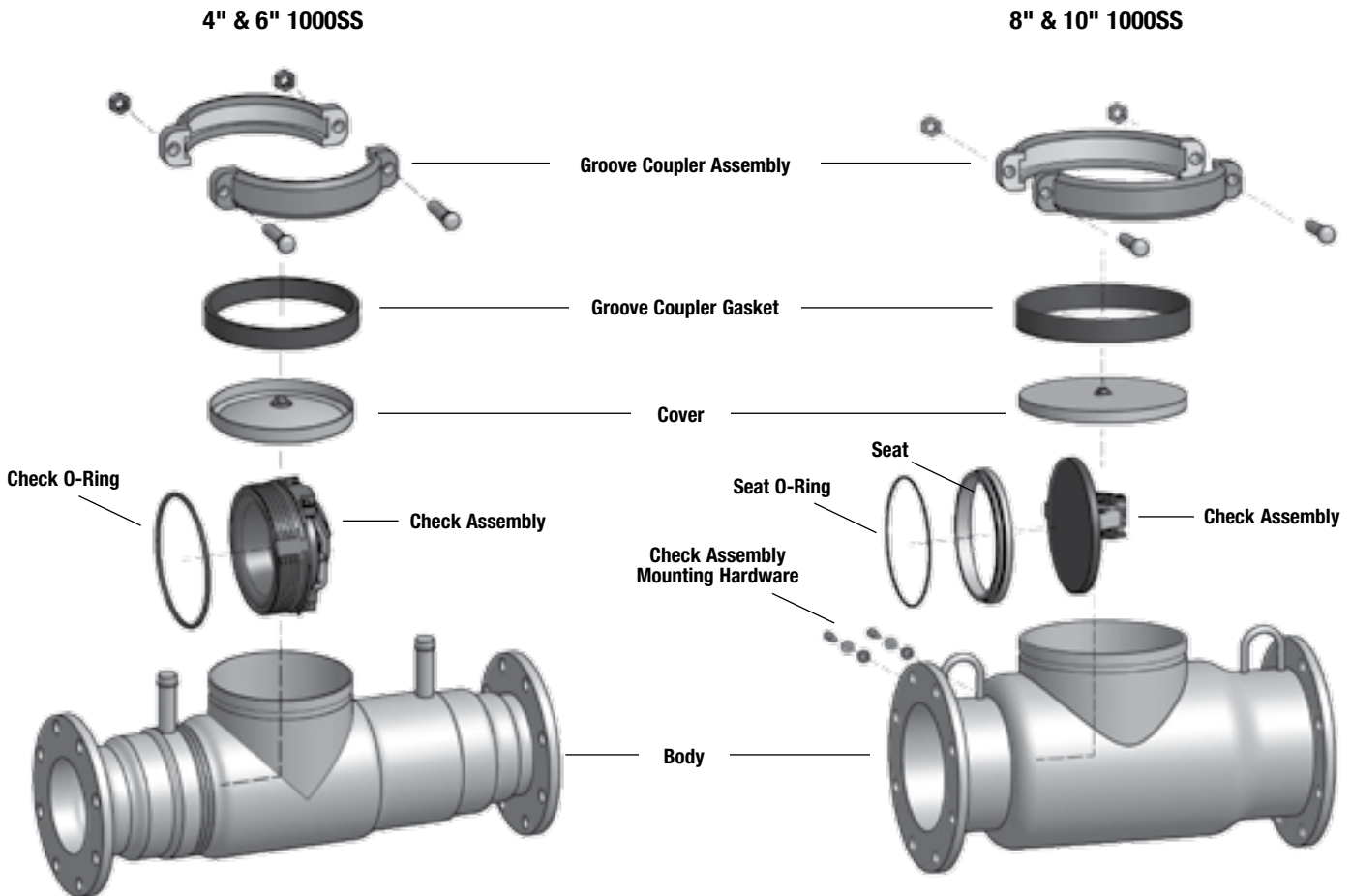
7010147	ARK EPOXY S	8" - 10"	340.40
---------	-------------	----------	--------

Kit includes: Seat Ring, Seat O-Ring and Cover Gasket

Tools

7013913	RETAINER CLIP	8" - 10"	94.25
7013950	SEAT INSTALL-REMOVAL TOOL	8" - 10"	1097.45

*The wetted surface of this product contacted by consumable water contains less than one quarter of one percent (0.25%) of lead by weight.



Bypass Not Shown
See page 34

Series 200B Double Check Valve Assembly 1/2" – 2"

ORDERING CODE	KIT NO.	SIZE	LIST PRICE
---------------	---------	------	------------

1st or 2nd Check Kits:

LEAD FREE	ORDERING CODE	KIT NO.	SIZE	LIST PRICE
	7018460	ARK 200B R10 CK4	1/2" - 3/4"	\$44.75
	7018461	ARK 200B CK4	1/2"	36.70
	7018462	ARK 200B CK4	3/4"	53.00
	7018463	ARK 200B CK4	1"	55.05
	7018464	ARK 200B CK4	1 1/4" - 1 1/2"	101.85
	7018465	ARK 200B CK4	2"	103.95

Kit includes: Seat, Seat O-Ring, Disc Holder Assembly, Spring, and Cover O-Ring

1st or 2nd Check Rubber Parts Kits:

LEAD FREE	ORDERING CODE	KIT NO.	SIZE	LIST PRICE
	7018466	ARK 200B R10 RT	1/2" - 3/4"	18.55
	7018467	ARK 200B RT	1/2"	22.30
	7018468	ARK 200B RT	3/4"	23.05
	7018469	ARK 200B RT	1"	27.95
	7018470	ARK 200B RT	1 1/4" - 1 1/2"	29.65
	7018471	ARK 200B RT	2"	30.20

Kit includes: Disc Rubber, Seat O-Ring and Cover O-Ring

1st or 2nd Check Seat Kits:

LEAD FREE	ORDERING CODE	KIT NO.	SIZE	LIST PRICE
	7018472	ARK 200B R10 S	1/2" - 3/4"	31.45
	7018473	ARK 200B S	1/2"	28.25
	7018474	ARK 200B S	3/4"	37.25
	7018475	ARK 200B S	1"	38.45
	7018476	ARK 200B S	1 1/4" - 1 1/2"	58.55
	7018477	ARK 200B S	2"	64.95

Kit includes: Seat, Seat O-Ring and Cover O-Ring

1st or 2nd Check Cover Kits:

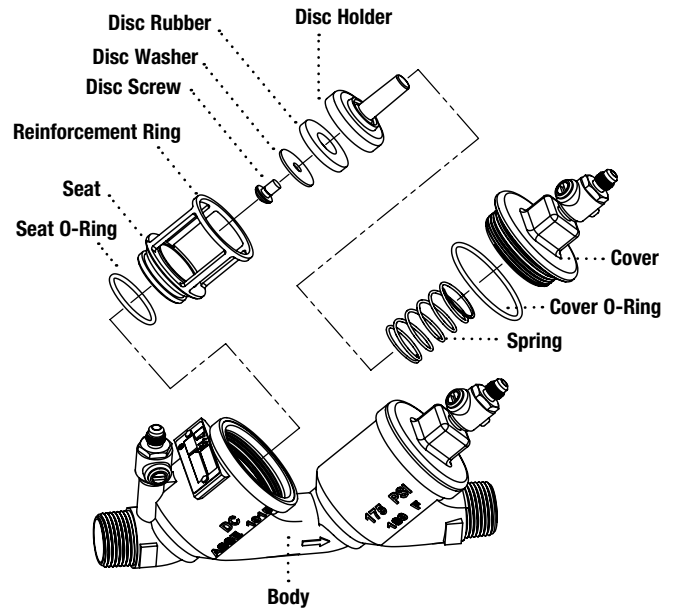
7018478	ARK 200B R10 C	1/2" - 3/4"	71.35
7018479	ARK 200B C	1/2"	54.55
7018480	ARK 200B C	3/4"	88.05
7018481	ARK 200B C	1"	91.65
7018482	ARK 200B C	1 1/4" - 1 1/2"	120.90
7018483	ARK 200B C	2"	142.15

Kit includes: Cover and Cover O-Ring

1st or 2nd Check Cover Kits:

LEAD FREE	ORDERING CODE	KIT NO.	SIZE	LIST PRICE
	0425433	LFARK 200B C	1/2"	68.85
	0425434	LFARK 200B C	3/4"	111.15
	0425435	LFARK 200B C	1"	115.70
	0425436	LFARK 200B C	1 1/4" - 1 1/2"	152.65
	0425437	LFARK 200B C	2"	179.40

Kit includes: Cover and Cover O-Ring



*The wetted surface of this product contacted by consumable water contains less than one quarter of one percent (0.25%) of lead by weight.

Series 2000B Double Check Valve Assembly 1/2" – 2"

ORDERING CODE	KIT NO.	SIZE	LIST PRICE
---------------	---------	------	------------

1st Check

LEAD FREE	7016330	ARK 2000B CK4	1/2"	\$36.70
	7016331	ARK 2000BM2 CK1	3/4"	19.55
	7016332	ARK 2000BM3 CK1	3/4"	24.50
	7016333	ARK 2000BM2 CK4	1"	53.00
	7016334	ARK 2000BM2 CK1	1 1/4" - 1 1/2"	101.85
	7016335	ARK 2000BM2 CKI	2"	103.95

Kit includes: Seat, Seat O-Ring, Disc Assembly, Spring, Check Cage and Cover O-Ring

2nd Check

LEAD FREE	7016330	ARK 2000B CK4	1/2"	36.70
	7016337	ARK 2000BM2 CK2	3/4"	17.80
	7016338	ARK 2000BM3 CK2	3/4"	24.50
	7016333	ARK 2000BM1 CK4	1"	53.00
	7016340	ARK 2000BM2 CK2	1 1/4" - 1 1/2"	101.85
	7016341	ARK 2000BM1 CK2	2"	103.95

Kit includes: Seat, Seat O-Ring, Disc Assembly, Spring, Check Cage and Cover O-Ring

Cover Kit

LEAD FREE	7016342	ARK 2000B C	1/2"	54.55
	7016343	ARK 2000BM2 C	3/4"	29.60
LEAD FREE	7016344	ARK 2000BM3 C	3/4"	57.85
	7016345	ARK 2000BM1 C	1"	88.05
	0425401	LFARK 2000BM3 C	3/4"	73.00
	0425402	LFARK 2000BM1 C	1"	111.15
	7016346	ARK 2000BM2 C	1 1/4" - 1 1/2"	120.90
7016347	ARK 2000BM1 C	2"	136.80	

Kit includes: Cover and Cover O-Ring

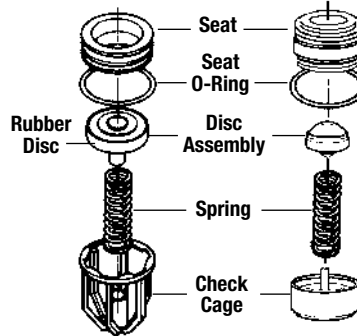
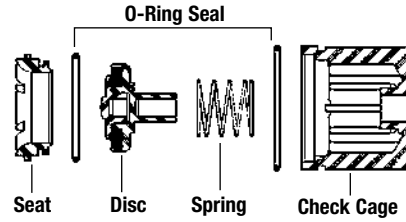
Complete Rubber parts

LEAD FREE	7016348	ARK 2000B RT	1/2"	22.30
	7016349	ARK 2000BM2 RT	3/4"	9.25
	7016350	ARK 2000BM3 RT	3/4"	21.25
	7016351	ARK 2000BM1 RT	1"	22.30
	7016352	ARK 2000BM2 RT	1 1/4" - 1 1/2"	31.10
	7016353	ARK 2000BM1 RT	2"	31.10

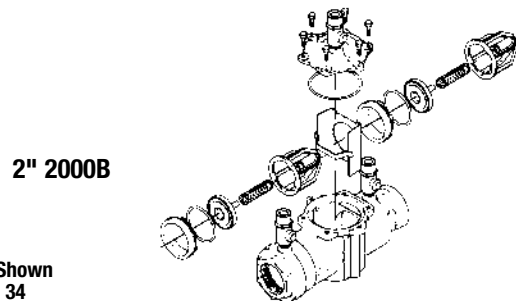
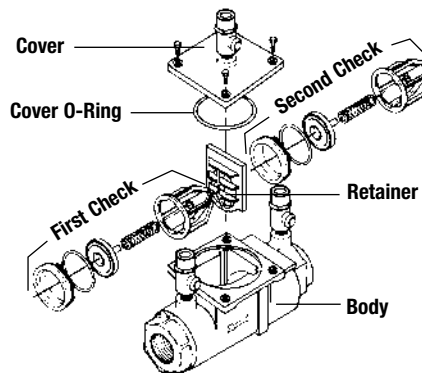
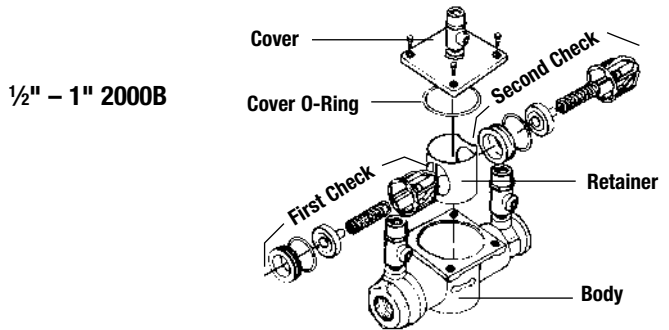
Kit includes: Cover O-Ring, Two Disc Assemblies and Two Seat O-Rings

*The wetted surface of this product contacted by consumable water contains less than one quarter of one percent (0.25%) of lead by weight.

Check Assembly 3/4" 2000M3



Note: Rubber seat disc can be replaced. However, disc holder and disc retainer are permanently bonded to prevent failure.



Bypass Not Shown
See page 34

Series 3000B Double Check Detector Assembly 2"

ORDERING CODE	KIT NO.	SIZE	LIST PRICE
---------------	---------	------	------------

1st Check

LEAD FREE	7016200	ARK 3000B CK1	2"	\$109.50
-----------	---------	---------------	----	----------

Kit includes: Seat, Seat O-Ring, Disc Assembly, Spring, Spring Retainer, Check Cage and Cover O-Ring

2nd Check

LEAD FREE	7016201	ARK 3000B CK2	2"	98.90
-----------	---------	---------------	----	-------

Kit includes: Seat, Seat O-Ring, Disc Assembly, Spring, Spring Retainer, Check Cage and Cover O-Ring

First and Second Check Rubber Parts

LEAD FREE	7016202	ARK 3000B RT	2"	29.45
-----------	---------	--------------	----	-------

Kit includes: Two Seat Discs, Two seat O-Rings, and Cover O-Ring

Cover Kit

LEAD FREE	7016203	ARK 3000B C	2"	130.20
-----------	---------	-------------	----	--------

Kit includes: Cover and Cover O-Ring

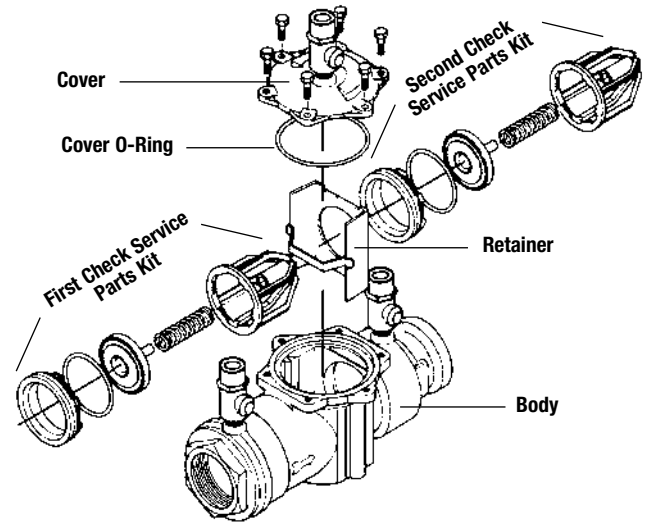
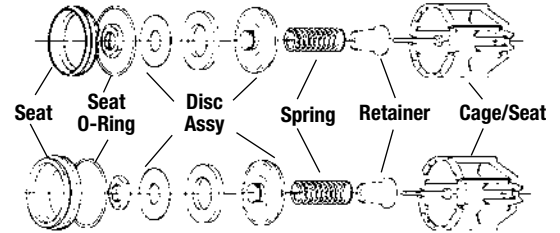
Seat Kits

LEAD FREE	7016204	ARK 3000B S1	2"	82.75
LEAD FREE	7016205	ARK 3000B S2	2"	82.75

Kit includes: Seat, Seat O-Ring and Cover O-Ring

*The wetted surface of this product contacted by consumable water contains less than one quarter of one percent (0.25%) of lead by weight.

Check Assemblies



Bypass Not Shown
See page 34

Series C-200 Double Check Valve Assembly 2½" – 10"

Series C-300 Double Check Detector Assembly 2½" – 10"

ORDERING CODE	KIT NO.	SIZE	CHECK DISK MATERIAL	LIST PRICE
---------------	---------	------	---------------------	------------

C200, C300 1st Check

LEAD FREE	7010000	ARK C200/C300 CK1	2½" - 4"	Red Silicone	\$275.95
	7010001	ARK C200/C300 CK1	6"	Red Silicone	384.95
	7010002	ARK C200/C300 CK1	8"	Red Silicone	635.80
	7010003	ARK C200/C300 CK1	10"	Red Silicone	890.45

Kit includes: 1st Check Assembly, Check O-Ring and Lube

2nd Check

LEAD FREE	7010004	ARK C200/C300 CK2	2½" - 4"	Red Silicone	239.70
	7010005	ARK C200/C300 CK2	6"	Red Silicone	373.60
	7010006	ARK C200/C300 CK2	8"	Red Silicone	635.80
	7010007	ARK C200/C300 CK2	10"	Red Silicone	890.45

Kit includes: 2nd Check Assembly, Check O-Ring and Lube

Rubber Kit

LEAD FREE	7010008	ARK C200/C300 RC4	2½" - 4"	Red Silicone	35.85
	7010009	ARK C200/C300 RC4	6"	Red Silicone	45.75
	7010010	ARK C200/C300 RC4	8"	Red Silicone	64.10
	7010011	ARK C200/C300 RC4	10"	Red Silicone	143.25

Kit includes: Shutoff Disk (1), Check O-Ring (1), E-Clip, Sleeve O-Ring(s) and Lube

Sleeve Kit

LEAD FREE	7010012	ARK C/M C	2½" - 4"		231.80
	7010013	ARK C/M C	6"		376.70
	7010014	ARK C/M C	8"		714.05
	7010015	ARK C/M C	10"		893.20

Kit includes: Closure Sleeve, Sleeve O-Ring (2) and Lube

Test Cock

	7018152	ARK C/M TC3	½"	(2½" - 4")	34.00
	7018153	ARK C/M TC3	¾"	(6" - 10")	50.25

C200a, C300a 1st Check

LEAD FREE	7010016	ARK C200a/C300a CK1	2½" - 4"	EPDM	275.95
	7010017	ARK C200a/C300a CK1	6"	EPDM	384.50

Kit includes: 1st Check Assembly, Check O-Ring and Lube

2nd Check

LEAD FREE	7010018	ARK C200a/C300a CK2	2½" - 4"	EPDM	239.70
	7010019	ARK C200a/C300a CK2	6"	EPDM	373.60

Kit includes: 2nd Check Assembly, Check O-Ring and Lube

Rubber Kit

LEAD FREE	7010020	ARK C200a/C300a RC4	2½" - 4"	EPDM	35.85
	7010021	ARK C200a/C300a RC4	6"	EPDM	45.75

Kit includes: Shutoff Disk (1), Check O-Ring (1), E-Clip, Sleeve O-Ring(s) and Lube

Sleeve Kit

LEAD FREE	7010012	ARK C/M C	2½" - 4"		231.80
	7010013	ARK C/M C	6"		376.70

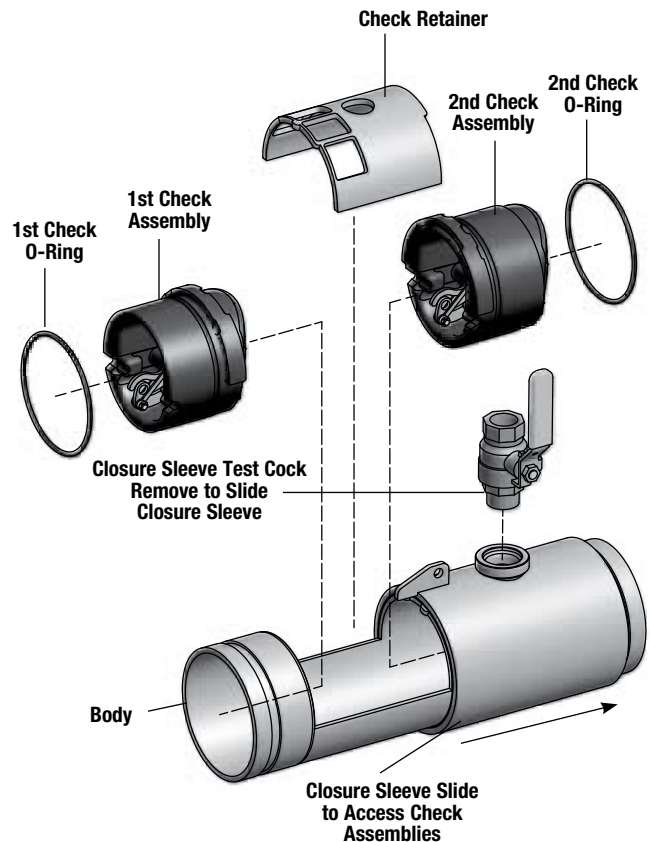
Kit includes: Closure Sleeve, Sleeve O-Ring (2) and Lube

Test Cock

	7018152	ARK C/M TC3	½"	(2½" - 4")	34.00
	7018153	ARK C/M TC3	¾"	(6" - 10")	50.25

*The wetted surface of this product contacted by consumable water contains less than one quarter of one percent (0.25%) of lead by weight.

2½" – 10" C200/C300



Series M-200 Double Check Valve Assembly 2½" – 10"

Series M-300 Double Check Detector Assembly 2½" – 10"

ORDERING CODE	KIT NO.	SIZE	CHECK DISK	LIST PRICE MATERIAL
---------------	---------	------	------------	---------------------

M200, M300 1st Check

LEAD FREE	7010048	ARK M200/M300 CK1	2½" - 3"	Red Silicone	\$275.95
	7010049	ARK M200/M300 CK1	4"	Red Silicone	384.50
	7010050	ARK M200/M300 CK1	6"	Red Silicone	635.80
	7010051	ARK M200/M300 CK1	8" - 10"	Red Silicone	890.45

Kit includes: 1st Check Assembly, Check O-Ring and Lube

2nd Check

LEAD FREE	7010052	ARK M200/M300 CK2	2½" - 3"	Red Silicone	239.70
	7010053	ARK M200/M300 CK2	4"	Red Silicone	373.60
	7010054	ARK M200/M300 CK2	6"	Red Silicone	635.10
	7010055	ARK M200/M300 CK2	8" - 10"	Red Silicone	890.45

Kit includes: 2nd Check Assembly, Check O-Ring and Lube

Rubber Kit

LEAD FREE	7010056	ARK M200/M300 RC4	2½" - 3"	Red Silicone	35.85
	7010057	ARK M200/M300 RC4	4"	Red Silicone	45.75
	7010058	ARK M200/M300 RC4	6"	Red Silicone	64.10
	7010059	ARK M200/M300 RC4	8" - 10"	Red Silicone	143.25

Kit includes: Shutoff Disk (1), Check O-Ring (1), E-Clip, Sleeve O-Ring(s) and Lube

Sleeve Kit

LEAD FREE	7010012	ARK C/M C	2½" - 3"		231.80
	7010013	ARK C/M C	4"		376.70
	7010014	ARK C/M C	6"		714.05
	7010015	ARK C/M C	8" - 10"		893.20

Kit includes: Closure Sleeve, Sleeve O-Ring (2) and Lube

Test Cock

	7018152	ARK C/M TC3	½"	(2½" - 3")	34.00
	7018153	ARK C/M TC3	¾"	(4" - 10")	50.25

M200a, M300a 1st Check

LEAD FREE	7010060	ARK M200a/M300a CK1	2½" - 3"	EPDM	275.95
	7010061	ARK M200a/M300a CK1	4"	EPDM	384.50

Kit includes: 1st Check Assembly, Check O-Ring and Lube

2nd Check

LEAD FREE	7010062	ARK M200a/M300a CK2	2½" - 3"	EPDM	239.70
	7010063	ARK M200a/M300a CK2	4"	EPDM	373.60

Kit includes: 2nd Check Assembly, Check O-Ring and Lube

Rubber Kit

LEAD FREE	7010064	ARK M200a/M300a RC4	2½" - 3"	EPDM	35.85
	7010065	ARK M200a/M300a RC4	4"	EPDM	45.75

Kit includes: Shutoff Disk (1), Check O-Ring (1), E-Clip, Sleeve O-Ring(s) and Lube

Sleeve Kit

LEAD FREE	7010012	ARK C/M C	2½" - 3"		231.80
	7010013	ARK C/M C	4"		376.70
	7010014	ARK C/M C	6"		714.05
	7010015	ARK C/M C	8" - 10"		893.20

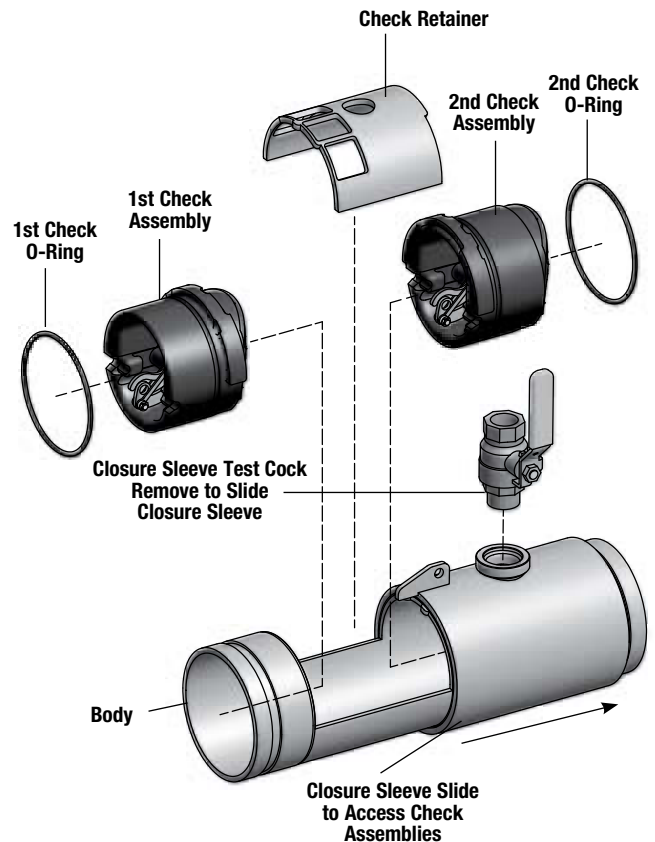
Kit includes: Closure Sleeve, Sleeve O-Ring (2) and Lube

Test Cock

	7018152	ARK C/M TC3	½"	(2½" - 3")	34.00
	7018153	ARK C/M TC3	¾"	(4" - 10")	50.25

*The wetted surface of this product contacted by consumable water contains less than one quarter of one percent (0.25%) of lead by weight.

2½" – 10" M200/M300



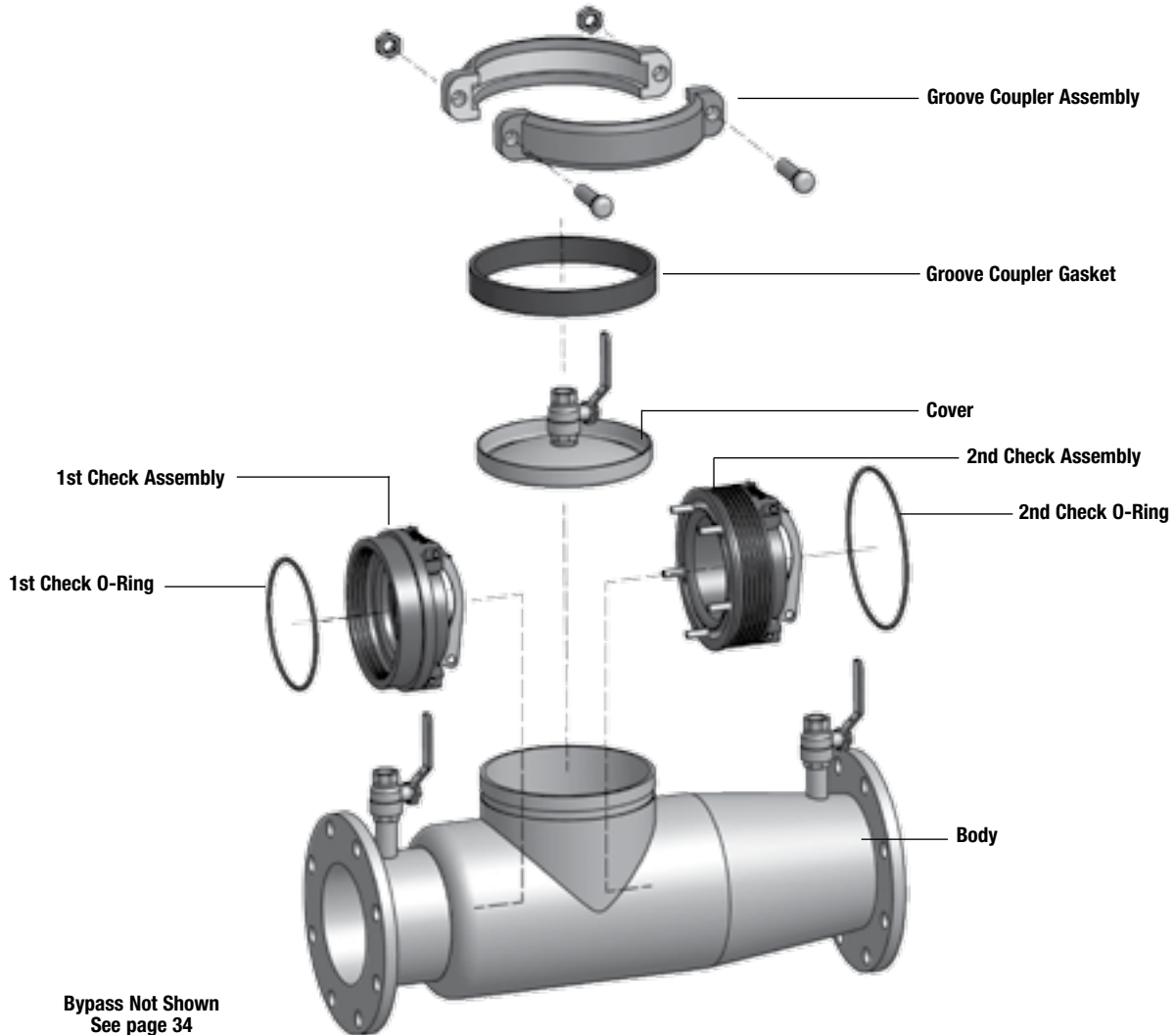
Series 2000SS/2000SE Double Check Valve Assembly 2½" – 6", 6" & 8" Series 3000SS/3000SE Double Check Detector Assembly 2½" – 6", 6" & 8"

ORDERING CODE	KIT NO.	SIZE	LIST PRICE
2000SE, 3000SE 1st Check			
LEAD FREE 7010103	ARK 2000SE/3000SE CK1	6"	\$262.60
7010104	ARK 2000SE/3000SE CK1	8"	279.90
Kit includes: 1st Check Assembly, Check O-Ring and Lube			
2nd Check			
LEAD FREE 7010105	ARK 2000SE/3000SE CK2	6"	262.60
7010106	ARK 2000SE/3000SE CK2	8"	279.90
Kit includes: 2nd Check Assembly, Check O-Ring and Lube			
Cover Kit			
LEAD FREE 7010092	ARK SE C	6"	447.30
7010093	ARK SE/SS C	8"	573.45
Kit includes: Cover, Groove Coupler and Gasket			

ORDERING CODE	KIT NO.	SIZE	LIST PRICE
2000SS, 3000SS 1st Check			
LEAD FREE 7010097	ARK 2000SS/3000SS CK1	2½" - 4"	\$262.60
7010098	ARK 2000SS/3000SS CK1	6"	279.90
Kit includes: 1st Check Assembly, Check O-Ring and Lube			
2nd Check			
LEAD FREE 7010100	ARK 2000SS/3000SS CK2	2½" - 4"	262.60
7010101	ARK 2000SS/3000SS CK2	6"	279.90
Kit includes: 2nd Check Assembly, Check O-Ring and Lube			
Cover Kit			
LEAD FREE 7010090	ARK SS C	2½" - 4"	300.20
7010091	ARK SS C	6"	447.30
Kit includes: Cover, Groove Coupler and Gasket			

*The wetted surface of this product contacted by consumable water contains less than one quarter of one percent (0.25%) of lead by weight.

2½" THROUGH 6" 2000SS/3000SS 6" & 8" 2000SE/3000SE

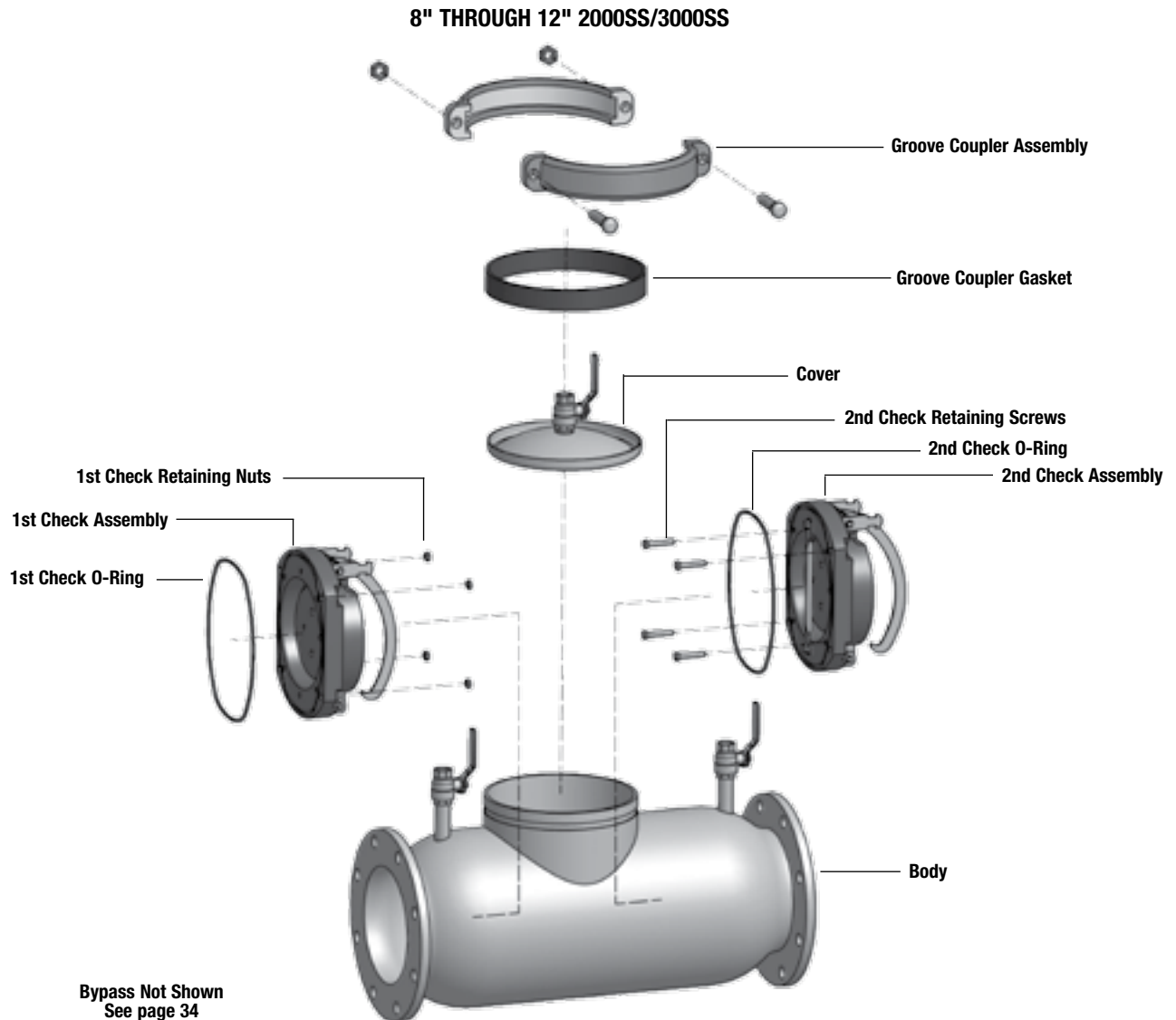


Bypass Not Shown
See page 34

Series 2000SS Double Check Valve Assembly 8" – 12" Series 3000SS Double Check Detector Assembly 8" – 12"

ORDERING CODE	KIT NO.	SIZE	LIST PRICE
2000SS, 3000SS 1st Check			
LEAD FREE 7010099	ARK 2000SS/3000SS CK1	8" - 12"	\$807.35
Kit includes: 1st Check Assembly, Check O-Ring, Retaining Nuts (4), and Lube			
2nd Check			
LEAD FREE 7010102	ARK 2000SS/3000SS CK2	8" - 12"	807.35
Kit includes: 2nd Check Assembly, Check O-Ring, Retaining Screws (4) and Lube			
Cover Kit			
LEAD FREE 7010093	ARK SE/SS C	8" - 12"	573.45
Kit includes: Cover, Groove Coupler and Gasket			

*The wetted surface of this product contacted by consumable water contains less than one quarter of one percent (0.25%) of lead by weight.



Series 2001SS Double Check Valve Assembly 2½" – 8" Series 3001SS Double Check Detector Assembly 2½" – 8"

ORDERING CODE	KIT NO.	SIZE	LIST PRICE
---------------	---------	------	------------

2001SS, 3001SS 1st Check

LEAD FREE	7010118	ARK 2001SS/3001SS CK1	2½" - 4"	\$435.45
LEAD FREE	7010119	ARK 2001SS/3001SS CK1	6" - 8"	538.35

Kit includes: 1st Check Assembly, Check O-Ring and Lube

2nd Check

LEAD FREE	7010120	ARK 2001SS/3001SS CK2	2½" - 4"	507.90
LEAD FREE	7010121	ARK 2001SS/3001SS CK2	6" - 8"	684.15

Kit includes: 2nd Check Assembly, Check O-Ring and Lube

1st Check Rubber Part Kit

LEAD FREE	7010122	ARK 2001SS/3001SS RC1	2½" - 4"	18.10
LEAD FREE	7010123	ARK 2001SS/3001SS RC1	6" - 8"	25.75

Kit includes: Check Disc and Check O-Ring, C-Clips(2) and Lube

2nd Check Rubber Part Kit

LEAD FREE	7010124	ARK 2001SS/3001SS RC2	2½" - 4"	27.95
LEAD FREE	7010125	ARK 2001SS/3001SS RC2	6" - 8"	40.95

Kit includes: Check Disc and Check O-Ring, C-Clips(2) and Lube

Rubber Total Parts Kit

LEAD FREE	7010126	ARK 2001SS/3001SS RT	2½" - 4"	41.00
LEAD FREE	7010127	ARK 2001SS/3001SS RT	6" - 8"	46.20

Kit includes: Check Disc (2) and Check O-Ring (2)

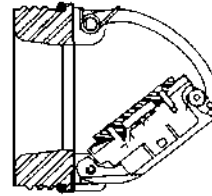
Cover Kit

LEAD FREE	7010090	ARK SS C	2½" - 4"	300.20
LEAD FREE	7010091	ARK SS C	6" - 8"	447.30

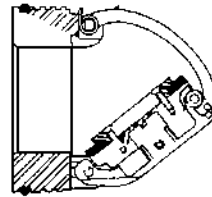
Kit includes: Cover, Groove Coupler, and Gasket

*The wetted surface of this product contacted by consumable water contains less than one quarter of one percent (0.25%) of lead by weight.

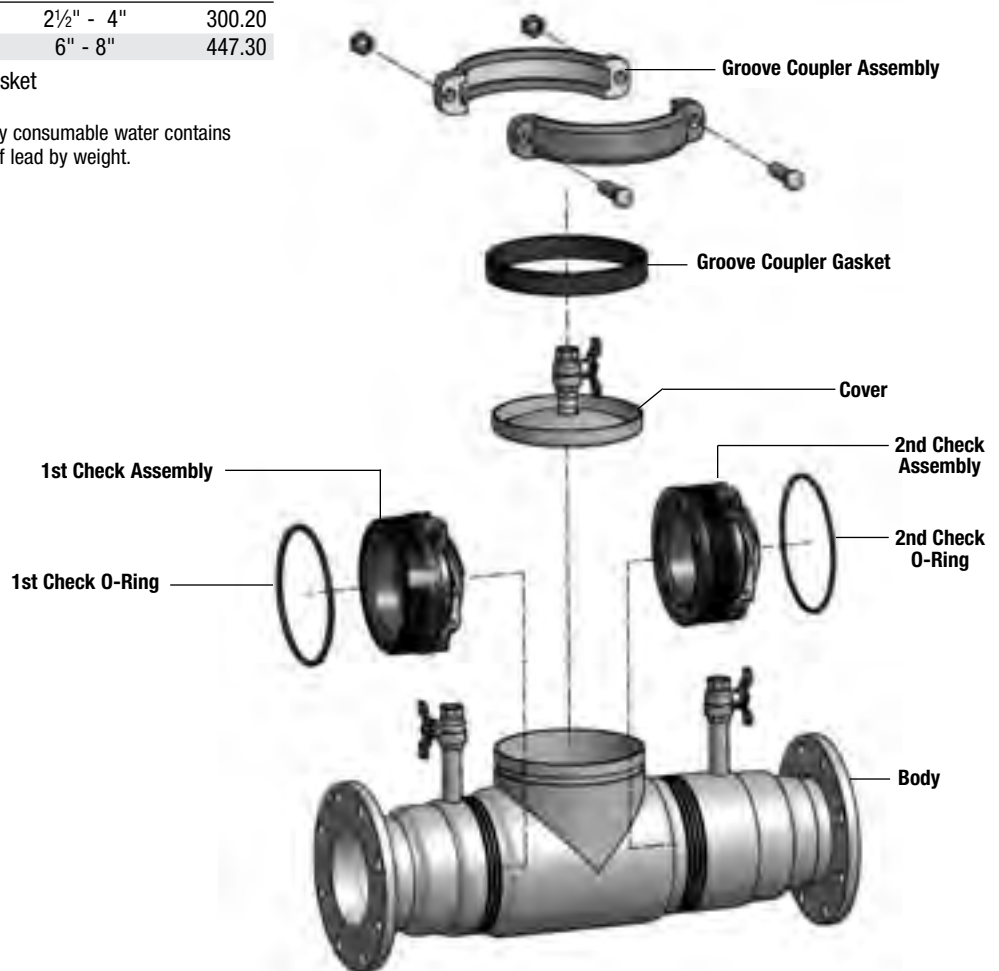
No. 1 Check Assembly



No. 2 Check Assembly



3" – 8" 2001SS/3001SS



**Bypass Not Shown
See page 34**

Series 2000CIV Double Check Valve Assembly 2½" – 3" Series 3000CIV Double Check Detector Assembly 2½" – 3"

ORDERING CODE	KIT NO.	SIZE	LIST PRICE
---------------	---------	------	------------

First or Second Check Kit

LEAD FREE	7016300	ARK 2000CIV CK4	2½", 3"	\$352.40
	0425406	LFARK 2000CIV CK4	2½", 3"	444.80

Kit includes: Seat, Seat O-Ring, Disc Assembly, Spring, Spring Retainer, Check Cage and Cover O-Ring

Rubber Parts (for one check)

LEAD FREE	7016305	ARK 2000CIV RC4	2½", 3"	64.80
-----------	---------	-----------------	---------	-------

Kit includes; Seat Discs, Seat O-Ring and Cover O-Ring

Seat Kit

LEAD FREE	7016315	ARK 2000CIV S	2½", 3"	141.05
	0425409	LFARK 2000CIV S	2½", 3"	178.05

Kit includes: Seat, Seat O-Ring

Complete Rubber Parts

LEAD FREE	7016310	ARK 2000CIV RT	2½", 3"	129.80
-----------	---------	----------------	---------	--------

Kit includes; Two Seat Discs, Two Seat O-Rings, Two Cover O-Rings

Cover Kit

LEAD FREE	7016320	ARK 2000CIV C	2½", 3"	
-----------	---------	---------------	---------	--

Kit includes: Cover, Cover O-Ring

First Check Kit

	7016600	ARK 3000CIV CK1	2½", 3"	451.10
--	---------	-----------------	---------	--------

Kit includes: Seat, Seat O-Ring, Disc Assembly, Spring, Spring Retainer, Check Cage and Cover O-Ring

Second Check Kit

	7016605	ARK 3000CIV CK2	2½", 3"	352.40
--	---------	-----------------	---------	--------

Kit includes: Seat, Seat O-Ring, Disc Assembly, Spring, Spring Retainer, Check Cage and Cover O-Ring

Seat Kit

	7016615	ARK 3000CIV S	2½", 3"	141.05
--	---------	---------------	---------	--------

Kit includes: Seat, Seat O-Ring

Complete Rubber Parts

LEAD FREE	7016610	ARK 3000CIV RC4	2½", 3"	64.80
-----------	---------	-----------------	---------	-------

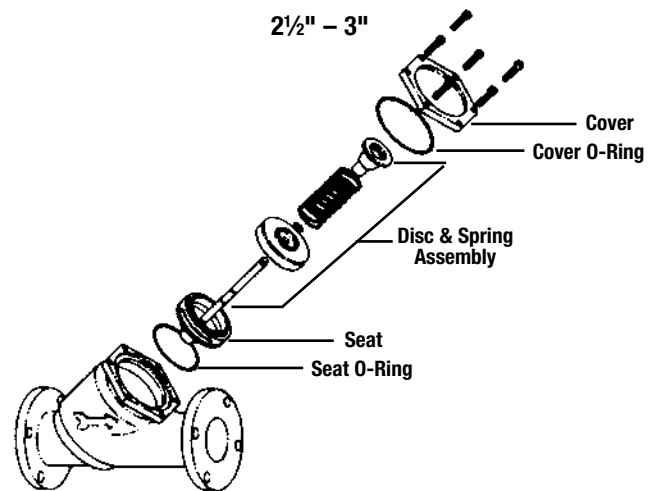
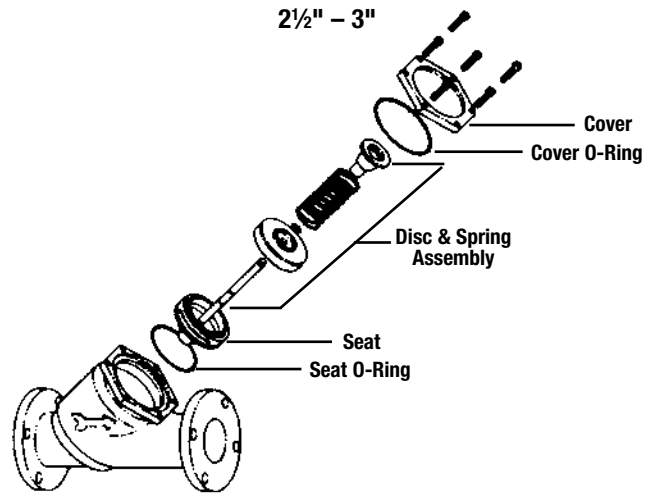
Kit includes; Two Seat Discs, Two Seat O-Rings, Two Cover O-Rings

Cover Kit

LEAD FREE	7016620	ARK 3000CIV C	2½", 3"	229.40
-----------	---------	---------------	---------	--------

Kit includes: Cover, Cover O-Ring

*The wetted surface of this product contacted by consumable water contains less than one quarter of one percent (0.25%) of lead by weight.



Series 2000CIV Double Check Valve Assembly 4" – 10" Series 3000CIV Double Check Detector Assembly 4" – 10"

ORDERING CODE	KIT NO.	SIZE	LIST PRICE
---------------	---------	------	------------

First or Second Check Kits

7016301	ARK 2000CIV CK4	4"	\$575.05
7016302	ARK 2000CIV CK4	6"	993.40
7016303	ARK 2000CIV CK4	8"	1818.30
7016304	ARK 2000CIV CK4	10"	2448.20
0425412	LFARK 2000CIV CK4	4"	725.80
0425413	LFARK 2000CIV CK4	6"	1253.80
0425414	LFARK 2000CIV CK4	8"	2294.95
0425415	LFARK 2000CIV CK4	10"	3089.95

Kit includes: Disc & Spring Assembly and Cover O-Ring

Rubber Parts (for one check)

7016306	ARK 2000CIV RC4	4"	86.65
7016307	ARK 2000CIV RC4	6"	98.80
7016308	ARK 2000CIV RC4	8"	119.50
7016309	ARK 2000CIV RC4	10"	163.75

Kit includes: Disc and Cover O-Ring

Complete Rubber Parts

7016311	ARK 2000CIV RT	4"	173.20
7016312	ARK 2000CIV RT	6"	197.50
7016313	ARK 2000CIV RT	8"	239.25
7016314	ARK 2000CIV RT	10"	327.35

Kit includes: Two Discs and Two Cover O-Rings

Seat Kits

7016316	ARK 2000CIV S	4"	206.90
7016317	ARK 2000CIV S	6"	356.30
7016318	ARK 2000CIV S	8"	851.75
7016319	ARK 2000CIV S	10"	995.05
0425424	LFARK 2000CIV S	4"	261.10
0425425	LFARK 2000CIV S	6"	449.65
0425426	LFARK 2000CIV S	8"	1075.05
0425427	LFARK 2000CIV S	10"	1255.90

Kit includes: Seat, Seat O-Ring, Retainer Wire and Cover O-Ring

Cover Kits

7016321	ARK 2000CIV C	4"	252.30
7016322	ARK 2000CIV C	6"	352.35
7016323	ARK 2000CIV C	8"	578.45
7016324	ARK 2000CIV C	10"	1297.30

Kit includes: Cover and Cover O-Ring

First Check Kits

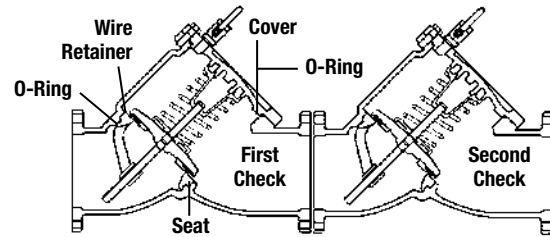
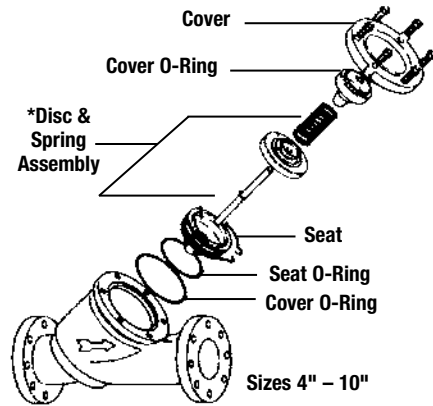
7016601	ARK 3000CIV CK1	4"	628.35
7016602	ARK 3000CIV CK1	6"	1135.20
7016603	ARK 3000CIV CK1	8"	2052.40
7016604	ARK 3000CIV CK1	10"	3046.95

Kit includes: Disc Assembly, Spring Assembly and Cover O-Ring

Second Check Kits

7016606	ARK 3000CIV CK2	4"	575.05
7016607	ARK 3000CIV CK2	6"	993.40
7016608	ARK 3000CIV CK2	8"	1818.30
7016609	ARK 3000CIV CK2	10"	2448.20

Kit includes: Disc Assembly, Spring Assembly and Cover O-Ring



Bypass Not Shown See page 34

ORDERING CODE	KIT NO.	SIZE	LIST PRICE
---------------	---------	------	------------

Rubber Parts (for one check)

7016611	ARK 3000CIV RC4	4"	\$ 86.65
7016612	ARK 3000CIV RC4	6"	98.80
7016613	ARK 3000CIV RC4	8"	119.50
7016614	ARK 3000CIV RC4	10"	163.75

Kit includes: Disc and Cover O-Ring

Seat Kits

7016616	ARK 3000CIV S	4"	206.90
7016617	ARK 3000CIV S	6"	356.30
7016618	ARK 3000CIV S	8"	851.75
7016619	ARK 3000CIV S	10"	995.05

Kit includes: Seat, Seat O-Ring, Retainer Wire and Cover O-Ring

Cover Kits

7016621	ARK 3000CIV C	4"	257.20
7016622	ARK 3000CIV C	6"	359.30
7016623	ARK 3000CIV C	8"	589.55
7016624	ARK 3000CIV C	10"	1322.45

Kit includes: Cover and Cover O-Ring

*The wetted surface of this product contacted by consumable water contains less than one quarter of one percent (0.25%) of lead by weight.

Series 2000DCA Double Check Valve Assembly 4" – 10" Series 3000DCDA Double Check Detector Assembly 4" – 10"

ORDERING CODE	KIT NO.	SIZE	LIST PRICE
2000DCA, 3000DCDA Check Kits			
7010154	ARK 2000DCA CK4	4"	\$417.95
7010155	ARK 2000DCA CK4	6"	437.75
7010156	ARK 2000DCA CK4	8"	622.45
7010157	ARK 2000DCA/3000DCDA CK4	10"	908.10
7010158	ARK 3000DCA CK4	4"	439.30
7010159	ARK 3000DCA CK4	6"	496.45
7010160	ARK 3000DCA CK4	8"	687.75

Kit includes: Check Assembly (1) and Check Mounting Hardware

ORDERING CODE	KIT NO.	SIZE	LIST PRICE
Cover Kits			
7010142	ARK EPOXY C	4"	1121.95
7010143	ARK EPOXY C	6"	468.85
7010144	ARK EPOXY C	8" - 10"	668.60

Kit includes: Cover, Cover Gasket and Vent Screw

*The wetted surface of this product contacted by consumable water contains less than one quarter of one percent (0.25%) of lead by weight.

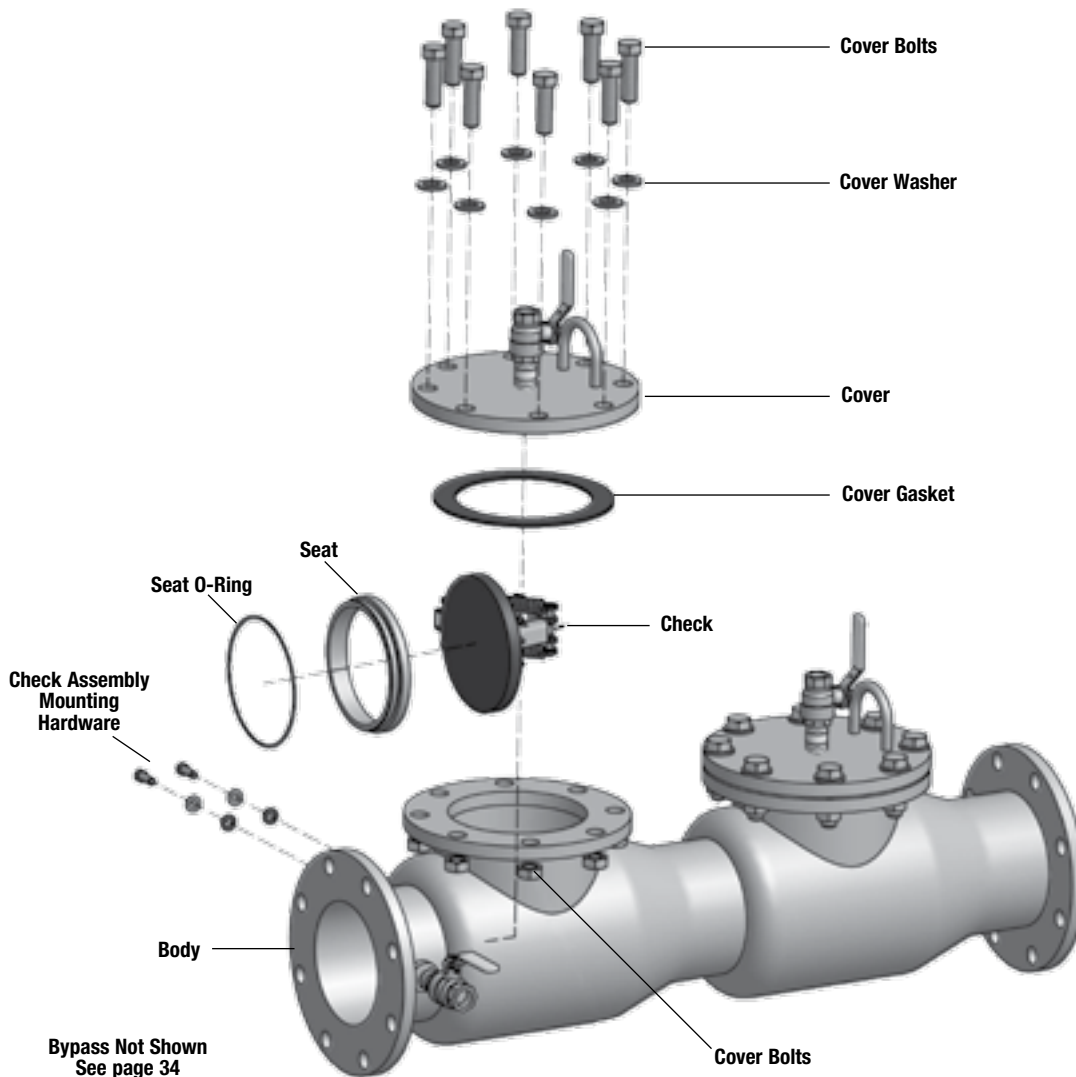
ORDERING CODE	KIT NO.	SIZE	LIST PRICE
Seat Kits			
7010145	ARK EPOXY S	4"	\$156.10
7010146	ARK EPOXY S	6"	233.90
7010147	ARK EPOXY S	8" - 10"	340.40

Kit includes: Seat, Seat O-Ring and Cover Gasket

ORDERING CODE	DESCRIPTION	SIZE	LIST PRICE
Tools			
7013911	RETAINER CLIP	4"	74.60
7013912	RETAINER CLIP	6"	121.80
7013913	RETAINER CLIP	8" - 10"	94.25
7013941	SEAT INSTALL-REMOVAL TOOL	4"	913.20
7013946	SEAT INSTALL-REMOVAL TOOL	6"	1112.05
7013950	SEAT INSTALL-REMOVAL TOOL	8" - 10"	1097.45

SECTION 2

4" – 10" 2000DCA/3000DCDA



Series 2000DC Double Check Valve Assembly 4" – 10" Series 3000DCDC Double Check Detector Assembly 4" – 10"

ORDERING CODE	KIT NO.	SIZE	LIST PRICE
2000DC, 3000DCDC Check Kit			
7010151	ARK 2000DC/3000DCDC CK4	4"	\$2563.00
7010152	ARK 2000DC/3000DCDC CK4	6"	2708.60
7010153	ARK 2000DC/3000DCDC CK4	8" - 10"	908.10

Kit includes: Check Assembly, Bonnet Gasket and Check Mounting Hardware

ORDERING CODE	KIT NO.	SIZE	LIST PRICE
Cover Kit			
7010142	ARK EPOXY C	4"	1121.95
7010143	ARK EPOXY C	6"	468.85
7010144	ARK EPOXY C	8" - 10"	668.60

Kit includes: Cover, Cover Gasket, Vent Screw

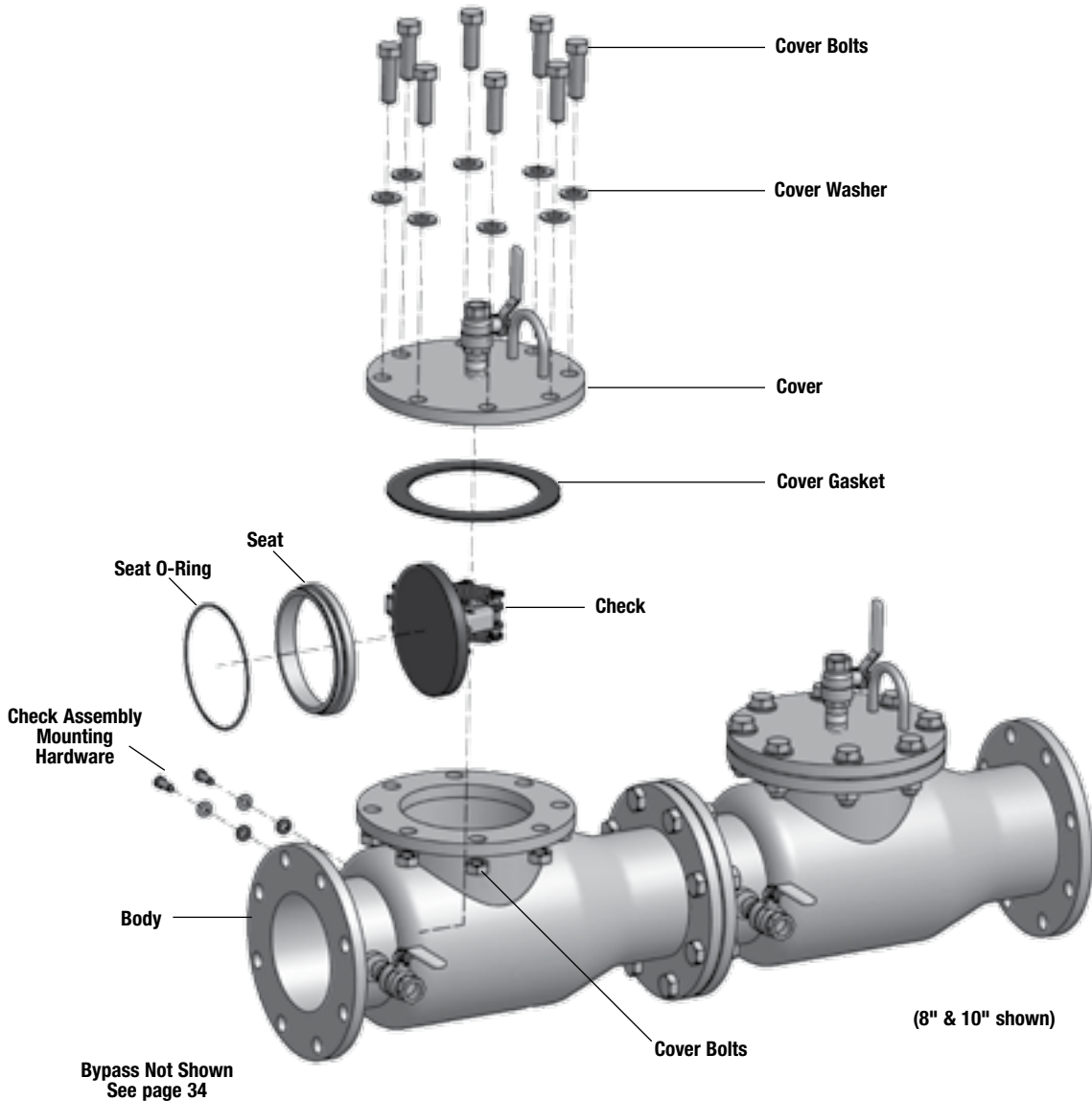
*The wetted surface of this product contacted by consumable water contains less than one quarter of one percent (0.25%) of lead by weight.

ORDERING CODE	KIT NO.	SIZE	LIST PRICE
Seat Kit			
7010145	ARK EPOXY S	4"	\$156.10
7010146	ARK EPOXY S	6"	233.90
7010147	ARK EPOXY S	8" - 10"	340.40

Kit includes: Seat, Seat O-Ring and Cover Gasket

ORDERING CODE	KIT NO.	SIZE	LIST PRICE
Tools			
7013911	RETAINER CLIP	4"	74.60
7013912	RETAINER CLIP	6"	121.80
7013913	RETAINER CLIP	8" - 10"	94.25
7013941	SEAT INSTALL-REMOVAL TOOL	4"	913.20
7013946	SEAT INSTALL-REMOVAL TOOL	6"	1112.05
7013950	SEAT INSTALL-REMOVAL TOOL	8" - 10"	1097.45

4" – 10" 2000DC/3000DCDC



Series 400B Reduced Pressure Zone Assembly 1/4" – 2"

ORDERING CODE	KIT NO.	SIZE	LIST PRICE
---------------	---------	------	------------

1st Check Kits:

LEAD FREE	7018485	ARK 400B CK1	1/4" - 1/2"	\$36.95
	7018486	ARK 400B CK1	3/4"	58.30
	7018487	ARK 400B CK1	1"	58.30
	7018488	ARK 400B CK1	1 1/4" - 1 1/2"	107.05
	7018489	ARK 400B CK1	2"	114.25

Kit includes: Check Assembly, Seat, Seat O-Ring, Spring and Cover O-Ring

2nd Check Kits:

LEAD FREE	7018490	ARK 400B CK2	1/4" - 1/2"	36.05
	7018491	ARK 400B CK2	3/4"	53.00
	7018492	ARK 400B CK2	1"	53.00
	7018493	ARK 400B CK2	1 1/4" - 1 1/2"	99.85
	7018494	ARK 400B CK2	2"	101.85

Kit includes: Check Assembly, Spring and Cover O-Ring

1st or 2nd Check Rubber Parts Kits:

LEAD FREE	7018495	ARK 400B RC4	1/4" - 1/2"	10.80
	7018496	ARK 400B RC4	3/4"	10.80
	7018497	ARK 400B RC4	1"	10.80
	7018498	ARK 400B RC4	1 1/4" - 1 1/2"	14.25
	7018499	ARK 400B RC4	2"	15.05

Kit includes: Disc, Seat O-Ring and Cover O-Ring

Seat Kits:

LEAD FREE	7018500	ARK 400B S	1/4" - 1/2"	28.25
	7018501	ARK 400B S	3/4"	37.25
	7018502	ARK 400B S	1"	38.45
	7018503	ARK 400B S	1 1/4" - 1 1/2"	58.55
	7018504	ARK 400B S	2"	64.95

Kit includes: Seat, Seat O-Ring and Cover O-Ring

Complete Valve Rubber Parts Kits:

LEAD FREE	7018505	ARK 400B RT	1/4" - 1/2"	58.65
	7018506	ARK 400B RT	3/4"	62.55
	7018507	ARK 400B RT	1"	65.10
	7018508	ARK 400B RT	1 1/4" - 1 1/2"	78.80
	7018509	ARK 400B RT	2"	82.65

Kit includes: 2 Check Discs, 2 Check Seat O-Rings, 2 Check Cover O-Rings, RV Disc, RV O-Ring, and RV Cover O-Ring

Cover Kits:

LEAD FREE	7018510	ARK 400B C	1/4" - 1/2"	52.60
	7018511	ARK 400B C	3/4"	88.05
	7018512	ARK 400B C	1"	88.05
	7018513	ARK 400B C	1 1/4" - 1 1/2"	118.75
	7018514	ARK 400B C	2"	134.05
LEAD FREE	0425499	LFARK 400B C	1/4" - 1/2"	66.40
	0425500	LFARK 400B C	3/4"	111.15
	0425501	LFARK 400B C	1"	111.15
	0425502	LFARK 400B C	1 1/4" - 1 1/2"	149.90
	0425503	LFARK 400B C	2"	169.20

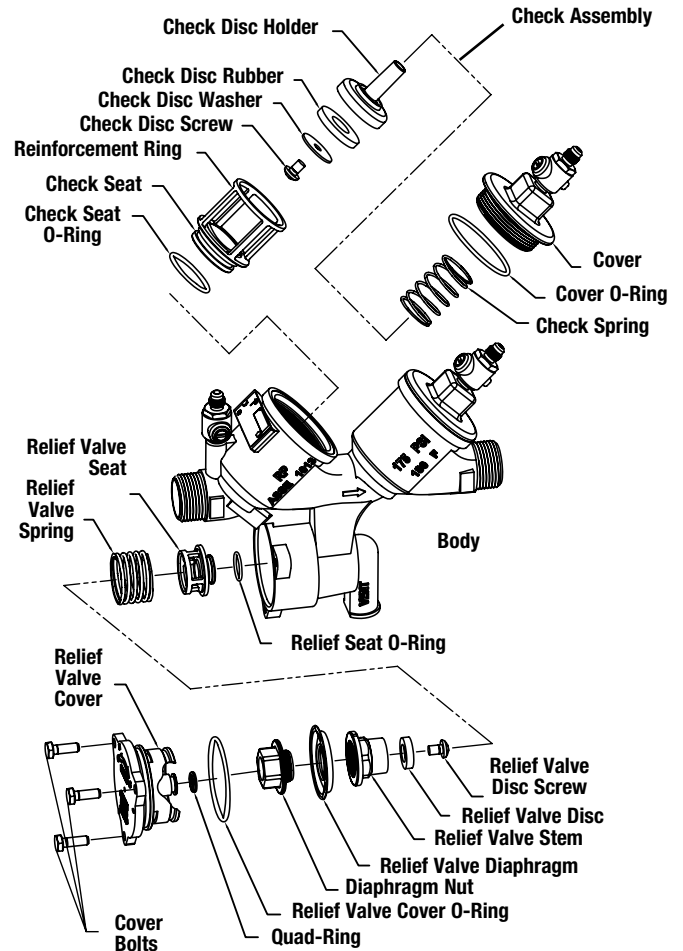
Kit includes: Cover and Cover O-Ring

Total Relief Valve Kits:

LEAD FREE	7018515	ARK 400B VT	1/2"	86.50
	7018516	ARK 400B VT	3/4" - 1"	153.85
	7018517	ARK 400B VT	1 1/4" - 2"	201.25

Kit includes: Relief Valve Assembly, RV Spring and RV Cover O-Ring

*The wetted surface of this product contacted by consumable water contains less than one quarter of one percent (0.25%) of lead by weight.



Note: For 1/2" and 3/4" 400B R10 models, use 1" repair kits.
For 1 1/4" 400B R15 models, use 1 1/4" - 1 1/2" repair kits.

ORDERING CODE	KIT NO.	SIZE	LIST PRICE
---------------	---------	------	------------

Relief Valve Rubber Parts Kits:

LEAD FREE	7018518	ARK 400B RV	1/4" - 1/2"	\$36.95
	7018519	ARK 400B RV	3/4" - 1"	43.40
	7018520	ARK 400B RV	1 1/4" - 2"	48.80

Kit includes: Relief Valve Disc, RV Diaphragm, RV Seat O-Ring and Cover O-Ring

Relief Valve Seat Kits:

LEAD FREE	7018521	ARK 400B SV	1/4" - 1/2"	11.45
	7018522	ARK 400B SV	3/4" - 1"	12.25
	7018523	ARK 400B SV	1 1/4" - 2"	9.65

Kit includes: Relief Valve Seat, RV Seat O-Ring and RV Cover O-Ring

Relief Valve Cover Kits:

LEAD FREE	7018524	ARK 400B VC	1/4" - 1/2"	75.60
	7018525	ARK 400B VC	3/4" - 1"	73.10
	7018526	ARK 400B VC	1 1/4" - 2"	75.60
LEAD FREE	0425496	LFARK 400B VC	1/4" - 1/2"	95.40
	0425497	LFARK 400B VC	3/4" - 1"	92.25
	0425498	LFARK 400B VC	1 1/4" - 2"	95.40

Kit includes: Relief Valve Cover and RV Cover O-Ring

Series 400B Reduced Pressure Zone Assembly 1/2" – 2"

ORDERING CODE	KIT NO.	SIZE	LIST PRICE
---------------	---------	------	------------

First Check Kits

7016635	ARK 4000B CK1	1/2"	\$36.95
7016636	ARK 4000BM2 CK1	3/4"	21.85
7016637	ARK 4000BM3 CK1	3/4"	30.75
7016638	ARK 4000B CK1	1"	56.15
7018650	ARK 4000BM2 CK1	1"	56.15
7016639	ARK 4000B CK1	1 1/4" - 1 1/2"	107.05
7016640	ARK 4000B CK1	2"	114.25

Kit includes: Check Assembly and Cover O-Ring

Second Check Kits

7016641	ARK 4000B CK2	1/2"	36.05
7016642	ARK 4000BM2 CK2	3/4"	18.15
7016643	ARK 4000BM3 CK2	3/4"	25.25
7016644	ARK 4000B CK2	1"	51.05
7018651	ARK 4000BM2 CK2	1"	51.05
7016645	ARK 4000B CK2	1 1/4" - 1 1/2"	99.60
7016646	ARK 4000B CK2	2"	101.85

Kit Includes: Check Assembly and Cover O-Ring

Check Rubber Parts

7016647	ARK 4000B RC3	1/2"	21.80
7016648	ARK 4000BM2 RC3	3/4"	12.25
7016649	ARK 4000BM3 RC3	3/4"	20.75
7016650	ARK 4000B RC1	1"	10.50
7018652	ARK 4000BM2 RC1	1"	10.50
7016652	ARK 4000BM2 RC1	1 1/4" - 1 1/2"	22.65
7016653	ARK 4000BM2 RC1	2"	23.85

Kit Includes: Disc, Cover O-Ring and Seat O-Ring

Second Check Rubber Parts Kit

7016651	ARK 4000B RC2	1"	10.50
7018653	ARK 4000BM2 RC2	1"	10.50
7016659	ARK 4000B RC2	1 1/4" - 1 1/2"	22.65
7016660	ARK 4000B RC2	2"	23.85

Kit Includes: Second Check Assembly O-Ring, Disc Holder Assembly, Cover O-Ring, and Sensing Passage O-Ring

Retainers

7016654	ARK 4000B Retainer	1/2"	2.35
7016655	ARK 4000B Retainer	3/4"	2.35
7016665	ARK4000B-M2/M3 Retainer	3/4"	2.35
7016656	ARK 4000B Retainer	1"	3.30
7016666	ARK 4000B-M2 Retainer	1"	3.30
7016657	ARK 4000B Retainer	1 1/4" - 1 1/2"	7.35
7016658	ARK 4000B Retainer	2"	24.20

Relief Valve Kits

7016363	ARK 4000B VT	1/2"	86.50
7016364	ARK 4000BM2 VT	3/4"	50.35
7016365	ARK 4000BM3 VT	3/4"	108.10
7016366	ARK 4000B VT	1"	147.95
7018654	ARK 4000BM2 VT	1"	147.95
7016367	ARK 4000B VT	1 1/4" - 1 1/2"	201.25
7016368	ARK 4000B VT	2"	279.85

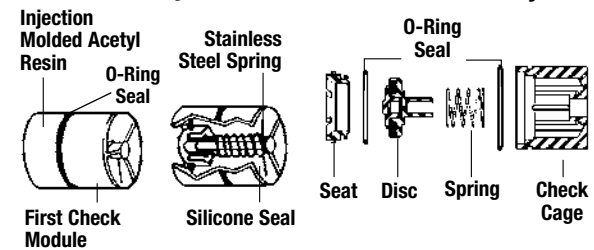
Kit Includes: Seat, Seat O-Ring, Stem & Diaphragm Assembly Stem O-Ring, Cover O-Ring and RV Spring

Relief Valve Rubber Parts Kits

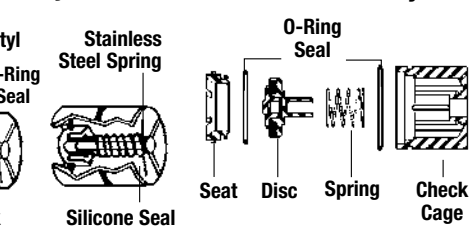
7016369	ARK 4000B RV	1/2"	36.95
7016370	ARK 4000BM2 RV	3/4"	19.85
7016371	ARK 4000BM3 RV	3/4"	41.85
7016372	ARK 4000B RV	1"	41.85
7018655	ARK 4000BM2 RV	1"	41.85
7016373	ARK 4000B RV	1 1/4" - 1 1/2"	48.80
7016374	ARK 4000B RV	2"	50.10

Kit Includes: Diaphragm, Disc Assembly, Stem O-Rings, Seat O-Ring and Cover O-Ring

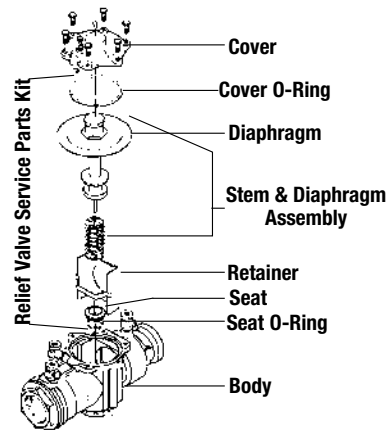
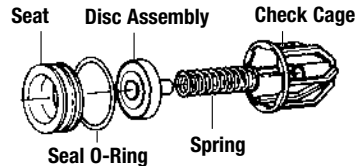
Check Assembly – 3/4"



Check Assembly 3/4" M3



Check Assembly 1" – 2"



ORDERING CODE	KIT NO.	SIZE	LIST PRICE
---------------	---------	------	------------

Total Rubber Parts Kits

7016375	ARK 4000B RT	1/2"	\$58.65
7016376	ARK 4000BM2 RT	3/4"	28.55
7016377	ARK 4000BM3 RT	3/4"	65.10
7016378	ARK 4000B RT	1"	62.55
7018656	ARK 4000BM2 RT	1"	62.55
7016379	ARK 4000B RT	1 1/4" - 1 1/2"	96.70
7016380	ARK 4000B RT	2"	97.85

Kit Includes: Diaphragm, Two Disc, Two Disc Assemblies, Stem O-Rings, Cover O-Rings, Two Seat O-Rings and RV Seat O-Ring

Cover Kits

7016381	ARK 4000B C	1/2"	52.60
7016382	ARK 4000B M2 C	3/4"	59.45
7016383	ARK 4000B M3 C	3/4"	58.50
7016384	ARK 4000B C	1"	84.80
7018657	ARK 4000BM2 C	1"	84.80
7016385	ARK 4000B C	1 1/4" - 1 1/2"	118.75
7016386	ARK 4000B C	2"	134.05
0425438	LFARK 4000B C	1/4" - 1/2"	66.40
0425439	LFARK 4000B C	3/4"	73.85
0425440	LFARK 4000B C	1"	107.05
0425441	LFARK 4000B C	1 1/4" - 1 1/2"	149.90
0425442	LFARK 4000B C	2"	169.20

Kit Includes: Cover and Cover O-Ring

For ball valve replacement, refer to page 31.

*The wetted surface of this product contacted by consumable water contains less than one quarter of one percent (0.25%) of lead by weight.

Series C-400 Reduced Pressure Zone Assembly 2½" – 10"

Series C-500 Reduced Pressure Detector Assembly 2½" – 10"

ORDERING CODE	KIT NO.	SIZE	CHECK DISK MATERIAL	LIST PRICE
---------------	---------	------	---------------------	------------

C400, C500 1st Check

LEAD FREE	7010023	ARK C400/C500 CK1	2½" - 4"	Red Silicone	\$292.55
	7010025	ARK C400/C500 CK1	6"	Red Silicone	434.50
	7010026	ARK C400/C500 CK1	8"	Red Silicone	691.45
	7010027	ARK C400/C500 CK1	10"	Red Silicone	937.30
	7010022	ARK C400/C500 CK1-E	2½" - 4"	EPDM	292.55
	7010024	ARK C400/C500 CK1-E	6"	EPDM	434.50

Kit includes: 1st Check Assembly and Check O-Ring

2nd Check

LEAD FREE	7010029	ARK C400/C500 CK2	2½" - 4"	Red Silicone	275.95
	7010031	ARK C400/C500 CK2 <td>6"</td> <td>Red Silicone <td>383.40</td> </td>	6"	Red Silicone <td>383.40</td>	383.40
	7010032	ARK C400/C500 CK2 <td>8"</td> <td>Red Silicone <td>635.70</td> </td>	8"	Red Silicone <td>635.70</td>	635.70
	7010033	ARK C400/C500 CK2 <td>10"</td> <td>Red Silicone <td>799.70</td> </td>	10"	Red Silicone <td>799.70</td>	799.70
	7010028	ARK C400/C500 CK2-E <td>2½" - 4" <td>EPDM <td>275.95</td> </td></td>	2½" - 4" <td>EPDM <td>275.95</td> </td>	EPDM <td>275.95</td>	275.95
	7010030	ARK C400/C500 CK2-E <td>6"</td> <td>EPDM</td> <td>383.40</td>	6"	EPDM	383.40

Kit Includes: 2nd Check Assembly and Check O-Ring

Check Rubber Parts Kit

LEAD FREE	7010035	ARK C400/C500 RC4	2½" - 4"	Red Silicone	35.85
	7010037 <td>ARK C400/C500 RC4 <td>6"</td> <td>Red Silicone <td>45.75</td> </td></td>	ARK C400/C500 RC4 <td>6"</td> <td>Red Silicone <td>45.75</td> </td>	6"	Red Silicone <td>45.75</td>	45.75
	7010038 <td>ARK C400/C500 RC4 <td>8"</td> <td>Red Silicone <td>64.10</td> </td></td>	ARK C400/C500 RC4 <td>8"</td> <td>Red Silicone <td>64.10</td> </td>	8"	Red Silicone <td>64.10</td>	64.10
	7010039 <td>ARK C400/C500 RC4 <td>10"</td> <td>Red Silicone <td>143.85</td> </td></td>	ARK C400/C500 RC4 <td>10"</td> <td>Red Silicone <td>143.85</td> </td>	10"	Red Silicone <td>143.85</td>	143.85
	7010034 <td>ARK C400/C500 RC4-E <td>2½" - 4" <td>EPDM <td>35.85</td> </td></td></td>	ARK C400/C500 RC4-E <td>2½" - 4" <td>EPDM <td>35.85</td> </td></td>	2½" - 4" <td>EPDM <td>35.85</td> </td>	EPDM <td>35.85</td>	35.85
	7010036 <td>ARK C400/C500 RC4-E <td>6"</td> <td>EPDM <td>45.75</td> </td></td>	ARK C400/C500 RC4-E <td>6"</td> <td>EPDM <td>45.75</td> </td>	6"	EPDM <td>45.75</td>	45.75

Kit includes: Shutoff Disk (1), Check O-Ring (1), E-Clip and Lube

Total Rubber Parts Kit

LEAD FREE	7010041	ARK C400/C500 RT	2½" - 4"	Red Silicone	244.95
	7010043 <th>ARK C400/C500 RT</th> <td>6"</td> <td>Red Silicone</td> <td>263.65</td>	ARK C400/C500 RT	6"	Red Silicone	263.65
	7010044 <th>ARK C400/C500 RT</th> <td>8"</td> <td>Red Silicone</td> <td>300.75</td>	ARK C400/C500 RT	8"	Red Silicone	300.75
	7010045 <th>ARK C400/C500 RT</th> <td>10"</td> <td>Red Silicone</td> <td>494.35</td>	ARK C400/C500 RT	10"	Red Silicone	494.35
	7010040 <th>ARK C400/C500 RT-E</th> <td>2½" - 4"</td> <td>EPDM</td> <td>244.95</td>	ARK C400/C500 RT-E	2½" - 4"	EPDM	244.95
	7010042 <th>ARK C400/C500 RT-E</th> <td>6"</td> <td>EPDM</td> <td>263.65</td>	ARK C400/C500 RT-E	6"	EPDM	263.65

Kit Includes: Shutoff Disk (2), Check O-Ring (2), E-Clip (2), RV Diaphragm, RV Piston, Sleeve O-Rings (2), RV E-Clip, RV O-Ring and Lube

Relief Valve Kit – Total

LEAD FREE	7010046	ARK C/M 400/500 VT	2½" - 10"	647.95
-----------	---------	--------------------	-----------	--------

Kit Includes: Complete RV w/36" Hose, RV O-Ring and Lube

Relief Valve Rubber Parts Kit

LEAD FREE	7010047	ARK C/M 400/500 RV	2½" - 10"	182.95
-----------	---------	--------------------	-----------	--------

Kit Includes: RV Diaphragm, RV Piston, RV E-Clip, RV O-Ring and Lube

Cover Kit

LEAD FREE	7010012	ARK C/M C	2½" - 4"	231.80
	7010013	ARK C/M C	6"	376.70
	7010014	ARK C/M C	8"	714.05
	7010015	ARK C/M C	10"	893.20

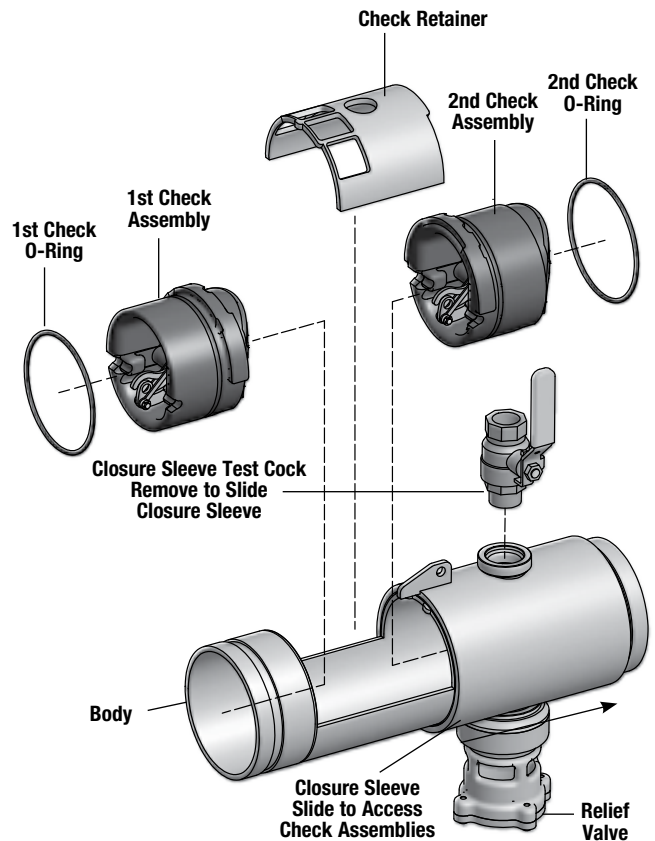
Kit Includes: Cover Sleeve, Sleeve O-Ring (2) and Lube

Test Cock

7018152	ARK C/M TC3	½"	(2½" - 4")	34.00
7018153	ARK C/M TC3	¾"	(6" - 10")	50.25

*The wetted surface of this product contacted by consumable water contains less than one quarter of one percent (0.25%) of lead by weight.

2½" – 10" C400/C500



Series M-400 Reduced Pressure Zone Assembly 2½" – 10" Series M-500 Reduced Pressure Detector Assembly 2½" – 10"

ORDERING CODE	KIT NO.	SIZE	CHECK DISK	LIST PRICE
		MATERIAL		

M400, M500 1st Check

LEAD FREE	ORDERING CODE	KIT NO.	SIZE	CHECK DISK	LIST PRICE
	7010067	ARK M400/M500 CK1	2½" - 3"	Red Silicone	\$292.55
	7010069	ARK M400/M500 CK1	4"	Red Silicone	434.50
	7010070	ARK M400/M500 CK1	6"	Red Silicone	691.45
	7010071	ARK M400/M500 CK1	8" - 10"	Red Silicone	937.30
	7010066	ARK M400/M500 CK1-E	2½" - 3"	EPDM	292.55
	7010068	ARK M400/M500 CK1-E	4"	EPDM	434.50

Kit includes: 1st Check Assembly, Check O-Ring and Lube

2nd Check

LEAD FREE	ORDERING CODE	KIT NO.	SIZE	CHECK DISK	LIST PRICE
	7010073	ARK M400/M500 CK2	2½" - 3"	Red Silicone	275.95
	7010075	ARK M400/M500 CK2	4"	Red Silicone	383.40
	7010076	ARK M400/M500 CK2	6"	Red Silicone	635.70
	7010077	ARK M400/M500 CK2	8" - 10"	Red Silicone	799.70
	7010072	ARK M400/M500 CK2-E	2½" - 3"	EPDM	275.95
	7010074	ARK M400/M500 CK2-E	4"	EPDM	383.40

Kit includes: 2nd Check Assembly, Check O-Ring and Lube

Check Rubber Parts Kit

LEAD FREE	ORDERING CODE	KIT NO.	SIZE	CHECK DISK	LIST PRICE
	7010079	ARK M400/M500 RC4	2½" - 3"	Red Silicone	35.85
	7010081	ARK M400/M500 RC4	4"	Red Silicone	45.75
	7010082	ARK M400/M500 RC4	6"	Red Silicone	28.80
	7010083	ARK M400/M500 RC4	8" - 10"	Red Silicone	143.85
	7010078	ARK M400/M500 RC4-E	2½" - 3"	EPDM	35.85
	7010080	ARK M400/M500 RC4-E	4"	EPDM	45.75

Kit includes: Shutoff Disk (1), Check O-Ring (1), E-Clip and Lube

Total Rubber Parts Kit

LEAD FREE	ORDERING CODE	KIT NO.	SIZE	CHECK DISK	LIST PRICE
	7010085	ARK M400/M500 RT	2½" - 3"	Red Silicone	244.95
	7010087	ARK M400/M500 RT	4"	Red Silicone	263.65
	7010088	ARK M400/M500 RT	6"	Red Silicone	300.75
	7010089	ARK M400/M500 RT	8" - 10"	Red Silicone	494.35
	7010084	ARK M400/M500 RT-E	2½" - 3"	EPDM	244.95
	7010086	ARK M400/M500 RT-E	4"	EPDM	263.65

Kit Includes: Shutoff Disk (2), Check O-Ring (2), Sleeve O-Ring (2), E-Clip (2), RV Diaphragm, RV Piston, RV E-Clip, RV O-Ring and Lube

Relief Valve Kit – Total

LEAD FREE	ORDERING CODE	KIT NO.	SIZE	LIST PRICE
	7010046	ARK C/M 400/500 VT	2½" - 10"	647.95

Kit Includes: Complete RV w/36" Hose, RV O-Ring and Lube

Relief Valve Rubber Parts Kit

LEAD FREE	ORDERING CODE	KIT NO.	SIZE	LIST PRICE
	7010047	ARK C/M 400/500 RV	2½" - 10"	182.95

Kit Includes: RV Diaphragm, RV Piston, RV E-Clip, RV O-Ring and Lube

Sleeve Kit

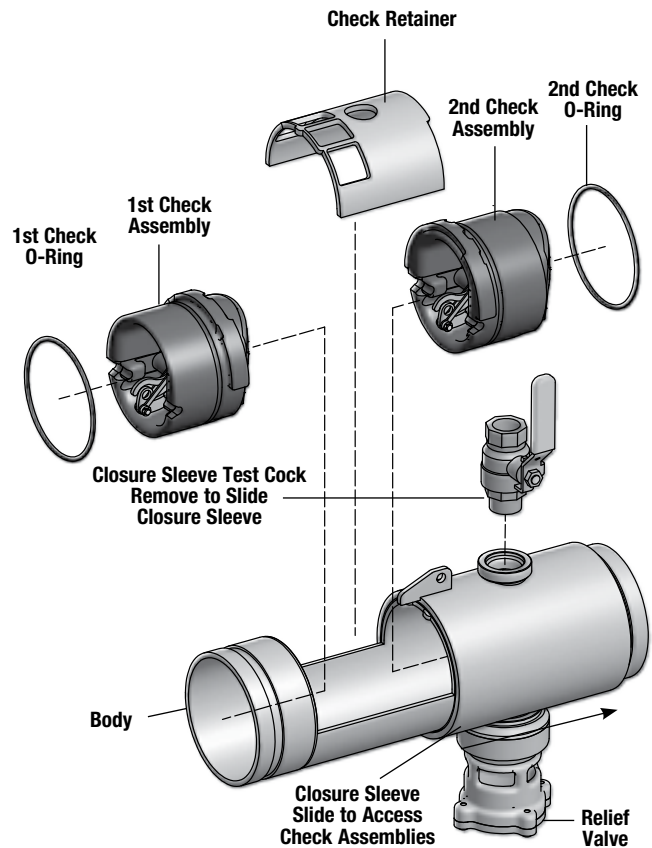
LEAD FREE	ORDERING CODE	KIT NO.	SIZE	LIST PRICE
	7010012	ARK C/M C	2½" - 4"	231.80
	7010013	ARK C/M C	6"	376.70
	7010014	ARK C/M C	8"	714.05
	7010015	ARK C/M C	10"	893.20

Kit includes: Closure Sleeve, Sleeve O-Ring (2) and Lube

Test Cock

ORDERING CODE	KIT NO.	SIZE	LIST PRICE
7018152	ARK C/M TC3	½" (2½" - 3")	34.00
7018153	ARK C/M TC3	¾" (4" - 10")	50.25

2½" – 10" M400/M500



*The wetted surface of this product contacted by consumable water contains less than one quarter of one percent (0.25%) of lead by weight.

Series C-400 Reduced Pressure Zone Assembly 2½" – 10" Series C-500 Reduced Pressure Detector Assembly 2½" – 10"

Relief valve kits

When ordering specify Ordering Code, Kit No., and Valve Size.

ORDERING NO.	KIT NO.	SIZE	LIST PRICE
--------------	---------	------	------------

Relief Valve Total Kit

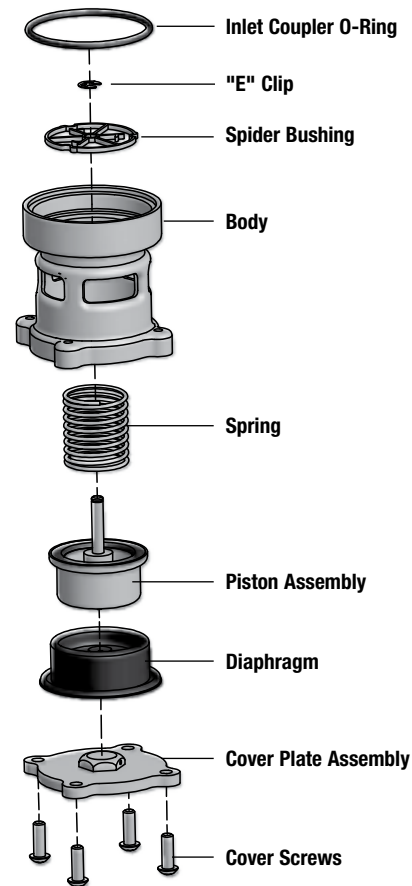
LEAD FREE	7010046	ARK C/M 400/500 VT	2½" - 10"	\$647.95
Kit Includes: Complete RV w/36" Hose, RV O-Ring and Lube				

Relief Valve Rubber Parts Kit

LEAD FREE	7010047	ARK C/M 400/500 RV	2½" - 10"	182.95
Kit Includes: RV Diaphragm, RV Piston, RV E-Clip, RV O-Ring and Lube				

*The wetted surface of this product contacted by consumable water contains less than one quarter of one percent (0.25%) of lead by weight.

2½" – 10" C400/C500



Relief Valve Sensor Lines

Colt

ITEM NO.	DESCRIPTION	USE FOR	ORDERING CODE	LIST PRICE
NS	Hose ½ x 20"	2½ – 4 C400, C500	7018890	\$9.35
NS	Hose ½ x 24"	2½ & 3 C400 N & Z	7018891	10.30
		2½ & 3 C500 N & Z		
NS	Hose ½ x 30"	6 C400, 4 C400N, 2½, 3, 4 C400Z, 6, 8 C500, 4, 6, 8 C500 N & Z, 2½, 3, 4 C500BFG, 2½, 3, 4, 6 C500BFG N & Z	7018892	10.95
NS	Hose ½ x 36"	8 & 10 C400, 6, 8, 10 C400 N & Z, 10 C500 N & Z, 6 & 8 C500BFG N & Z	7018893	12.80

Maxim

ITEM NO.	DESCRIPTION	USE FOR	ORDERING CODE	LIST PRICE
NS	Hose ½ x 20"	2½ & 3 M400, M500	7018890	\$9.35
NS	Hose ½ x 24"	2½ & 3 M400 N & Z	7018891	10.30
NS	Hose ½ x 30"	6 M400, 2.5, 3, 4 M500, 2½, 3, 4 M400 N & Z, 2½, 3, 4 M500 N & Z, 2½ & 3 M500 N & Z BFG	7018892	10.95
NS	Hose ½ x 36"	8 & 10 M400, 6, 8, 10 M400 N & Z, 4 & 6 M400BFG N & Z, 6, 8, 10 M500, 6, 8, 10 M500 N & Z 4 & 6 M500BFG N & Z	7018893	12.80

Series 4000SS Reduced Pressure Zone Assembly 2½" – 10" Series 5000SS Reduced Pressure Detector Assembly 2½" – 10"

ORDERING CODE KIT NO. SIZE LIST PRICE

4000SS, 5000SS 1st Check

LEAD FREE	ORDERING CODE	KIT NO.	SIZE	LIST PRICE
	7010107	ARK 4000SS/5000SS CK1	2½" - 4"	\$290.70
	7010108	ARK 4000SS/5000SS CK1	6"	312.10
	7010109	ARK 4000SS/5000SS CK1	8" - 10"	1324.05

Kit includes: 1st Check, Check O-Ring, Retaining Nuts (4) and Lube

2nd Check

LEAD FREE	ORDERING CODE	KIT NO.	SIZE	LIST PRICE
	7010110	ARK 4000SS/5000SS CK2	2½" - 4"	262.60
	7010111	ARK 4000SS/5000SS CK2	6"	279.90
	7010112	ARK 4000SS/5000SS CK2	8" - 10"	807.35

Kit includes: 2nd Check, Check O-Ring, Retaining Bolts (4) and Lube

Relief Valve Kit

LEAD FREE	ORDERING CODE	KIT NO.	SIZE	LIST PRICE
	7010114	ARK 4000SS/5000SS VT	2½" - 10"	1011.30

Kit Includes: Complete RV, RV O-Ring and Lube

Relief Valve Rubber Parts Kit

LEAD FREE	ORDERING CODE	KIT NO.	SIZE	LIST PRICE
	7010113	ARK 4000SS/5000SS RV	2½" - 10"	160.35

Kit Includes: RV Diaphragm, Piston, RV Disc, RV Disc O-Ring and Lube

Cover Kit

LEAD FREE	ORDERING CODE	KIT NO.	SIZE	LIST PRICE
	7010090	ARK SS C	2½" - 4"	300.20
	7010091	ARK SS C	6"	447.30
	7010093	ARK SE/SS C	8" - 12"	573.45

Kit includes: Grooved Couple, and Gasket

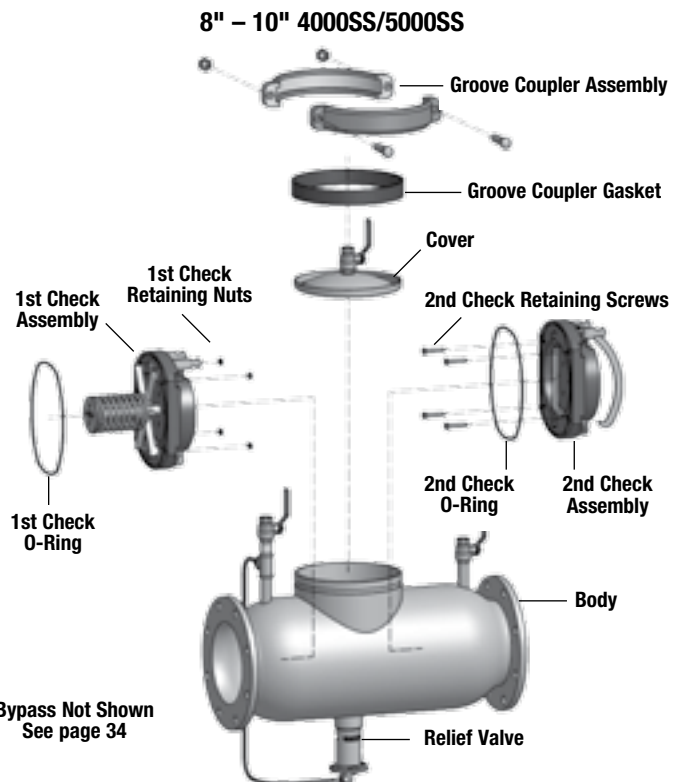
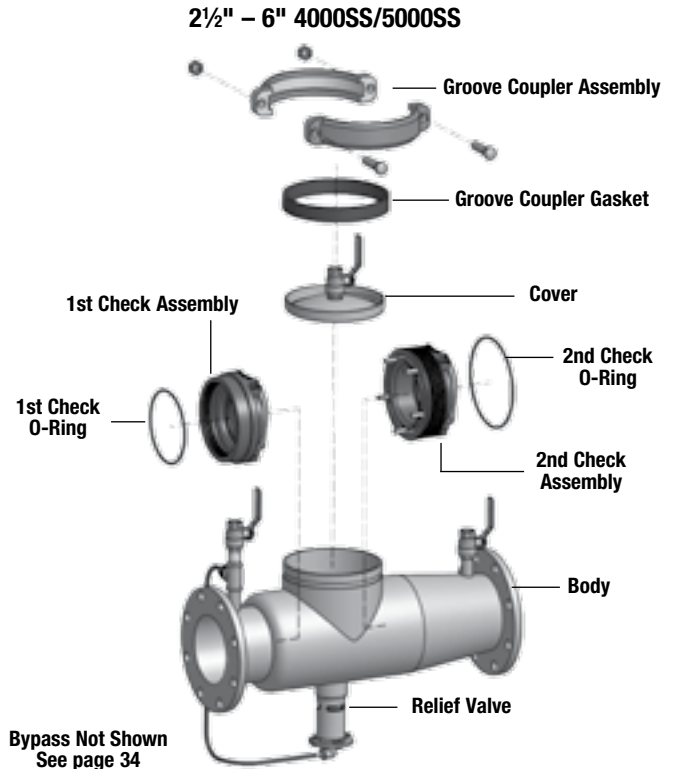
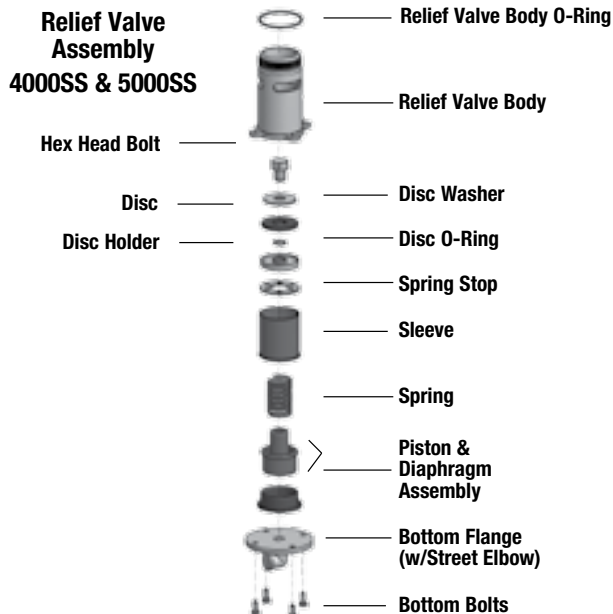
4000BLT, 6000HMB

LEAD FREE	ORDERING CODE	KIT NO.	SIZE	LIST PRICE
	7010115	ARK HMB/BLT CK1	2½" - 3"	290.70
	7010116	ARK HMB/BLT CK2	2½" - 3"	360.60
	7010117	ARK HMB/BLT VT	2½" - 3"	1162.95
	7010090	ARK SS C	2½" - 4"	300.20
	7017555	SUPPORT ROD, REPLACEMENT		320.55

RV Sensing Hose

7013343	ARK 4000SS/5000SS RVH	2½" - 6"	82.60
7013522	ARK 4000SS/5000SS RVH	8" - 10"	70.85

*The wetted surface of this product contacted by consumable water contains less than one quarter of one percent (0.25%) of lead by weight.



Series 4001SS Reduced Pressure Zone Assembly 3" – 6" Series 5001SS Reduced Pressure Detector Assembly 3" – 6"

ORDERING CODE	KIT NO.	SIZE	LIST PRICE
---------------	---------	------	------------

4001SS, 5001SS 1st Check

LEAD FREE 7010128	ARK 4001SS/5001SS CK1	2½" - 4"	\$447.05
7010129	ARK 4001SS/5001SS CK1	6" - 8"	600.10

Kit includes: 1st Check Assembly, Check O-Ring and Lube

2nd Check

LEAD FREE 7010130	ARK 4001SS/5001SS CK2	2½" - 4"	507.90
7010131	ARK 4001SS/5001SS CK2	6" - 8"	701.90

Kit includes: 2nd Check Assembly, Check O-Ring and Lube

1st Check Rubber Parts Kit

LEAD FREE 7010132	ARK 4001SS/5001SS RC1	2½" - 4"	18.10
7010133	ARK 4001SS/5001SS RC1	6" - 8"	25.75

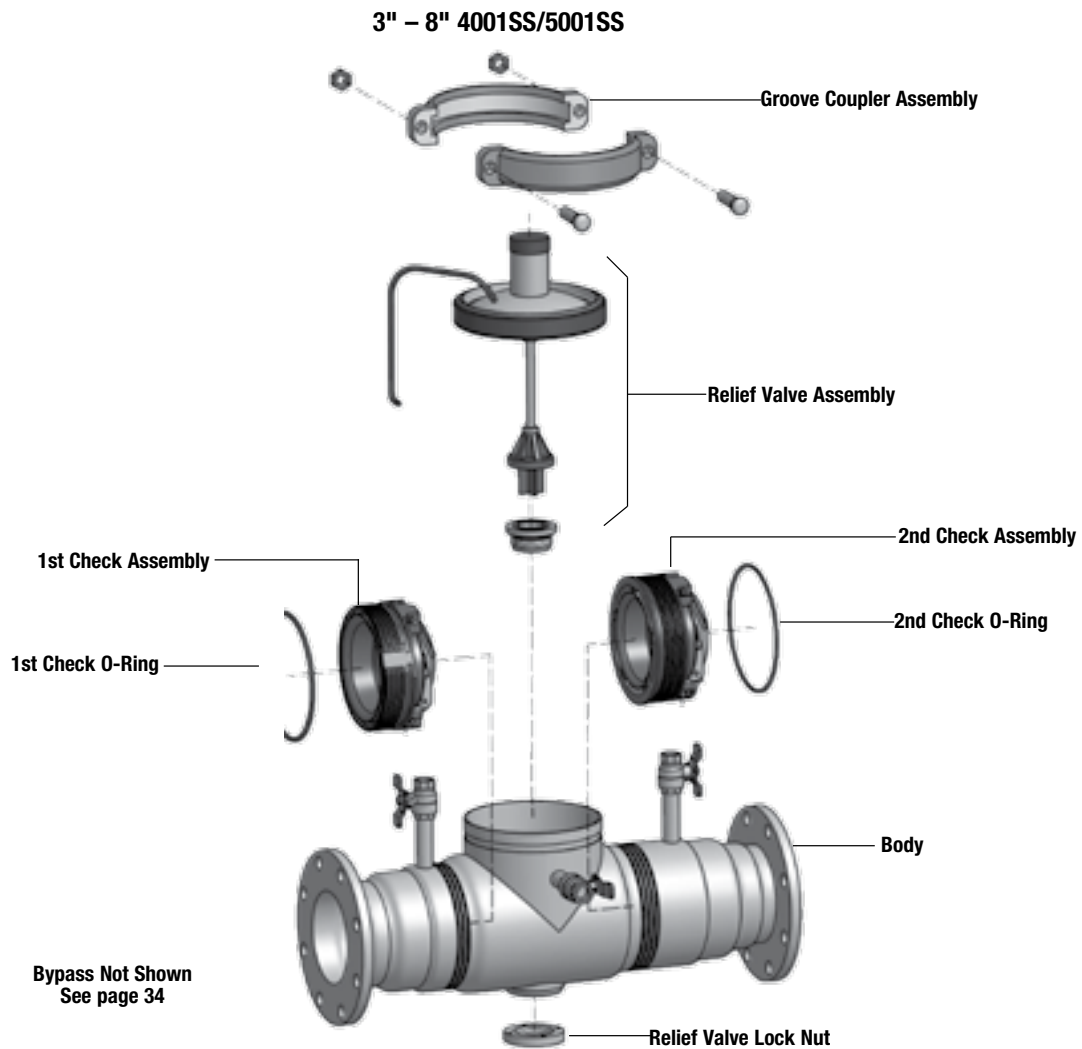
Kit includes: Check Disk, Check O-Ring, C-Clips (2) and Lube

2nd Check Rubber Parts kit

LEAD FREE 7010134	ARK 4001SS/5001SS RC2	2½" - 4"	27.95
7010135	ARK 4001SS/5001SS RC2	6" - 8"	41.00

Kit includes: Check Disk, Check O-Ring, C-Clips (2) and Lube

*The wetted surface of this product contacted by consumable water contains less than one quarter of one percent (0.25%) of lead by weight.



Series 4001SS Reduced Pressure Zone Assembly 3" – 6" Series 5001SS Reduced Pressure Detector Assembly 3" – 6"

Relief Valve Kits

When ordering specify Ordering Code, Kit No., and Valve Size.

ORDERING CODE	KIT NO.	SIZE	LIST PRICE
---------------	---------	------	------------

4001SS, 5001SS Total Rubber Parts Kit

LEAD FREE	7010136	ARK 4001SS/5001SS RT	2½" - 4"	\$419.05
7010137		ARK 4001SS/5001SS RT	6" - 8"	521.45

Kit consists of: Check O-Rings (2), Check Disk (2), Check C-Clip (4), Diaphragm Gasket, Guide O-ring, Shaft O-Ring, Center Guide O-Ring, Seal Cup and Seal Cup Gasket

Relief Valve Rubber Parts Kit

LEAD FREE	7010138	ARK 4001SS/5001SS VT	2½" - 4"	1124.80
7010139		ARK 4001SS/5001SS VT	6" - 8"	1131.30

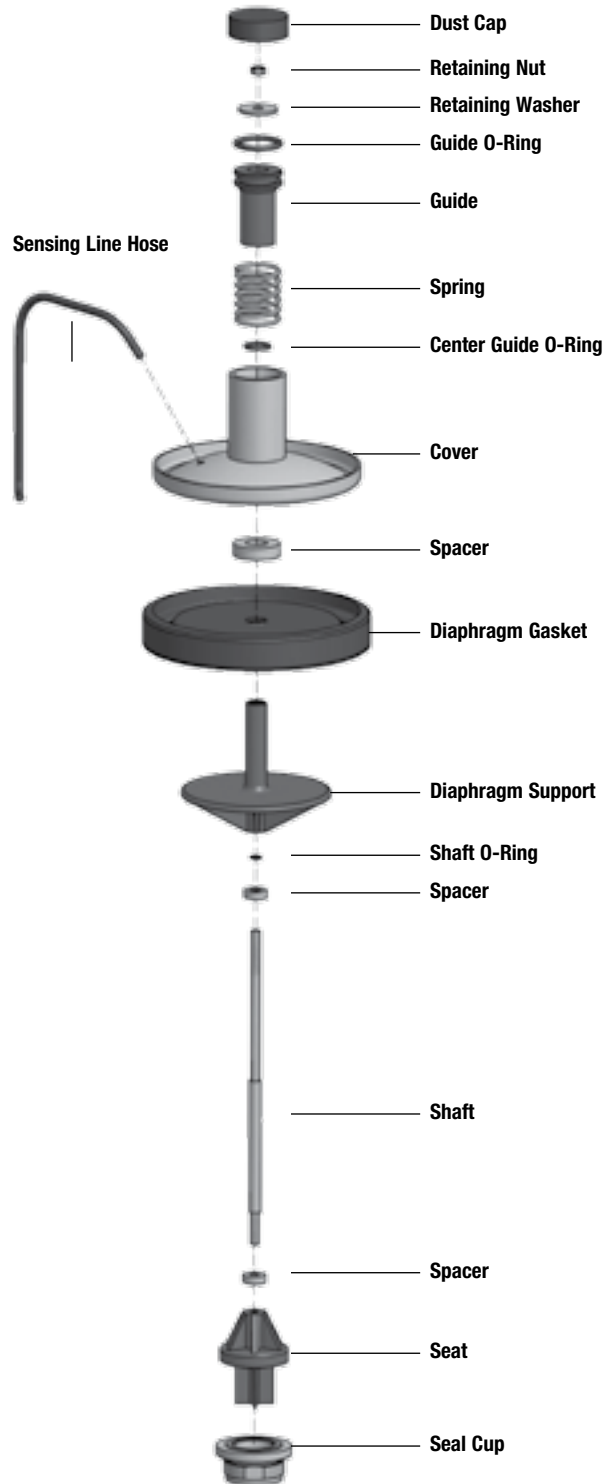
Kit consists of: Relief Valve Assembly, Diaphragm, and all Relief Valve Components.

Relief Valve Rubber Parts Kit

LEAD FREE	7010140	ARK 4001SS/5001SS RV	2½" - 4"	389.00
7010141		ARK 4001SS/5001SS RV	6" - 8"	455.70

Kit consists of: Diaphragm Gasket, Shaft O-Ring, Guide O-Ring, Center Guide O-Ring, Seal Cup and Seal Cup Gasket

Relief Valve 4001SS & 5001SS



RELIEF VALVE SERVICE INSTRUCTIONS

1. Prior to beginning any maintenance work, shut down the water supply to the unit and relieve any residual pressure in the valve by opening Test Cock (TC) #4.
2. The relief valve is an integral part of the lid assembly and may be serviced when the lid assembly is removed from the body of the valve.
3. The relief valve may be disconnected from the sensing line hose if desired to enable easier access to all parts of the assembly.

REPLACING THE SEALING DISC

1. Remove relief valve assembly from body.
2. Unscrew Seal Cup Lock Nut from the underside of the body
3. Remove Seal Cup and Gasket thru the body access port.
4. Install NEW Seal Cup and gasket in reverse order.
5. Reinstall Lock Nut. DO NOT CROSS THREAD.

COMPLETE DISASSEMBLY OF THE RELIEF VALVE

1. Remove Sensing line from "T" junction at TC #2.
2. Remove Relief Valve Assembly from body.
3. Where available, clamp the RV assembly at the center section of the shaft on to the jaws of a vise and tighten sufficiently to prevent turning during disassembly.
4. Unscrew the seat from the shaft by turning counter clockwise.
5. Remove lower spacer (**Note:** Chamber side should be down).
6. Remove dust cap.
7. Remove retaining nut (**Note:** Apply light downward pressure to prevent spring from POPPING off the spring guide and retaining washer).
8. Lift off the cover. All internal parts will be pulled off the shaft at the same time.
9. Remove Spacer (Note direction of chamber)
10. Remove the diaphragm (Note direction of roll/convalute for reinstallation)
11. Remove diaphragm support.
12. Remove shaft O-ring.
13. Remove Upper spacer (Note chamber side should be on the top)

RV STYLE:

After removing Dust Cap, inspect Retainer Nut

OLD STYLE: HEX molded in guide - Parts no longer available.

NEW STYLE: ⅜" Nylock HEX nut - Parts shown stainless.

*The wetted surface of this product contacted by consumable water contains less than one quarter of one percent (0.25%) of lead by weight.

Series 4000CIV Reduced Pressure Zone Valve 2½" – 3"

ORDERING CODE	KIT NO.	SIZE	LIST PRICE
---------------	---------	------	------------

First Check Kit

7016206	ARK 4000CIV CK1	2½" - 3"	\$398.85
LEAD FREE 0425445	LFARK 4000CIV CK1	2½" - 3"	\$475.30

Second Check Kit

7016211	ARK 4000CIV CK2	2½" - 3"	382.95
LEAD FREE 0425446	LFARK 4000CIV CK2	2½" - 3"	456.35

Kit includes: Check Assembly, Cover O-Ring and Flow Tube O-Ring.

First Check Rubber Parts Kit

LEAD FREE 7016216	ARK 4000CIV RC1	2½" - 3"	72.80
-----------------------------	-----------------	----------	-------

Second Check Rubber Parts Kit

LEAD FREE 7016221	ARK 4000CIV RC2	2½" - 3"	70.85
-----------------------------	-----------------	----------	-------

Kit includes: Disc, Seat O-Ring and Flow Tube O-Ring.

Seat Kit

7016226	ARK 4000CIV S	2½" - 3"	151.80
LEAD FREE 0425448	LFARK 4000CIV S	2½" - 3"	182.65

Kit includes: Check Seat, Seat O-Ring and Cover O-Ring.

Total Rubber Parts

7016231	ARK 4000CIV RT	2½" - 3"	324.80
LEAD FREE 0425447	LFARK 4000CIV RT	2½" - 3"	390.80

Kit includes: Diaphragm, Two Discs, Two Molded Disc Assemblies, Two Seat O-Rings, RV-O-Ring, Two Piston O-Rings, RV Stem O-Ring, Flow Tube O-Rings and Cover O-Ring.

Relief Valve Total Kit

7016270	ARK 4000CIV VT	2½" - 3"	327.50
LEAD FREE 0425443	LFARK 4000CIV VT	2½" - 3"	422.80

Kit includes: Seat, Stem Assembly, Spring, Two Piston O-Rings, Flow Tube O-Rings and Cover O-Ring.

Relief Valve Rubber Parts Kit

7016266	ARK 4000CIV RV	2½" - 3"	172.80
LEAD FREE 0425444	LFARK 4000CIV RV	2½" - 3"	218.05

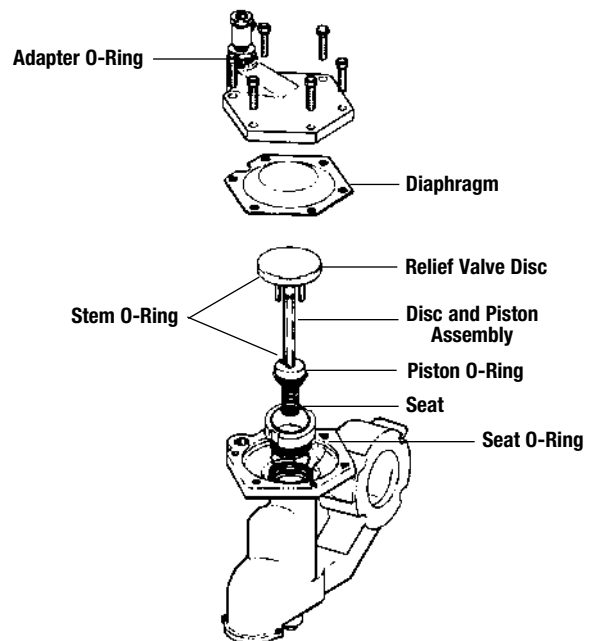
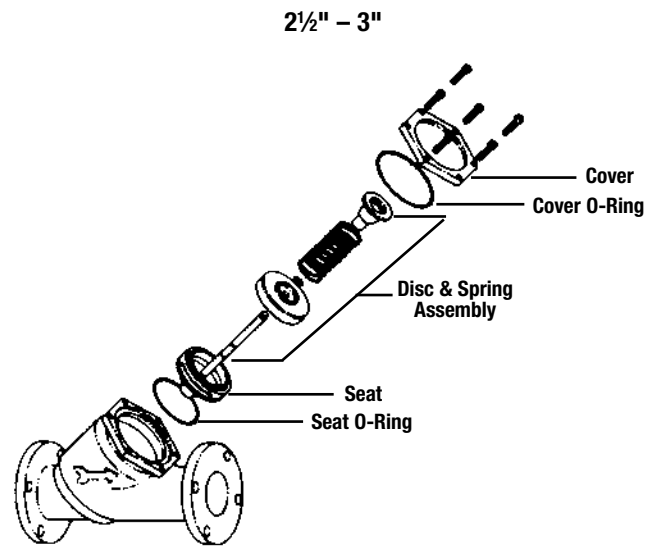
Kit includes: Diaphragm, Disc, Molded Disc Assembly, Piston O-Rings, Stem O-Ring and Cover O-Ring.

Cover Kit

LEAD FREE 7016274	ARK 4000CIV C	2½" - 3"	240.60
-----------------------------	---------------	----------	--------

Kit includes: Cover, Cover O-Ring and Flow Tube O-Ring.

*The wetted surface of this product contacted by consumable water contains less than one quarter of one percent (0.25%) of lead by weight.



Series 4000CIV Reduced Pressure Zone Assembly 4" – 10"

ORDERING CODE	KIT NO.	SIZE	LIST PRICE
---------------	---------	------	------------

First Check Kits

7016207	ARK 4000CIV CK1	4"	\$630.40
7016208	ARK 4000CIV CK1	6"	1137.45
7016209	ARK 4000CIV CK1	8"	2054.45
7016210	ARK 4000CIV CK1	10"	3049.20
0425457	LFLFARK 4000CIV CK1	4"	758.50
0425458	LFLFARK 4000CIV CK1	6"	1368.55
0425459	LFLFARK 4000CIV CK1	8"	2471.90
0425460	LFLFARK 4000CIV CK1	10"	3668.75

Second Check Kits

7016212	ARK 4000CIV CK2	4"	577.15
7016213	ARK 4000CIV CK2	6"	995.20
7016214	ARK 4000CIV CK2	8"	1820.40
7016215	ARK 4000CIV CK2	10"	2450.35
0425461	LFARK 4000CIV CK2	4"	694.45
0425462	LFARK 4000CIV CK2	6"	1197.45
0425463	LFARK 4000CIV CK2	8"	2190.30
0425464	LFARK 4000CIV CK2	10"	2948.25

Kit includes: Disc & Spring Assembly, Cover O-Ring and Lubricant

Seat Kits for Checks

7016227	ARK 4000CIV S	4"	209.00
7016228	ARK 4000CIV S	6"	358.40
7016229	ARK 4000CIV S	8"	853.90
7016230	ARK 4000CIV S	10"	997.40
0425465	LFARK 4000CIV S	4"	251.45
0425466	LFARK 4000CIV S	6"	431.20
0425467	LFARK 4000CIV S	8"	1027.40
0425468	LFARK 4000CIV S	10"	1200.05

Kit includes: Seat, Seat O-Ring, Cover O-Ring, Retainer Wire and Lubricant

First Check Rubber Parts Kits

7016217	ARK 4000CIV RC1	4"	88.60
7016218	ARK 4000CIV RC1	6"	100.85
7016219	ARK 4000CIV RC1	8"	121.75
7016220	ARK 4000CIV RC1	10"	165.85

Kit includes: Lower Stem O-Ring (6" only), Check Disc, Cover O-Ring and Lubricant

Second Check Rubber Parts Kits

7016222	ARK 4000CIV RC2	4"	88.60
7016223	ARK 4000CIV RC2	6"	100.85
7016224	ARK 4000CIV RC2	8"	121.75
7016225	ARK 4000CIV RC2	10"	165.85

Kit includes: Lower Stem O-Ring (6" only), Check Disc, Cover O-Ring and Lubricant

Relief Valve Rubber Parts

7016268	ARK 4000CIV RV	4" - 10"	287.00
0425450	LFARK 4000CIV RV	8" - 10"	345.30

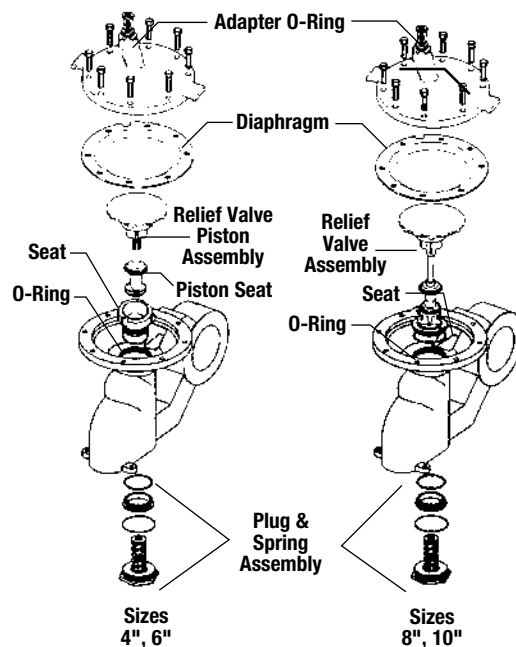
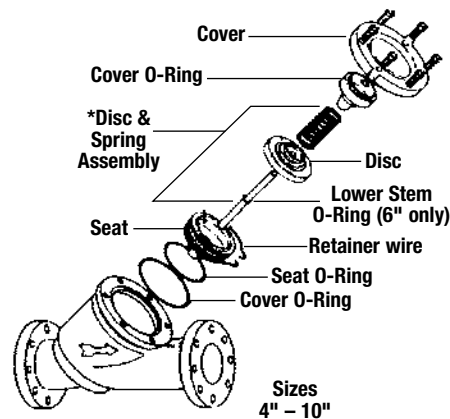
Kit includes: Sleeve O-Ring, Seat O-Ring, Piston O-Ring, Stem O-Ring, RV Disc Assembly, Diaphragm, Piston Seal, Bottom Plug O-Ring and Lubricant

Relief Valve Total

7016271	ARK 4000CIV VT	4" - 10"	625.50
0425451	LFARK 4000CIV VT	4" - 6"	752.60

Kit includes: Adapter O-Ring, Diaphragm, Disc & Piston Assembly Seat, Seat O-Ring and Lubricant

*The wetted surface of this product contacted by consumable water contains less than one quarter of one percent (0.25%) of lead by weight.



ORDERING CODE	KIT NO.	SIZE	LIST PRICE
---------------	---------	------	------------

Complete Rubber Parts

7016232	ARK 4000CIV RT	4"	405.35
7016233	ARK 4000CIV RT	6"	425.45
7016234	ARK 4000CIV RT	8"	525.00
7016235	ARK 4000CIV RT	10"	613.10
0425453	LFARK 4000CIV RT	4"	487.70
0425454	LFARK 4000CIV RT	6"	511.85
0425455	LFARK 4000CIV RT	8"	631.65
0425456	LFARK 4000CIV RT	10"	737.65

Kit includes: RC1, RC2, RV

Cover Kits

7016275	ARK 4000CIV C	4"	254.50
7016276	ARK 4000CIV C	6"	354.65
7016277	ARK 4000CIV C	8"	580.60
7016278	ARK 4000CIV C	10"	1299.50

Kit includes: Cover, Cover O-Ring and Lubricant

Series 5000CIV Reduced Pressure Detector Assembly 2½" – 10"

ORDERING CODE	KIT NO.	SIZE	LIST PRICE
First Check Kits			
7016236	ARK 5000CIV CK1	2½" - 3"	\$453.20
7016237	ARK 5000CIV CK1	4"	630.40
7016238	ARK 5000CIV CK1	6"	1137.45
7016239	ARK 5000CIV CK1	8"	2054.45
7016240	ARK 5000CIV CK1	10"	3049.20

ORDERING CODE	KIT NO.	SIZE	LIST PRICE
Second Check Kits			
7016241	ARK 5000CIV CK2	2½" - 3"	361.60
7016242	ARK 5000CIV CK2	4"	577.15
7016243	ARK 5000CIV CK2	6"	995.20
7016244	ARK 5000CIV CK2	8"	1820.40
7016245	ARK 5000CIV CK2	10"	2450.35

Kit includes: Disc & Spring Assembly, Cover O-Ring and Lubricant

ORDERING CODE	KIT NO.	SIZE	LIST PRICE
Seat Kits for Checks			
7016256	ARK 5000CIV S	2½" - 3"	143.25
7016257	ARK 5000CIV S	4"	209.00
7016258	ARK 5000CIV S	6"	358.40
7016259	ARK 5000CIV S	8"	853.90
7016260	ARK 5000CIV S	10"	1299.50

Kit includes: Seat, Seat O-Ring, Cover O-Ring, Retainer Wire and Lubricant O-Ring

ORDERING CODE	KIT NO.	SIZE	LIST PRICE
First Check Rubber Parts Kits			
7016246	ARK 5000CIV RC1	2½" - 3"	67.10
7016247	ARK 5000CIV RC1	4"	88.60
7016248	ARK 5000CIV RC1	6"	100.85
7016249	ARK 5000CIV RC1	8"	121.75
7016250	ARK 5000CIV RC1	10"	165.85

ORDERING CODE	KIT NO.	SIZE	LIST PRICE
Second Check Rubber Parts Kits			
7016251	ARK 5000CIV RC2	2½" - 3"	67.10
7016252	ARK 5000CIV RC2	4"	88.60
7016253	ARK 5000CIV RC2	6"	100.85
7016254	ARK 5000CIV RC2	8"	121.75
7016255	ARK 5000CIV RC2	10"	165.85

Kit includes: Lower Stem O-Ring (6" only), Check Disc, Cover O-Ring and Lubricant

ORDERING CODE	KIT NO.	SIZE	LIST PRICE
Total Rubber Parts Kits			
7016261	ARK 5000CIV RT	2½" - 3"	\$306.70
7016262	ARK 5000CIV RT	4"	405.35
7016263	ARK 5000CIV RT	6"	425.45
7016264	ARK 5000CIV RT	8"	525.00
7016265	ARK 5000CIV RT	10"	613.10

Kit includes: Lower Stem O-Ring (6" only), Check Disc, Cover O-Ring, Sleeve O-Ring, Piston O-Ring, RV Disc Assembly, Diaphragm, Piston Seat and Lubricant

ORDERING CODE	KIT NO.	SIZE	LIST PRICE
Relief Valve Rubber Parts			
7016279	ARK 5000CIV RV	2½" - 3"	172.80
7016280	ARK 5000CIV RV	4" - 10"	228.10

Kit includes: Sleeve O-Ring, Seat O-Ring, Piston O-Ring, Stem O-Ring, RV Disc Assembly, Diaphragm, Piston Seal, Bottom plug O-Ring and Lubricant

ORDERING CODE	KIT NO.	SIZE	LIST PRICE
Relief Valve Total			
7016283	ARK 5000CIV VT	2½" - 3"	335.00
7016284	ARK 5000CIV VT	4" - 10"	625.50

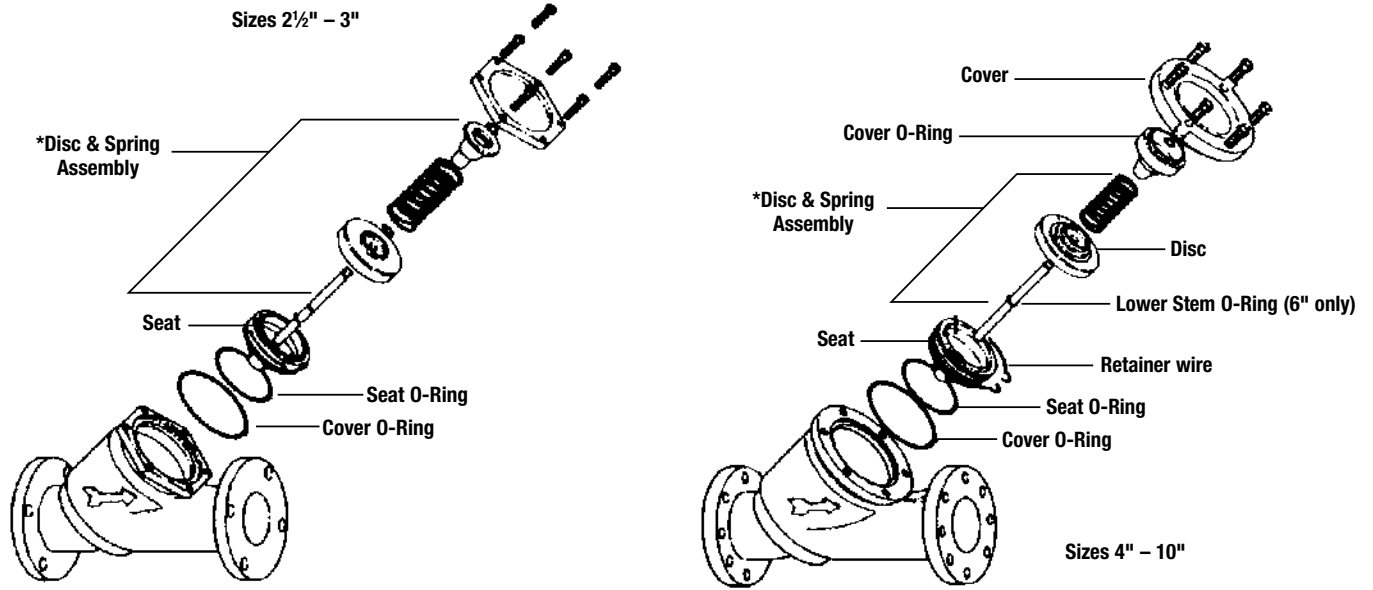
Kit includes: Adapter O-Ring, Diaphragm, Disc & Piston Assembly Seat, Seat O-Ring and Lubricant

ORDERING CODE	KIT NO.	SIZE	LIST PRICE
Cover Kits			
7016287	ARK 5000CIV C	2½" - 3"	227.20
7016288	ARK 5000CIV C	4"	254.50
7016289	ARK 5000CIV C	6"	354.65
7016290	ARK 5000CIV C	8"	580.60
7016291	ARK 5000CIV C	10"	1299.50

Kit includes: Cover, Cover O-Ring and Lubricant

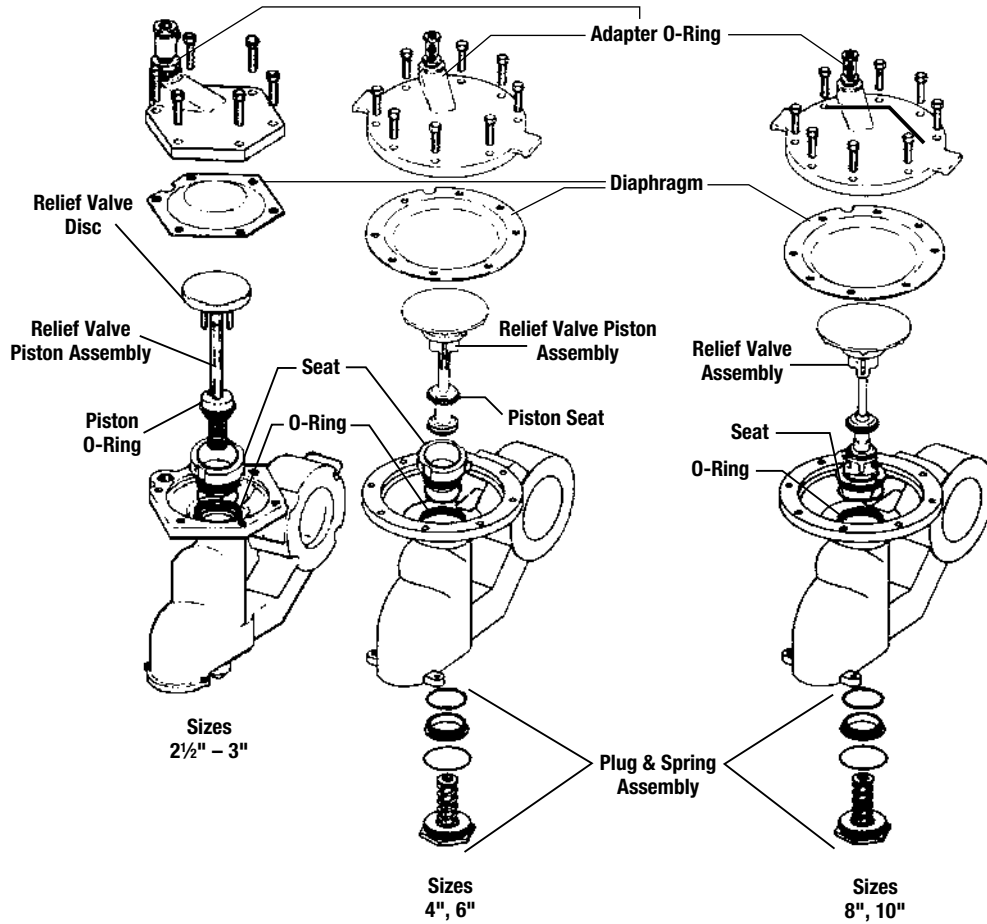
*The wetted surface of this product contacted by consumable water contains less than one quarter of one percent (0.25%) of lead by weight.

Series 5000CIV Reduced Pressure Detector Assembly 2½" – 10" Con't



Bypass Not Shown See page 34

SECTION 3



Series 4000 RP Epoxy Reduced Pressure Zone Assembly 4" – 10"

ORDERING CODE	KIT NO.	SIZE	LIST PRICE
---------------	---------	------	------------

4000RP 1st Check

ORDERING CODE	KIT NO.	SIZE	LIST PRICE
7010161	ARK 4000RP CK1	4"	\$470.95
7010162	ARK 4000RP CK1	6"	680.95
7010163	ARK 4000RP CK1	8" - 10"	1540.95

Kit includes: 1st Check Assembly, Cover Gasket and Mounting Hardware

2nd check

ORDERING CODE	KIT NO.	SIZE	LIST PRICE
7010164	ARK 4000RP CK2	4"	417.95
7010165	ARK 4000RP CK2	6"	437.75
7010166	ARK 4000RP CK2	8" - 10"	687.75

Kit includes: 2nd Check Assembly, Cover Gasket and Mounting Hardware

RV Kit - Total

ORDERING CODE	KIT NO.	SIZE	LIST PRICE
7010173	ARK 4000RP/5000RPDA VT	4" - 10"	2140.00

Kit includes: Complete Relief Assembly, RV Mounting Seat Gasket

RV Kit - Rubber

ORDERING CODE	KIT NO.	SIZE	LIST PRICE
7010174	ARK 4000RP/5000RPDA RV	4" - 10"	200.70

Kit includes: O-ring, Diaphragm, RV Mounting Seat Gasket

*The wetted surface of this product contacted by consumable water contains less than one quarter of one percent (0.25%) of lead by weight.

ORDERING CODE	KIT NO.	SIZE	LIST PRICE
---------------	---------	------	------------

Cover

ORDERING CODE	KIT NO.	SIZE	LIST PRICE
7010142	ARK EPOXY C	4"	\$1121.95
7010143	ARK EPOXY C	6"	468.85
7010144	ARK EPOXY C	8" - 10"	668.60

Kit includes: Cover, Cover Gasket and Vent Screw

Seat

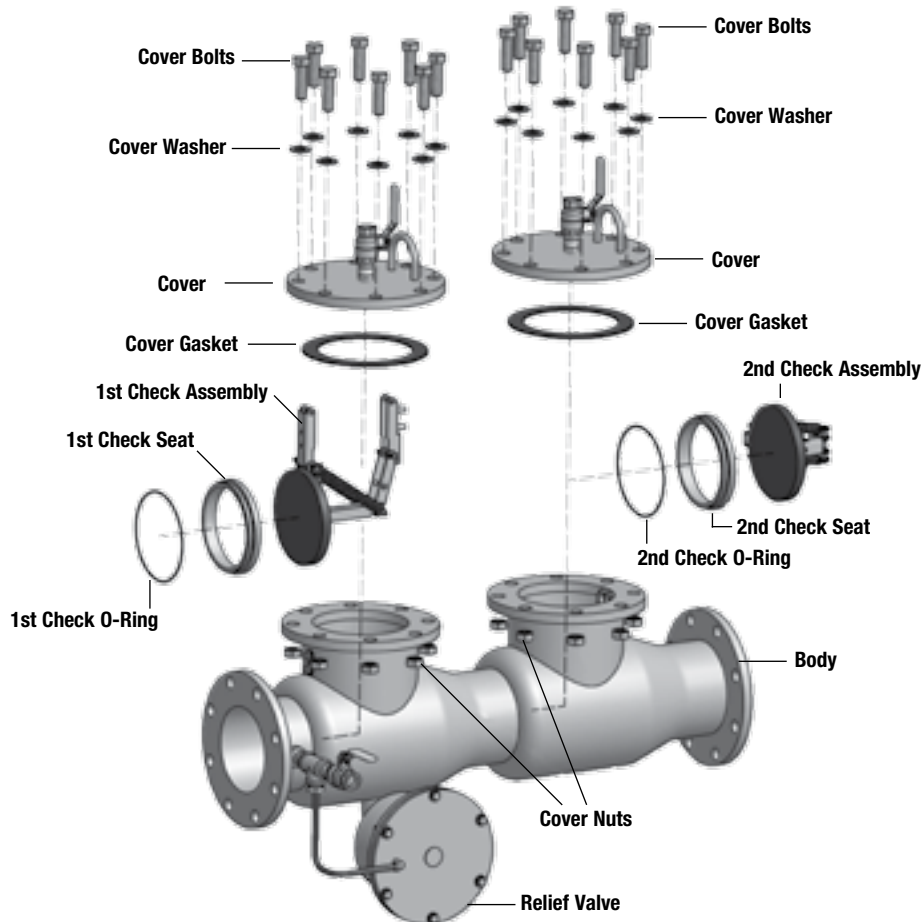
ORDERING CODE	KIT NO.	SIZE	LIST PRICE
7010145	ARK EPOXY S	4"	156.10
7010146	ARK EPOXY S	6"	233.90
7010147	ARK EPOXY S	8" - 10"	340.40

Kit includes: Seat, Seat O-Ring and Cover Gasket

Tools

ORDERING CODE	DESCRIPTION	SIZE	LIST PRICE
7013911	RETAINER CLIP	4"	74.60
7013912	RETAINER CLIP	6"	121.80
7013913	RETAINER CLIP	8" - 10"	94.25
7013941	SEAT INSTALL-REMOVAL TOOL	4"	913.20
7013946	SEAT INSTALL-REMOVAL TOOL	6"	1112.05
7013950	SEAT INSTALL-REMOVAL TOOL	8" - 10"	1097.45
7016090	TONG TOOL		178.20

4" – 10" 4000RP Epoxy



Series 5000 RPDA Epoxy Reduced Pressure Detector Assembly 4" – 10"

ORDERING CODE	KIT NO.	SIZE	LIST PRICE
---------------	---------	------	------------

5000RPDA 1st check

LEAD FREE	ORDERING CODE	KIT NO.	SIZE	LIST PRICE
	7010167	ARK 5000RPDA CK1	4"	\$617.50
	7010168	ARK 5000RPDA CK1	6"	681.00
	7010169	ARK 5000RPDA CK1	8" - 10"	1540.90

Kit includes: 1st Check Assembly, Cover Gasket and Mounting Hardware

2nd Check

LEAD FREE	ORDERING CODE	KIT NO.	SIZE	LIST PRICE
	7010170	ARK 5000RPDA CK2	4"	417.95
	7010171	ARK 5000RPDA CK2	6"	496.45
	7010172	ARK 5000RPDA CK2	8" - 10"	908.10

Kit includes: 2nd Check Assembly, Cover Gasket and Mounting Hardware

RV Kit - Total

LEAD FREE	ORDERING CODE	KIT NO.	SIZE	LIST PRICE
	7010173	ARK 4000RP/5000RPDA VT	4" - 10"	2140.00

Kit includes: Complete Relief Assembly, Mounting Seat Gasket

RV Kit - Rubber

LEAD FREE	ORDERING CODE	KIT NO.	SIZE	LIST PRICE
	7010174	ARK 4000RP/5000RPDA RV	4" - 10"	200.70

Kit includes: O-ring, Diaphragm, Mounting Seat Gasket

ORDERING CODE	KIT NO.	SIZE	LIST PRICE
---------------	---------	------	------------

Cover

LEAD FREE	ORDERING CODE	KIT NO.	SIZE	LIST PRICE
	7010142	ARK EPOXY C	4"	\$1121.95
	7010143	ARK EPOXY C	6"	468.85
	7010144	ARK EPOXY C	8" - 10"	668.60

Kit includes: Cover, Cover Gasket, Cover Bolts, Test Cock and Vent Screw

Seat

7010145	ARK EPOXY S	4"	156.10
7010146	ARK EPOXY S	6"	233.90
7010147	ARK EPOXY S	8" - 10"	340.40

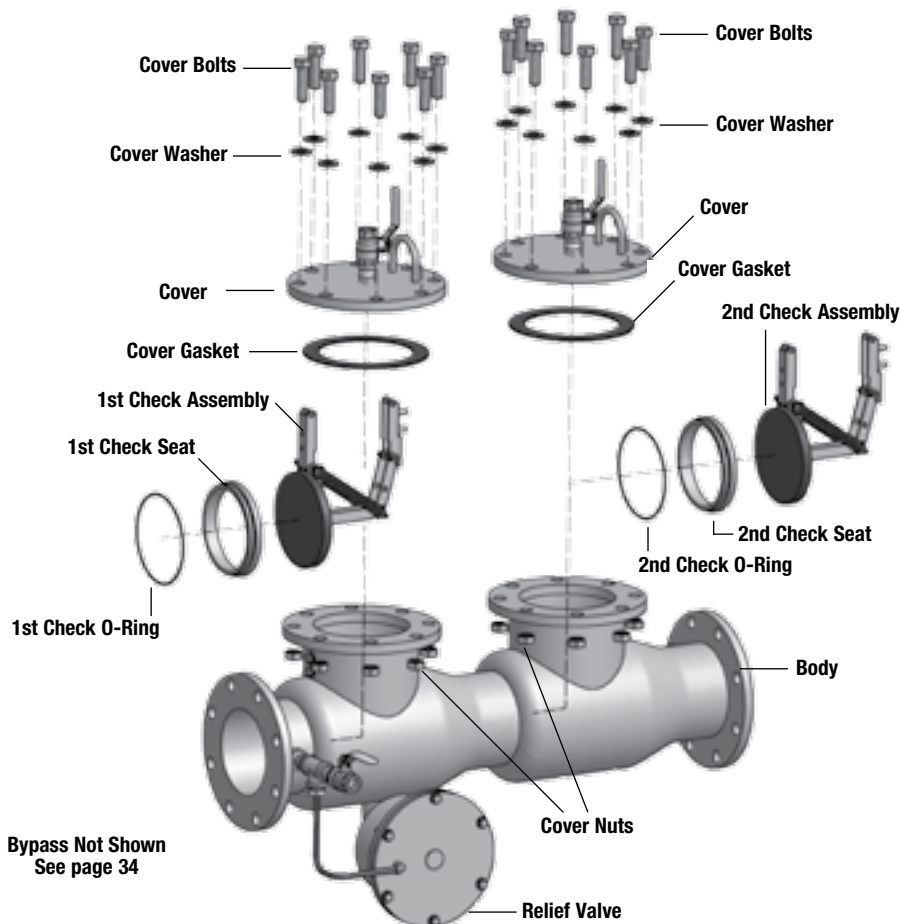
Kit includes: Seat, Seat O-Ring and Cover Gasket

Tools

7013911	RETAINER CLIP	4"	74.60
7013912	RETAINER CLIP	6"	121.80
7013913	RETAINER CLIP	8" - 10"	94.25
7013941	SEAT INSTALL-REMOVAL TOOL	4"	913.20
7013946	SEAT INSTALL-REMOVAL TOOL	6"	1112.05
7013950	SEAT INSTALL-REMOVAL TOOL	8" - 10"	1097.45
7016090	TONG TOOL		178.20

*The wetted surface of this product contacted by consumable water contains less than one quarter of one percent (0.25%) of lead by weight.

4" – 10" 5000 RPDA Epoxy



Series 4000 Relief Valve Reduced Pressure Zone Assembly Epoxy 4" – 10"

ORDERING CODE	KIT NO.	SIZE	LIST PRICE
---------------	---------	------	------------

RV Kit - Total

LEAD FREE	7010173	ARK 4000RP/5000RPDA VT	4" - 10"	\$2140.00
------------------	---------	------------------------	----------	-----------

Kit includes: Complete Relief Assembly, Mounting Seat Gasket

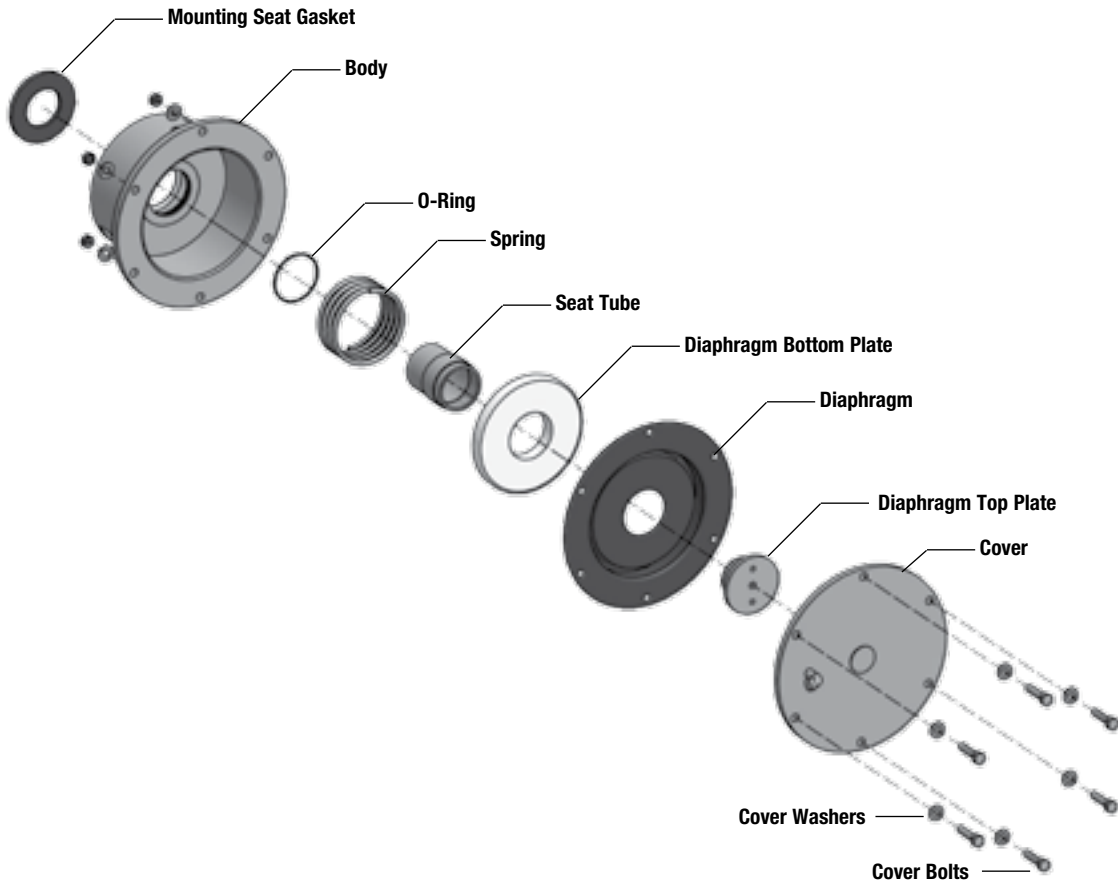
RV Kit - Rubber

LEAD FREE	7010174	ARK 4000RP/5000RPDA RV	4" - 10"	200.70
------------------	---------	------------------------	----------	--------

Kit includes: O-ring, Diaphragm, Mounting Seat Gasket

*The wetted surface of this product contacted by consumable water contains less than one quarter of one percent (0.25%) of lead by weight.

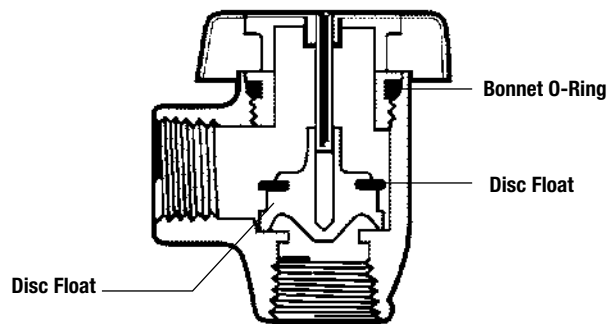
4" – 10" 4000/5000 Relief Valve
(Note: Mounting Bolts not shown)



Series A100 Atmospheric Vacuum Breaker 3/4" – 2"

	ORDERING CODE	KIT NO.	SIZE	LIST PRICE
LEAD FREE	7017527	ARK A100 T	3/4" - 1"	\$25.85
	7017528	ARK A100 T	1"	37.50
	7017529	ARK A100 T	1 1/2"	93.50
	7017530	ARK A100 T	2"	140.90

Kits include: Disc Assembly (Disc and Disc Float) and Bonnet O-Ring



Series A200 Pressure Vacuum Breaker 1/2" – 2"

	ORDERING CODE	KIT NO.	SIZE	LIST PRICE
LEAD FREE	7017531	ARK A200 B	1/2" - 3/4"	\$33.20
	7017532	ARK A200 B	1"	33.90
	7017533	ARK A200 B	1 1/2" - 2"	73.45

Kit includes: Bonnet, Bonnet O-Ring, Vent Spring, Hood and Hood Screws

Check

LEAD FREE	7017534	ARK A200 CK	1/2" - 3/4"	22.55
	7017535	ARK A200 CK	1"	22.55
	7017536	ARK A200 CK	1 1/2" - 2"	40.00

Kit includes: Check Disc Assembly (Disc and Disc Holder), Bonnet O-Ring and Check Spring

Rubber Parts Kit

LEAD FREE	7017537	ARK A200 RT	1/2" - 3/4"	14.80
	7017538	ARK A200 RT	1"	14.80
	7017539	ARK A200 RT	1 1/2" - 2"	21.25

Kit includes: Vent Seal, Check Disc and Bonnet O-Ring

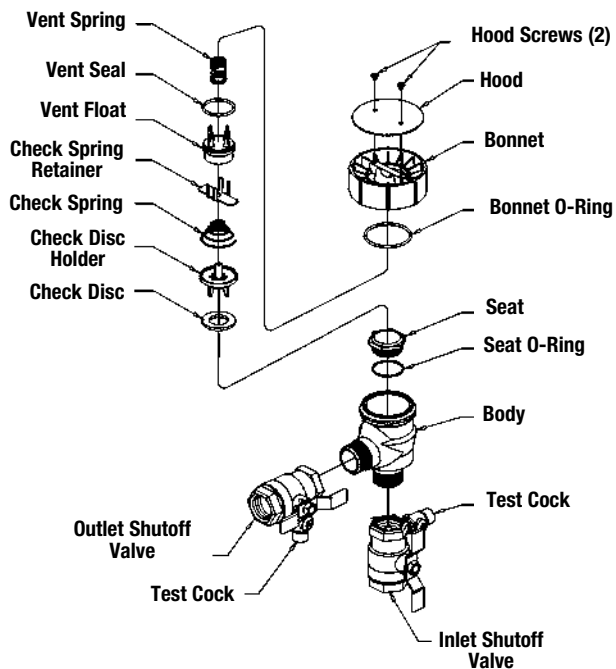
LEAD FREE	7017540	ARK A200 V	1/2" - 3/4"	9.95
	7017541	ARK A200 V	1"	9.95
	7017542	ARK A200 V	1 1/2" - 2"	36.05

Kit includes: Float Vent Disc Assembly (Vent Float, Vent Seal and Spring) and Bonnet O-Ring

Seat

LEAD FREE	7017543	ARK A200 S	1/2" - 3/4"	17.10
	7017544	ARK A200 S	1"	34.30
	7017545	ARK A200 S	1 1/2" - 2"	49.15

Kit includes: Seat, Seat O-Ring and Bonnet O-Ring



IMPORTANT: Inquire with governing authorities for local installation requirements.

*The wetted surface of this product contacted by consumable water contains less than one quarter of one percent (0.25%) of lead by weight.

Series FFF / FPP Irrigation Swing Spring Check Valve 3" – 10"

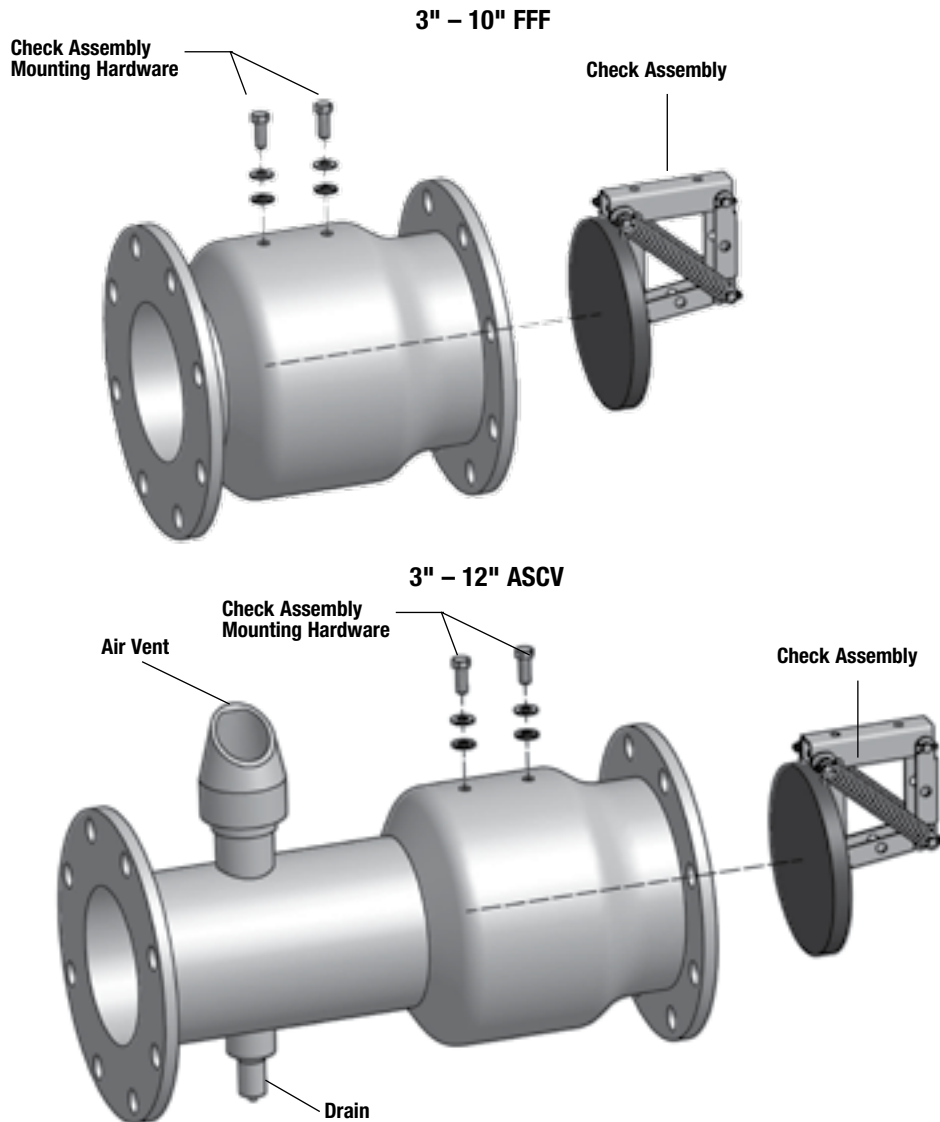
Irrigation Checks FFF/FCC/FPP/ASCV

ORDERING CODE	KIT NO.	SIZE	LIST PRICE
1st Check			
7010175	ARK FFF/FPP/ASCV CK1	3"	\$249.70
7010176	ARK FFF/FPP/ASCV CK1	4"	263.00
7010177	ARK FFF/FPP/ASCV CK1	5"	311.85
7010178	ARK FFF/FPP/ASCV CK1	6"	339.15
7010179	ARK FFF/FPP/ASCV CK1	8"	387.15
7010180	ARK FFF/FPP/ASCV CK1	10" - 12"	509.15
7010181	ARK FFF/FPP/ASCV CK1	14"	1021.00

Kit consists of: Check Assembly and Mounting Hardware

7013711	AIR VENT, 2 BALL TYPE	231.90
7013661	DRAIN, 1 1/2 LOW PRESSURE	28.35

*The wetted surface of this product contacted by consumable water contains less than one quarter of one percent (0.25%) of lead by weight.



Accessories

ORDERING CODE	KIT NO.	PARTS QTY. REQUIRED	LIST PRICE
Air Gap Drains			
0064661	¾" – 1" 400B AG	1	\$59.65
0064662	1¼" – 2" 400B AG	1	121.30
7014267	½", ¾" 4000B	1	50.50
0691853	1", 1¼", 1½" 4000B	1	62.60
0691866	2" 4000B	1	127.35
0690511	2½" – 6" 4000SS (Vertical)	1	682.65
0691842	2½" – 10" 4000SS Plastic	1	162.50
7014384	3" – 6" 4001 / 5001	1	315.40
7011361	4000RP / 5000RPDA (Epoxy)	1	702.80
7017299	4" – 10" 4000CIV / 5000CIV	1	257.35
7018367	Air Gap Assy (Colt & Maxim)	1	168.00
7018894	Air Gap Splash Guard Only (Colt & Maxim)	1	49.85

ORDERING CODE	KIT NO.	PARTS QTY. REQUIRED	LIST PRICE
Test Kit			
0385502	ATG -1	1	2358.95

ORDERING CODE	KIT NO.	PARTS QTY. REQUIRED	LIST PRICE
Meters			
7011171	⅝ X ¾ – Cubic Feet	1	243.50
7011172	⅝ X ¾ – Gallons Per Minute	1	243.50

ORDERING CODE	KIT NO.	PARTS QTY. REQUIRED	LIST PRICE
Meters for Colt / Maxim N & Z Pattern Valves			
7017978	⅝ X ½ – CFM Badger	1	243.50
7017979	⅝ X ½ – GPM Badger	1	243.50

ORDERING CODE	KIT NO.	PARTS QTY. REQUIRED	LIST PRICE
Remote Outside Meters - Badger			
7018895	ROM DC/RP CFM-B	1	665.05
7018896	ROM DC/RP GPM-B	1	665.05

ROM includes 10' wire.

ORDERING CODE	KIT NO.	SIZE	LIST PRICE
Elbows			
7012798	4000B Elbow	½", ¾"	\$35.55
7012799	4000B Elbow	1", 1¼", 1½"	38.55
7016586	4000B Elbow	2"	74.55

Kit includes: (2) Elbows, Nut, Bolts, Gaskets and Ring Gaskets.

ORDERING CODE	KIT NO.	SIZE	LIST PRICE
Elbow Kits for N & Z Pattern C200 & C300 Valves and Elbow Kits for N & Z Pattern M200 & M300 Valves			
7018538	Kit 2.5 Std. Elbow	2½"	391.75
7018539	Kit 3 Std. Elbow	3"	414.40
7018540	Kit 4 Std. Elbow	4"	467.35
7018541	Kit 6 Std. Elbow	6"	746.10
7018542	Kit 8 Std. Elbow	8"	1160.90
7018543	Kit 10 Std. Elbow	10"***	2847.05

**Kits not available for Butterfly valve units.

Kit includes: (2) GRV x GRV Elbows and (2) Groove Couplers

ORDERING CODE	KIT NO.	SIZE	LIST PRICE
Elbow Kits for N & Z Pattern C400 & C500 Valves			
7018544	Kit 2.5 Ported Elbow	2½"	645.00
7018545	Kit 3 Ported Elbow	3"	743.20
7018546	Kit 4 Ported Elbow	4"	745.20
7018547	Kit 6 Ported Elbow	6"	1154.05
7018548	Kit 8 Ported Elbow	8"***	1172.65
7018549	Kit 10 Ported Elbow	10"***	2859.20

**Kits not available for Butterfly valve units.

ORDERING CODE	KIT NO.	HEIGHT ADJ.	LIST PRICE
Valve Stands			
0693112	ARK EZ STD	10" – 14"	\$118.45

ORDERING CODE	KIT NO.	SIZE	LIST PRICE
Test Cocks – All Bronze			
7017248	SAE-TC / Ames	⅛"	\$24.85
7017249	RK SAE-TC / Ames	⅛"	12.60
7017250	TC / Ames	⅛"	25.45
7017251	TC / Ames	¼"	25.45
7017627	SAE-TC Adapter / Ames	¼"	26.65
7018394	½" TC for Colt/Maxim	½"	49.05
7018395	¾" TC for Colt/Maxim	¾"	61.20

ORDERING CODE	KIT NO.	SIZE	LIST PRICE
In-Building Riser Gaskets			
7014421	In-Building Gasket - CIPS	4"	11.45
7014422	In-Building Gasket - CIPS	6"	25.35
7014423	In-Building Gasket - CIPS	8"	29.35
7014424	In-Building Gasket - CIPS	10"	37.65

ORDERING CODE	KIT NO.	SIZE	LIST PRICE
Replacement "T" Handle Ball Valves for Series 2000B, 4000B & A200			
7017417	FBV-TH-AMES	½"	27.35
7017418	FBV-TH-AMES	¾"	44.05
7017419	FBV-TH-AMES	1"	69.15
7017583	FBV-AMES	1¼"	102.85
7017584	FBV-AMES	1½"	131.55
7017585	FBV-AMES	2"	230.20
7017420	FBV-TC-TH-AMES	½"	30.75
7017421	FBV-TC-TH-AMES	¾"	47.85
7017422	FBV-TC-TH-AMES	1"	74.60
7017586	FBV-TC-AMES	1¼"	110.50
7017587	FBV-TC-AMES	1½"	141.75
7017588	FBV-TC-AMES	2"	247.50

ORDERING CODE	KIT NO.	SIZE	LIST PRICE
Handle Kits			
7017595	HK FBV-TH-F-AMES	½" - ¾"	9.05
7017596	HK FBV-TH-F-AMES	1"	9.05
7017597	HK FBV-F-AMES	1¼"	19.00
7017598	HK FBV-F-AMES	1½"	19.00
7017599	HK FBV-F-AMES	2"	19.00
7017600	HK FBV-E-F-AMES	1¼"	19.00
7017606	HK FBV-E-F-AMES	1½"	19.00
7017607	HK FBV-E-F-AMES	2"	19.00

ORDERING CODE	KIT NO.	SIZE	LIST PRICE
Stainless Steel Handle Kits			
7017608	HK FBV-SS-TH-F-AMES	½" - ¾"	11.10
7017609	HK FBV-SS-TH-F-AMES	1"	11.10
7017610	HK FBV-SS-F-AMES	1¼"	23.85
7017611	HK FBV-SS-F-AMES	1½"	23.85
7017612	HK FBV-SS-F-AMES	2"	23.85
7017613	HK FBV-SS-E-F-AMES	1¼"	23.85
7017614	HK FBV-SS-E-F-AMES	1½"	23.85
7017615	HK FBV-SS-E-F-AMES	2"	23.85

ORDERING CODE	KIT NO.	SIZE	LIST PRICE
Locking Handle Kits			
7017618	HK FBV-LH-TH-F-AMES	½" - ¾"	9.60
7017619	HK FBV-LH-TH-F-AMES	1"	9.60
7017620	HK FBV-LH-F-AMES	1¼"	17.00
7017621	HK FBV-LH-F-AMES	1½"	17.00
7017622	HK FBV-LH-F-AMES	2"	17.00
7017623	HK FBV-LH-E-F-AMES	1¼"	17.00
7017624	HK FBV-LH-E-F-AMES	1½"	17.00
7017625	HK FBV-LH-E-F-AMES	2"	17.00

Kit Includes: Locking Handle and Latch.

*The wetted surface of this product contacted by consumable water contains less than one quarter of one percent (0.25%) of lead by weight.

Accessories

ORDERING CODE	KIT NO.	SIZE	LIST PRICE
Replacement Gate Valves			
7018670	Gate Valve OSY GRV x GRV	2½"	\$709.45
7018671	Gate Valve OSY GRV x GRV	3"	780.70
7018672	Gate Valve OSY GRV x GRV	4"	947.00
7018673	Gate Valve OSY GRV x GRV	6"	1508.70
7018674	Gate Valve OSY GRV x GRV	8"	2551.75
7018675	Gate Valve OSY GRV x GRV	10"	4044.25
7018676	Gate Valve NRS GRV x GRV	2½"	545.50
7018677	Gate Valve NRS GRV x GRV	3"	577.20
7018678	Gate Valve NRS GRV x GRV	4"	737.65
7018679	Gate Valve NRS GRV x GRV	6"	1170.55
7018680	Gate Valve NRS GRV x GRV	8"	1860.10
7018681	Gate Valve NRS GRV x GRV	10"	2596.55
7018688	Gate Valve PIV GRV x GRV	3"	997.00
7018689	Gate Valve PIV GRV x GRV	4"	997.00
7018690	Gate Valve PIV GRV x GRV	6"	1553.45
7018691	Gate Valve PIV GRV x GRV	8"	4295.70
7018692	Gate Valve PIV GRV x GRV	10"	6914.55
7014773	Gate Valve OSY FLG x FLG	2½"	709.45
7014774	Gate Valve OSY FLG x FLG	3"	780.70
7014777	Gate Valve OSY FLG x FLG	4"	928.90
7014778	Gate Valve OSY FLG x FLG	6"	1479.95
7014779	Gate Valve OSY FLG x FLG	8"	2503.25
7014780	Gate Valve OSY FLG x FLG	10"	3967.20
7014775	Gate Valve NRS FLG x FLG	2½"	545.50
7014776	Gate Valve NRS FLG x FLG	3"	566.25
A000704	Gate Valve NRS FLG x FLG	4"	737.65
A000705	Gate Valve NRS FLG x FLG	6"	1170.55
A000706	Gate Valve NRS FLG x FLG	8"	1860.10
A000707	Gate Valve NRS FLG x FLG	10"	2596.55
7018792	Gate Valve PIV FLG x FLG	3"	997.00
7018793	Gate Valve PIV FLG x FLG	4"	997.00
7018794	Gate Valve PIV FLG x FLG	6"	1553.45
7018795	Gate Valve PIV FLG x FLG	8"	4295.70
7018772	Gate Valve PIV FLG x FLG	10"	6914.55
7017999	Gate Valve OSY FLG x GRV	2½"	709.45
7018000	Gate Valve OSY FLG x GRV	3"	780.70
7018001	Gate Valve OSY FLG x GRV	4"	947.00
7018002	Gate Valve OSY FLG x GRV	6"	1508.70
7018003	Gate Valve OSY FLG x GRV	8"	2551.75
7018687	Gate Valve OSY FLG x GRV	10"	3967.20

ORDERING CODE	KIT NO.	SIZE	LIST PRICE
Replacement Gate Valves (cont.)			
7018004	Gate Valve NRS FLG x GRV	2½"	\$545.50
7018005	Gate Valve NRS FLG x GRV	3"	577.20
7018006	Gate Valve NRS FLG x GRV	4"	737.65
7018007	Gate Valve NRS FLG x GRV	6"	1170.55
7018008	Gate Valve NRS FLG x GRV	8"	1860.10
consult factory	Gate Valve NRS FLG x GRV	10"	N/A
7018768	Gate Valve PIV FLG x GRV	3"	997.00
7018769	Gate Valve PIV FLG x GRV	4"	997.00
7018770	Gate Valve PIV FLG x GRV	6"	1553.45
7018771	Gate Valve PIV FLG x GRV	8"	4295.70
7012920	Gate Valve Pack NRS FLG x FLG	2½"	1133.55
7012921	Gate Valve Pack NRS FLG x FLG	3"	1190.25
7012922	Gate Valve Pack NRS FLG x FLG	4"	1311.10
7012926	Gate Valve Pack NRS FLG x FLG	6"	1766.50
7012929	Gate Valve Pack NRS FLG x FLG	8"	2928.40
7012908	Gate Valve Pack OSY FLG x FLG	2½"	1204.65
7012909	Gate Valve Pack OSY FLG x FLG	3"	1350.95
7012910	Gate Valve Pack OSY FLG x FLG	4"	1485.15
7012927	Gate Valve Pack OSY FLG x FLG	6"	2116.55
7012928	Gate Valve Pack OSY FLG x FLG	8"	3243.35
Pack includes: 2 tapped gate valves, 1 test cock and nipple, flange gasket and bolts			
7018783	Gate Valve Pack OSY/PIV FLG x FLG	3"	1838.50
7018784	Gate Valve Pack OSY/PIV FLG x FLG	4"	1944.40
7018785	Gate Valve Pack OSY/PIV FLG x FLG	6"	2814.55
7018786	Gate Valve Pack OSY/PIV FLG x FLG	8"	6281.75
7018787	Gate Valve Pack OSY/PIV FLG x FLG	10"	10037.60
Pack includes: 1 flanged OSY, 1 flanged PIV, 1 test cock and nipple, flange gasket and bolts			
7014570	Handwheel OSY	2½"	126.00
7014572	Handwheel OSY	3" & 4"	575.80
7014573	Handwheel OSY	6"	774.00
7014574	Handwheel OSY	8"	777.55
7014575	Handwheel OSY	10" & 12"	1211.35
7014571	Handwheel NRS	2½"	126.00
7014576	Handwheel NRS	3" & 4"	575.80
7014577	Handwheel NRS	6"	774.00
Replacement Butterfly Valves (Grooved)			
7018065	Butterfly Valve, 2.5 GRV Gear	2½"	701.45
7018066	Butterfly Valve, 3 GRV Gear	3"	771.80
7018067	Butterfly Valve, 4 GRV Gear	4"	935.35
7018068	Butterfly Valve, 6 GRV Gear	6"	1490.95
7018069	Butterfly Valve, 8 GRV Gear	8"	2521.30
7018154	Butterfly Valve, 10 GRV Gear	10"	6799.40

Accessories

SIZE	MODEL	LESS METER ORDERING CODE	LIST PRICE	CUBIC FEET ORDERING CODE	LIST PRICE	GALLONS PER MINUTE ORDERING CODE	LIST PRICE
Bypass Assemblies							
4"	1000DCV EPOXY	7016892	\$395.45	7015274	\$626.70	7011188	\$ 614.80
6"	1000DCV EPOXY	7016893	474.00	7015275	706.90	7011189	693.45
8"	1000DCV EPOXY	7016894	614.95	7015276	850.45	7011190	834.30
10"	1000DCV EPOXY	7016960	644.80	7015277	868.35	7011191	868.35
4"	1000SS	7016496	403.50	7015547	449.80	7015573	449.80
6"	1000SS	7016497	477.50	7015548	511.65	7015582	501.85
8"	1000SS	7016894	614.95	7015276	850.45	7011190	834.30
10"	1000SS	7016500	528.15	7016498	657.35	7016499	657.35
2"	3000B	N/A	N/A	7018664	1299.40	7018665	1299.40
2½" – 4"	3000SS	7016191	755.30	7015539	1072.15	7015554	1051.70
6"	3000SS	7016192	926.60	7015540	1161.65	7015555	1139.55
8"	3000SS	7016194	791.00	7015542	1161.65	7015557	1161.65
10" & 12"	3000SS	7016193	794.20	7015541	1206.25	7015556	1206.25
2½"	3000SE	7016195	754.55	7015543	990.55	7015558	990.55
6"	3000SE	7016198	758.30	7015546	1116.95	7015568	1116.95
8"	3000SE	7016192	926.60	7015540	1161.65	7015555	1139.55
3" & 4"	3001SS	7016632	755.05	7016630	974.40	7016631	974.40
6" & 8"	3001SS	7016674	1025.05	7016672	1244.35	7016673	1268.50
3"	3000CIV	N/A	N/A	7016388	1008.65	7016387	1028.25
4"	3000CIV	N/A	N/A	7016390	1019.25	7016389	1019.25
6"	3000CIV	N/A	N/A	7016392	1082.30	7016391	1082.30
8"	3000CIV	N/A	N/A	7016394	1104.10	7016393	1104.10
10"	3000CIV	N/A	N/A	7016396	1146.60	7016395	1146.60
2½" – 4"	5000SS	7016196	896.70	7015544	1221.35	7015562	1221.35
6"	5000SS	7016197	886.90	7015545	1263.40	7015563	1263.40
3" & 4"	5001SS	7016677	832.55	7016675	1051.90	7016676	1051.90
6"	5001SS	7016680	1093.75	7016678	1313.10	7016679	1313.10
3"	5000CIV	N/A	N/A	7016400	1244.70	7016405	1244.70
4"	5000CIV	N/A	N/A	7016401	1255.40	7016406	1255.40
6"	5000CIV	N/A	N/A	7016402	1298.85	7016407	1298.85
8"	5000CIV	N/A	N/A	7016403	1316.55	7016408	1316.55
10"	5000CIV	N/A	N/A	7016404	1385.00	7016409	1385.00
4"	5000 RPDA	7016165	1906.80	7015278	2130.35	7011278	2130.35
6"	5000 RPDA	7016166	1936.90	7015279	2160.50	7011279	2160.50
8"	5000 RPDA	7016167	2004.00	7015280	2227.55	7011280	2227.55
10"	5000 RPDA	7016168	2006.00	7015281	2229.60	7011281	2229.60

Bypass Assemblies include: Bypass line, meter, backflow preventer, all associated piping and connections.

Accessories

MODEL LESS METER	ORDERING CODE	LIST PRICE	MODEL CUBIC FEET	ORDERING CODE	LIST PRICE	MODEL GALLONS PER MINUTE	ORDERING CODE	LIST PRICE
Hard Piped Bypass Assemblies (use on all straight pattern Colt and Maxim valves)								
MF34 DCDA LM HARD	7018584	\$829.10	MF34 DCDA CFM HARD	7018583	\$825.35	MF34 DCDA GPM HARD	7018582	\$825.35
MF46 DCDA LM HARD	7018587	897.35	MF46 DCDA CFM HARD	7018586	962.95	MF46 DCDA GPM HARD	7018585	962.95
MF68 DCDA LM HARD	7018590	882.75	MF68 DCDA CFM HARD	7018589	1870.85	MF68 DCDA GPM HARD	7018588	1870.85
MF810 DCDA LM HARD	7018593	953.35	MF810 DCDA CFM HARD	7018592	1870.85	MF810 DCDA GPM HARD	7018591	1870.85
MF34 RPDA LM HARD	7018596	1532.05	MF34 RPDA CFM HARD	7018595	1458.25	MF34 RPDA GPM HARD	7018594	1458.25
MF46 RPDA LM HARD	7018599	1571.30	MF46 RPDA CFM HARD	7018598	1531.55	MF46 RPDA GPM HARD	7018597	1531.55
MF68 RPDA LM HARD	7018602	1593.35	MF68 RPDA CFM HARD	7018601	1629.60	MF68 RPDA GPM HARD	7018600	1629.60
MF810 RPDA LM HARD	7018605	1616.15	MF810 RPDA CFM HARD	7018604	1677.55	MF810 RPDA GPM HARD	7018603	1677.55
Hard Piped Bypass Assemblies (use on all N-pattern Colt and Maxim Valves)								
BYP, M/C 2.5-3 300N LM	7018821	1147.20	BYP, M/C 2.5-3 300N CFM	7018797	1370.65	BYP, M/C 2.5-3 300N GPM	7018798	1370.65
BYP, M/C 2.5-3 500N LM	7018822	1437.10	BYP, M/C 2.5-3 500N CFM	7018799	1660.65	BYP, M/C 2.5-3 500N GPM	7018800	1660.65
BYP, M/C 4 300N LM	7018824	1177.00	BYP, M/C 4 300N CFM	7018803	1397.15	BYP, M/C 4 300N GPM	7018804	1397.15
BYP, M/C 4 500N LM	7018825	1463.55	BYP, M/C 4 500N CFM	7018805	1687.20	BYP, M/C 4 500N GPM	7018806	1687.20
BYP, M/C 6-8 300N LM	7018829	1258.70	BYP, M/C 6-8 300N CFM	7018813	1482.10	BYP, M/C 6-8 300N GPM	7018814	1482.10
BYP, M/C 6 500N LM	7018827	1510.60	BYP, M/C 6 500N CFM	7018809	1734.10	BYP, M/C 6 500N GPM	7018810	1734.10
BYP, M/C 8-10 300N LM	7018830	1302.20	BYP, M/C 8-10 300N CFM OSY	7018815	1525.65	BYP, M/C 8-10 300N GPM OSY	7018816	1525.65
BYP, M/C 8-10 500N LM	7018831	1568.65	BYP, M/C 8-10 500N CFM	7018817	1792.20	BYP, M/C 8-10 500N GPM	7018818	1792.20
Hard Piped Bypass Assemblies (use on all Z-pattern Colt and Maxim Valves)								
BYP, M/C 2.5-3 500Z LM	7018823	1487.35	BYP, M/C 2.5-3 500Z CFM	7018801	1710.75	BYP, M/C 2.5-3 500Z GPM	7018802	1710.75
BYP, M/C 4 500Z LM	7018826	1510.60	BYP, M/C 4 500Z CFM	7018807	1734.10	BYP, M/C 4 500Z GPM	7018808	1734.10
BYP, M/C 6 500Z LM	7018828	1557.45	BYP, M/C 6 500Z CFM	7018811	1781.00	BYP, M/C 6 500Z GPM	7018812	1781.00
BYP, M/C 8-10 500Z LM	7018832	1618.90	BYP, M/C 8-10 500Z CFM	7018819	1842.40	BYP, M/C 8-10 500Z GPM	7018820	1842.40

Hard Piped Bypass Sizing Chart for Colt/Maxim		
	Colt	Maxim
MF34 =	2½", 3", 4"	2½", 3"
MF46 =	6"	4"
MF68 =	8"	6"
MF810 =	10"	8" - 10"

For additional information, visit our web site at: www.amesfirewater.com



www.amesfirewater.com



A Watts Water Technologies Company

USA: Backflow- Sacramento, CA • Tel. (916) 928-0123 • Fax (916) 928-9333

Control Valves- Houston, TX • Tel. (713) 943-0688 • Fax (713) 944-9445

Canada: Burlington, ONT. • Tel. (905) 332-4090 • Fax (905) 332-7068

PL-A-RP-BD 1122

© 2011 Ames Fire & Waterworks