

Product Dating Code

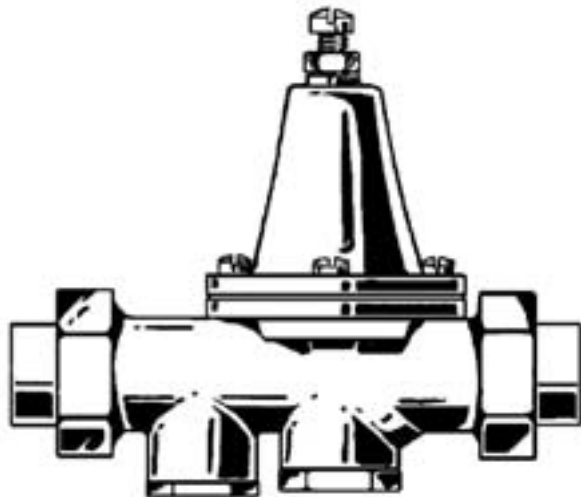
All Watts products are marked with the date of their manufacture and are guaranteed against defects in material and workmanship for one year.

THIS TYPE OF NAMEPLATE IS ATTACHED TO MOST PRODUCTS.



THE DATE CODE (Serial No.) IS STAMPED HERE.
The first two digits indicate the year and the last two digits indicate the week.

EXAMPLE: 0104 indicates the 4th week of 2001



PRODUCTS NOT FURNISHED WITH A NAMEPLATE OR TAG MAY HAVE DATE CODE ON PRODUCT.

Watts 2011 Price List Repair Kits and Service Parts Price List

For all Watts products
except Backflow
Preventers

EFFECTIVE May 31, 2011

Limited Warranty

Limited Warranty: Watts Regulator Co. (the "Company") warrants each product to be free from defects in material and workmanship under normal usage for a period of one year from the date of original shipment. In the event of such defects within the warranty period, the Company will, at its option, replace or recondition the product without charge.

THE WARRANTY SET FORTH HEREIN IS GIVEN EXPRESSLY AND IS THE ONLY WARRANTY GIVEN BY THE COMPANY WITH RESPECT TO THE PRODUCT. THE COMPANY MAKES NO OTHER WARRANTIES, EXPRESS OR IMPLIED. THE COMPANY HEREBY SPECIFICALLY DISCLAIMS ALL OTHER WARRANTIES, EXPRESS OR IMPLIED, INCLUDING BUT NOT LIMITED TO THE IMPLIED WARRANTIES OF MERCHANTABILITY AND FITNESS FOR A PARTICULAR PURPOSE.

The remedy described in the first paragraph of this warranty shall constitute the sole and exclusive remedy for breach of warranty, and the Company shall not be responsible for any incidental, special or consequential damages, including without limitation, lost profits or the cost of repairing or replacing other property which is damaged if this product does not work properly, other costs resulting from labor charges, delays, vandalism, negligence, fouling caused by foreign material, damage from adverse water conditions, chemical, or any other circumstances over which the Company has no control. This warranty shall be invalidated by any abuse, misuse, misapplication, improper installation or improper maintenance or alteration of the product.

Some States do not allow limitations on how long an implied warranty lasts, and some States do not allow the exclusion or limitation of incidental or consequential damages. Therefore the above limitations may not apply to you. This Limited Warranty gives you specific legal rights, and you may have other rights that vary from State to State. You should consult applicable state laws to determine your rights. **SO FAR AS IS CONSISTENT WITH APPLICABLE STATE LAW, ANY IMPLIED WARRANTIES THAT MAY NOT BE DISCLAIMED, INCLUDING THE IMPLIED WARRANTIES OF MERCHANTABILITY AND FITNESS FOR A PARTICULAR PURPOSE, ARE LIMITED IN DURATION TO ONE YEAR FROM THE DATE OF ORIGINAL SHIPMENT.**

Minimum Order Charge

A \$10.00 minimum order charge will apply for an individual parts order.

All prices are temporary and subject to change without notice and supersede all previous prices.

NOTE:

Individual parts are subject to 25% discount. Repair kits are subject to 40% discount.

NOTE:

Repair parts and kits not available for temperature and pressure relief valves or ASME rated pressure-only relief valves.

Table of Contents

1 Pressure Regulators

U5, U5-Z3	2
25AUB, 25AUB-Z3	2
N35B	2
N45B, N45B-EZ, N55B	3
223, N223B	3
N223F	3
23, 123, N250, N256	4
215	4
26A, 263A, SS263AP	4
560, H560	5
IR56	5
P50, P60	5
Union Nuts, Tailpieces & Gaskets/O-rings	6
Replacement Parts	7-8
Jumper Kits	9
127	10
152A, 152AT, 252A, 252AT	11
152SS	12
152SST	12

2 Ball Valves

FBV-3	13
WBV-3	13
FBV-3C	14
FBVS-3C	14
WBV	15
FBV-1.....	15
FBV	15
Bronze Ball Valve Parts & Kits	16-21
EMVII (ES-350) Replacement Actuators	18
G4000	22

3 Gate, Globe, Check Valves

WGV	23
GV	23
WGV-X	23
405, 406	23
408	24
600, 601	24

4 Strainers

Strainer Screens & Gaskets	25
777SI, S777SI	26

5 Hydronic Heating Products

1156F	27
2000	27
142, 144	28
N50, N89.....	28
FS10, FS20	28

6 Tempering Valves

1170, 1170-M2	29
MMV, MMV-M1	30
USG-B, USG-P	31
70A	31
N170	32

7 Plumbing Specialties

2	33
N36	33
Governor 80	34
A200	34
HB-1	34
FH-M1, FHV, FHB	35
HY42	36

8 Dielectric Unions

3000	36
------------	----

Series U5, U5-Z3

Water Pressure Reducing Valves

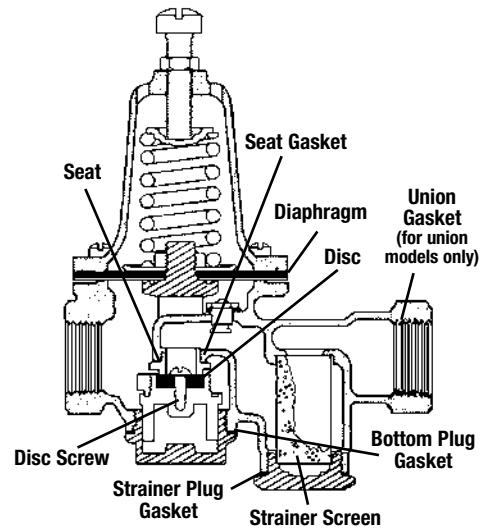
Sizes 1/2" – 2"

Repair Kits

When ordering specify Ordering Code, Kit No., and Valve Size.

ORDERING CODE	KIT NO.	VALVE SERIES	SIZE (in.)	LIST PRICE
0861460	"A"	U5, U5-Z3	1/2"	\$42.85
0861465	"B"	U5, U5-Z3	3/4"	44.10
0861470	"C"	U5, U5-Z3	1"	45.95
0861475	"D"	U5, U5-Z3	1 1/4"	72.65
0861477	"E"	U5, U5-Z3	1 1/2"	97.95
0861480	"F"	U5, U5-Z3	2"	142.50

Kit for U5, U5-Z3 includes all items shown at right



Series 25AUB, 25AUB-Z3

Water Pressure Reducing Valves

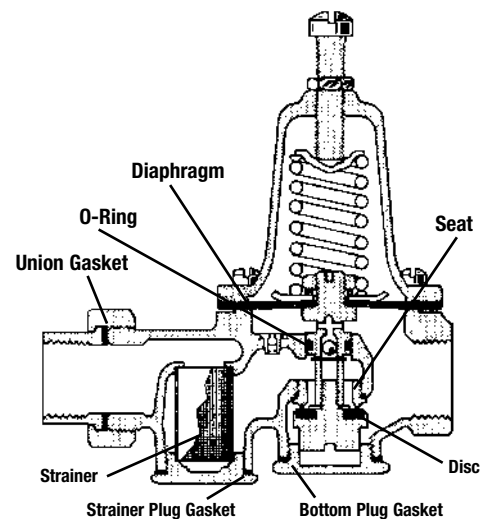
Sizes 1/2" – 2"

Repair Kits

When ordering specify Ordering Code, Kit No., and Valve Size.

ORDERING CODE	KIT NO.	VALVE SERIES	SIZE (in.)	LIST PRICE
0864941	1/2" 25AUB-RK	25AUB, 25AUB-Z3	1/2"	\$52.60
0864943	3/4" 25AUB-RK	25AUB, 25AUB-Z3	3/4"	53.70
0864942	1" 25AUB-RK	25AUB, 25AUB-Z3	1"	54.10
0864944	1 1/4" 25AUB-RK	25AUB, 25AUB-Z3	1 1/4"	62.15
0864945	1 1/2" 25AUB-RK	25AUB, 25AUB-Z3	1 1/2"	63.20
0864946	2" 25AUB-RK	25AUB, 25AUB-Z3	2"	71.40

Kit for 25AUB, 25AUB-Z3 includes all items shown at right



Series N35B

Water Pressure Reducing Valves

Sizes 1/2" – 1"

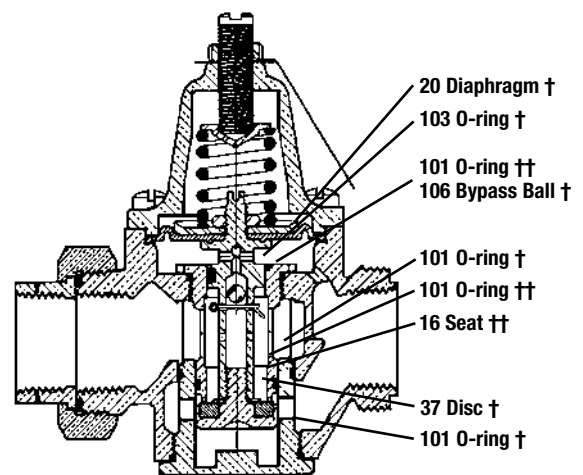
Repair Kits

When ordering specify Ordering Code, Kit No., and Valve Size.

ORDERING CODE	KIT NO.	VALVE SERIES	SIZE (in.)	LIST PRICE
0006849†	N35B-RK	N35B	1/2"-1"	\$19.70
0006804††	N35B-S-RK	N35B	1/2"-1"	17.55

Kit for N35B Rubber Parts Shown at right †

Kit for N35B-S Seat Assembly Shown at right ††



For replacement parts see pp. 6-8

Series N45B, N45B-EZ, N55B

Water Pressure Reducing Valves

Sizes 1/2" – 2"

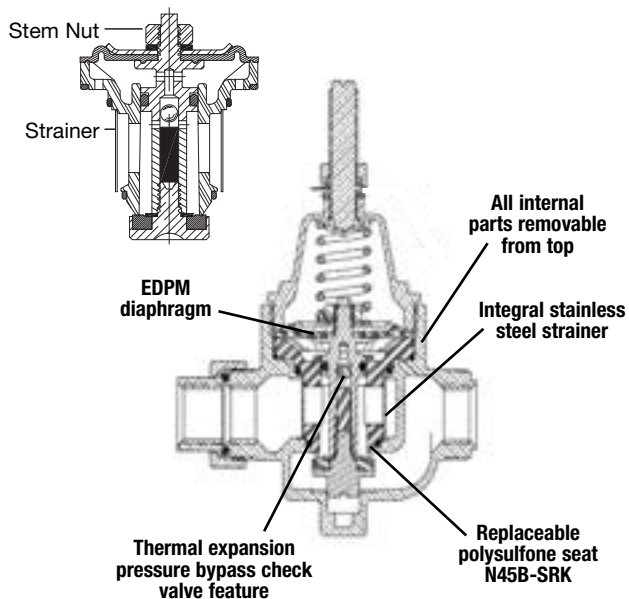
Repair Kits

When ordering specify Ordering Code, Kit No., and Valve Size.

ORDERING CODE	KIT NO.	VALVE SERIES	SIZE (in.)	LIST PRICE
0006959	N45B-SRK	N45B	1/2" – 1"	\$18.35
0006960	N45B/EZ-N55B-M1-RK	N45B/N45B-EZ/N55B	1/2" – 1"	19.70
0006988	N45B/EZ-N55B-M1-RK	N45B/N45B-EZ/N55B	1 1/4" – 2"	45.70

Kit for N45, N45B-EZ, N55 includes Parts shown at right

COMPLETE SEAT/STEM REPLACEMENT MODULE (includes diaphragm)



Series 223, N223B

High Capacity Water Pressure Regulators

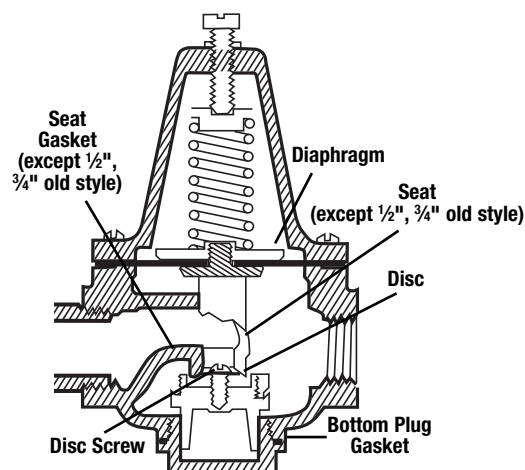
Sizes 1/2" – 3"

Repair Kits

When ordering specify Ordering Code, Kit No., and Valve Size.

ORDERING CODE	KIT NO.	VALVE SERIES	SIZE (in.)	LIST PRICE
0861470	"C"	223	1/2"-3/4"	\$45.95
0861475	"D"	223	1"	72.65
0861477	"E"	223	1 1/4"	97.95
0877494	1 1/2" 223RK	223	1 1/2"	114.75
0877500	2 223RK	223	2"	187.40
0877551	2 1/2" 223RK	223	2 1/2"	189.25
0877552	2 1/2" N223M2-RK	223	2 1/2"	189.25
0877555	2 1/2"-3N223-RK	N223B-M1	2 1/2"-3"	246.30

Kit for 223 includes parts shown at right



Series N223F

Flanged High Capacity Water Pressure Regulators

Size 3"

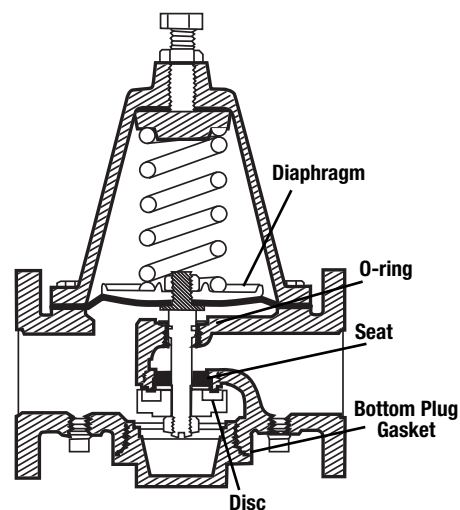
Repair Kits

When ordering specify Ordering Code, Kit No., and Valve Size.

ORDERING CODE	KIT NO.	VALVE SERIES	SIZE (in.)	LIST PRICE
0878307	3N223F-RK	N223F	3"	\$148.35
0878306	N223-RK	N223F-M2	3"	116.05

Kit for N223 includes parts shown at right

Kit for N223F-M1-M2 includes all rubber parts



For replacement parts see pp. 6-8

Series 23, 123, N250, N256

Water Pressure Reducing Valves

Sizes 1/2" - 3/4"

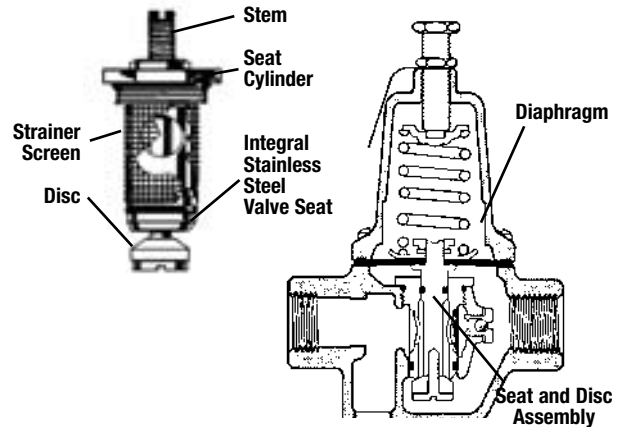
Repair Kits

When ordering specify Ordering Code, Kit No., and Valve Size.

ORDERING CODE	KIT NO.	VALVE SERIES	SIZE (in.)	LIST PRICE
0878337	1/2" N250RK	23, 123, N250	1/2"	\$42.15
0878339	3/4" N250RK	23, 123, N250, N256	3/4"	42.15

Kit for 23, 123, N250, N256, includes all items shown at right.

Complete Replacement Assembly (Includes Diaphragm)



Series 215

Pressure Regulators

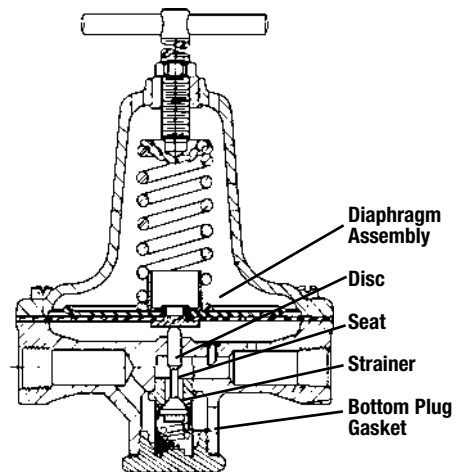
Sizes 1/4" - 3/8"

Repair Kits

When ordering specify Ordering Code, Kit No., and Valve Size.

ORDERING CODE	KIT NO.	VALVE SERIES	SIZE (in.)	LIST PRICE
0877060	215YRK	215	1/4" - 3/8"	\$54.65

Kit for 215 includes parts shown at right



Series 26A, 263A

SS263AP

Small Pressure Regulators

Sizes 1/8" - 1/2"

Repair Kits

When ordering specify Ordering Code, Kit No., and Valve Size.

ORDERING CODE	KIT NO.	VALVE SERIES	SIZE (in.)	LIST PRICE
0864935	SS263P-RK	SS263AP	ALL	\$7.40
0864939	26ARK	26A, 263A	ALL	16.40
0335110	SS263 AP-RK-V	SS263AP	ALL	84.55

Pressure Gauges

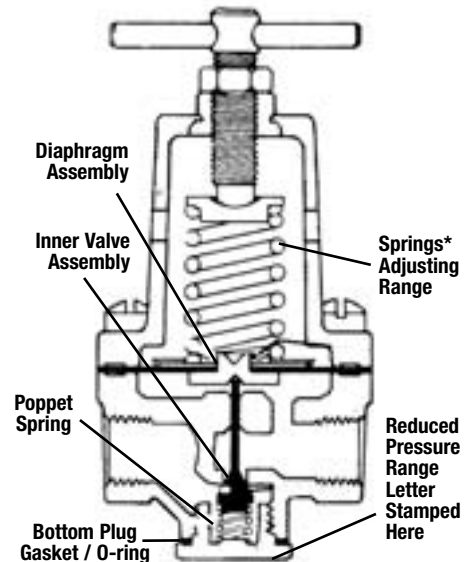
0615702	1/4" DPG3-2	26A, 263A, SS263AP		\$60.95
0615704	1/8" DPG3-2	26A, 263A, SS263AP		60.95

ORDERING CODE	RANGE LETTER	SPRING NO.	SIZE (in.)	LIST PRICE
---------------	--------------	------------	------------	------------

*Adjusting Springs

1052055	"A"	326		\$7.30
1052038	"B"	260		4.60
1052039	"C"	261		5.70
1052040	"D"	262		6.00

Kit for 26A, 263A includes all items shown at right except for adjusting spring



Series 560, H560

Mini Water Pressure Regulators

Sizes 1/8" x 1/4" and 3/4" x 3/4"

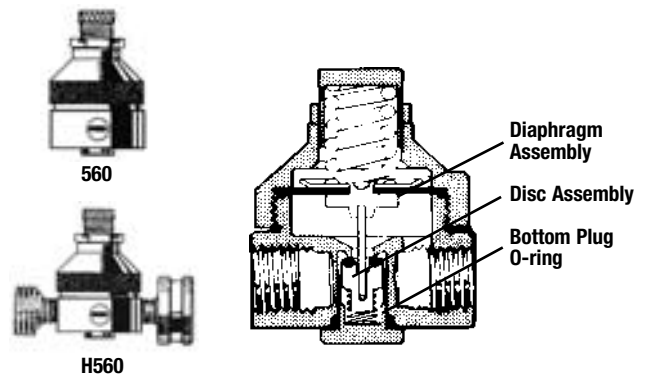
Repair Kits

ORDERING CODE	KIT NO.	VALVE SERIES	SIZE (in.)	LIST PRICE
0355110	H560RK	560, H560	ALL	\$9.10

Pressure Gauge

0615721	1/8" DPG3-1 1/2"	H560	1/8"	\$60.95
---------	------------------	------	------	---------

Kit for 560, H560 includes parts shown at right



Series IR56

Water Pressure Regulators

Size 3/4"

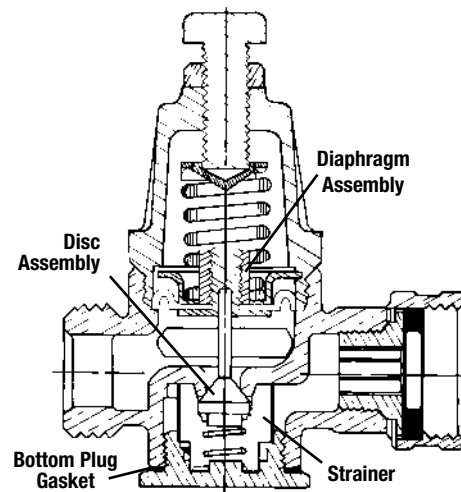
Repair Kits

ORDERING CODE	KIT NO.	VALVE SERIES	SIZE (in.)	LIST PRICE
0868595	T56RK	IR56	ALL	\$24.55

Pressure Gauge

0615721	1/8" DPG3-1 1/2"	IR56	1/8"	\$60.95
---------	------------------	------	------	---------

Kit for IR56 includes parts shown at right



Series P50, P60

Plastic Water Regulators

Size 1/4"

Repair Kits

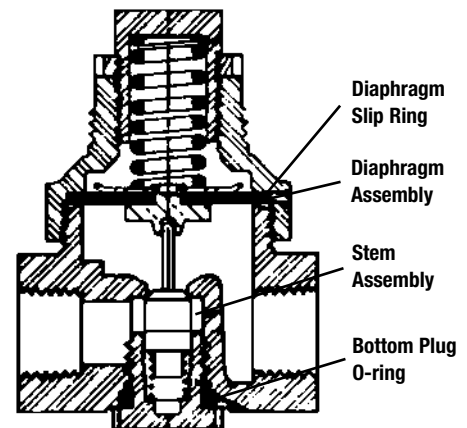
When ordering specify Ordering Code, Kit No., and Valve Size.

ORDERING CODE	KIT NO.	VALVE SERIES	SIZE (in.)	LIST PRICE
0354562	P50-RK	P50	1/4"	\$13.10
0354563	P60-RK	P60	1/4"	14.80

Pressure Gauge

1100004	T56YA100	P50, P60	1/4"	\$20.00
---------	----------	----------	------	---------

Kit for P50, P60 includes parts shown at right



Series U5B-Z3, 25AUB-Z3, N35B, N45B-M1

Union Nuts, Tailpieces, Gasket/O-rings



Union Nut



Union Tailpiece



Gasket / O-rings

Replacement Parts

When ordering specify Ordering Code, Part No., and Valve Size.

SIZE (in.)	SERIES	UNION NUT ORDERING CODE	PART NO.	LIST PRICE	UNION TAILPIECE ORDERING CODE	PART NO.	LIST PRICE	UNION GASKET ORDERING CODE	PART NO.	LIST PRICE
U5B-Z3/25AUB-Z3 SERIES										
1/2"	U5B-Z3/25AUB-Z3	1140004	35A140	\$5.70	1139886	135A139 LL	\$6.20	1101722	488XA101	\$0.40
1/2"	U5BS-Z3/25AUBS-Z3	1140122	35A140-S	4.40	1139329	N45AA139-S	4.20	1101722	488XA101	0.40
3/4"	U5B-Z3/25AUB-Z3	1140006	35B140	10.60	1139887	135B139 LL	9.30	1101192	6010BB101	0.50
3/4"	U5BS-Z3/25AUBS-Z3	1140120	35B140-S	10.40	1139330	N45BA139-S	7.40	1101192	6010BB101	0.50
1"	U5B-Z3/25AUB-Z3	1140015	35C140-1	14.30	1139889	135C139 LL	16.10	1101930	5CB101	0.40
1"	U5BS-Z3/25AUBS-Z3	1140121	35C140-1-S	14.50	1139331	N45CA139-S	10.10	1101930	5CB101	0.40
1 1/4"	U5B-Z3/25AUB-Z3	1140012	5D140	32.80	1139017	5D139	36.00	1101931	5DB101	0.50
1 1/4"	U5BS-Z3/25AUBS-Z3	1140127	5D140-S	35.70	1139454	6011DB139	14.50	1101931	5DB101	0.50
1 1/2"	U5B-Z3/25AUB-Z3	1140013	5E 140	47.80	1139018	5E 139	54.70	1101932	5EB101	0.50
1 1/2"	U5BS-Z3/25AUBS-Z3	1140128	5E140-S	48.50	1139455	6011EB139	22.60	1101932	5EB101	0.50
2"	U5B-Z3/25AUB-Z3	1140014	5F140	67.80	1139019	5F139	70.90	1101933	909LB101	0.60
2"	U5BS-Z3/25AUBS-Z3	1140129	5F140-S	69.50	1139456	6011FB139	32.60	1101933	909LB101	0.60
N35B SERIES										
1/2"	N35BU	1140004	35A140	5.70	1139886	135A139 LL	6.20	1101915	N35AA101	\$0.20
1/2"	N35BUS	1140122	35A140-S	4.40	1139329	N45AA139-S	4.20	1101915	N35AA101	0.20
3/4"	N35BU	1140006	35B140	10.60	1139887	135B139 LL	9.30	1101517	RP 4AC101	0.20
3/4"	N35BUS	1140120	35B140-S	10.40	1139330	N45BA139-S	7.40	1101517	RP 4AC101	0.20
1"	N35BU	1140015	35C140-1	14.30	1139889	135C139 LL	16.10	1101912	R2CB101	0.20
1"	N35BUS	1140121	35C140-1-S	14.50	1139331	N45CA139-S	10.10	1101912	R2CB101	0.20
N45B-M1, N45B-EZ-M1, N55B-M1 SERIES										
1/2"	N45BU-M1	1140004	35A140	5.70	1139886	135A139 LL	6.20	1101559	KA2AA101	\$0.30
1/2"	N45BUS-M1	1140122	35A140-S	4.40	1139329	N45AA139-S	4.20	1101559	KA2AA101	0.30
1/2"	N45BU-PEX-M1	1140004	35A140	5.70	1139895	25AB139-PEX-LL	3.70	1101559	KA2AA101	0.30
3/4"	N45BU-M1	1140006	35B140	10.60	1139887	135B139 LL	9.30	1101977	123-70EP101	0.30
3/4"	N45BUS-M1	1140120	35B140-S	10.40	1139330	N45BA139-S	7.40	1101977	123-70EP101	0.30
3/4"	N45BU-PEX-M1	1140006	35B140	10.60	1139896	5B139-PEX-LL	6.80	1101977	123-70EP101	0.30
3/4"	N45BU-CPVC-M1	1140006	35B140	10.60	1139912	135BA139-CPVC	4.30	1101517	RP4AC101	0.20
1"	N45BU-M1	1140015	35C140-1	14.30	1139889	135C139 LL	16.10	1101973	127-70EP101	0.40
1"	N45BUS-M1	1140121	35C140-1-S	14.50	1139331	N45CA139-S	10.10	1101973	127-70EP101	0.40
1"	N45BU-PEX-M1	1140015	35C140-1	14.30	1139897	5C139-PEX-LL	10.00	1101973	127-70EP101	0.40
1"	N45BU-CPVC-M1	1140015	35C140-1	14.30	1139914	135CA139-CPVC	5.40	1101973	127-70EP101	0.40

Series U5, 25AUB, 223

Replacement Parts

When ordering specify Ordering Code, Kit No., and Valve Size.

ORDERING CODE	PART NO.	U5, U5-Z3						25AUB, 25AUB-Z3						223						LIST PRICE	
		1/2"	3/4"	1"	1 1/4"	1 1/2"	2"	1/2"	3/4"	1"	1 1/4"	1 1/2"	2"	1/2"	3/4"	1"	1 1/4"	1 1/2"	2"		2 1/2"
DIAPHRAGM																					
1020001	135A20	•						•	•												\$6.30
1020083	135B20		•							•				•							7.00
1020004	135C20			•							•	•			•						9.80
1020006	135D20				•										•						17.40
1020008	135E20						•														28.00
1020027	5E20					•										•					18.80
1020017	223E20																•				43.10
1020019	223F20																	•	•		49.90
DISCS																					
1037002	25DA37									•	•										\$2.20
1037281	25EA37																				5.20
1037040	50B37							•	•												3.80
1037143	50C37									•											7.00
1037005	135A37	•												•							3.80
1037006	135B37		•	•											•						3.60
1037007	135C37				•										•						4.45
1037008	135D37					•										•					14.85
1037009	135E37																•				8.10
1037104	135F37																	•	•		13.40
SEATS																					
1016008	5A16	•																			\$6.10
1016009	5B16		•	•										•	•						18.20
1016010	5C16				•										•						24.00
1016011	5D16					•										•					19.80
1016012	5E16																•				52.80
1016013	5F16																	•	•		66.50
1016846	50B16-P							•	•												1.20
1016847	50C16-P									•											3.90
1016004	25DA16										•	•									13.40
1016267	25EA16																			•	24.60
STRAINER SCREENS																					
1077002	135A77	•								•											\$8.40
1077004	135B77		•	•																	8.20
1077005	135C77				•																9.00
1077006	135D77					•															10.60
1077007	135E77																		•		9.10
1077333	25DA77										•	•									3.60
1077105	25FA77																			•	5.10
1077022	4500A77							•	•												8.10
ADJUSTMENT SPRINGS (NOT INCLUDED IN REPAIR KITS)																					
1052006	124	•						•	•												\$6.60
1052009	145			•							•	•		•	•						9.10
1052010	146				•										•						14.80
1052670	236-ZC					•										•					12.30
1052035	254		•																		6.30
1052671	297-ZC																		•		34.20
1052672	298-ZC																		•		38.90
1052673	299-ZC																		•	•	60.80
1052067	3																				168.50

ORDERING CODE	PART NO.	SIZE (in.)	PRESSURE RATING	LIST PRICE
Replacement Pressure Gauges - All (GG) Series Regulators				
0615723	1/8" DPG5-2	1/8"	0-160psi	\$60.95
0615682	1/4" DPG5-2	1/4"	0-160psi	60.95

Series U5, 25AUB, 223

For Model "LP" and "BLP" Regulators

Replacement Parts

When ordering specify Ordering Code, Kit No., and Valve Size.

ORDERING CODE	PART PART NO.	U5, U5-Z3						25AUB			223						PRICE
TEFLON® DIAPHRAGM PROTECTOR		1/2"	3/4"	1"	1 1/4"	1 1/2"	2"	1/2"	3/4"	1"	1/2"	3/4"	1"	1 1/4"	1 1/2"	2"	
1020002	135A20T	•						•	•								\$8.60
1020003	135B20T		•						•	•							9.50
1020005	135C20T			•									•				16.80
1020007	135D20T				•								•				20.70
1020084	5E20T					•								•			19.80
1020009	135E20T						•										24.90
1020088	223E20T														•		44.70
1020089	223F20T															•	26.40

ORDERING CODE	PART NO.	U5, U5-Z3						25AUB				223						PRICE			
HIGH PRESSURE SPRING		1/2"	3/4"	1"	1 1/4"	1 1/2"	2"	1/2"	3/4"	1"	1 1/4"	1 1/2"	2"	1/2"	3/4"	1"	1 1/4"	1 1/2"	2"	2 1/2"	
1052070	125							•	•												\$21.80
1052035	254	•																			6.30
1052022	224		•																		14.10
1052007	128			•	•						•	•		•	•	•					30.20
1052016	187					•						•				•					52.30
1052671	297-ZC						•														34.20
1052672	298																•				38.90
1052673	*299-ZC																		•	•	60.80
1052047	296									•									•	•	32.10

ORDERING CODE	BOTTOM SPRING	U5, U5-Z3						25AUB				N35B			223						PRICE			
BOTTOM SPRING		1/2"	3/4"	1"	1 1/4"	1 1/2"	2"	1/2"	3/4"	1"	1 1/4"	1 1/2"	2"	1/2"	3/4"	1"	1/2"	3/4"	1"	1 1/4"	1 1/2"	2"	2 1/2"	
1052058	84**	•																						\$4.80
1052059	85							•	•															4.80
1105010	69		•	•	•					•							•	•	•					4.80
1052011	175					•	•												•	•				9.20
1052070	125*																				•	•		21.80
1052711	710												•											113.20
1052710	709										•	•												13.30
1052230	743													•	•									3.80
1052229	742														•									4.40

ADJUSTABLE SPRINGS FOR HIGH PRESSURE RANGE The Standard reduced pressure range for adjusting springs is 25-75 lbs. However, adjusting springs for a higher pressure range 75-100 lbs. are available as listed.
BOTTOM SPRINGS To convert from standard range to low pressure range (10-35 lbs.), add Bottom Spring as listed.

*Standard Range Adjusting Spring is also used for High Pressure Range with the addition of two No. 296 Springs (Nested).

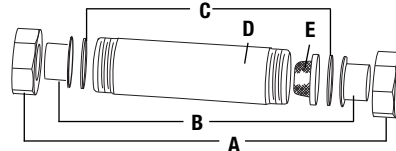
*Use No. 298 Adjusting Spring

** Use No. 111 Adjusting Spring 1052005 - \$4.79

Jumper Kits

Sizes $\frac{3}{4}$ " – 2"

Replacement Parts



Jumper Kit Exploded View

Kits consists of:
 A – Union Nut (2)
 B – Sweat Tailpiece (2)
 C – Fiber Washer (2)
 D – Jumper Nipple
 E – Screen

When ordering specify Ordering Code, Kit No., and Valve Size.

DESCRIPTION	ORDERING CODE $\frac{3}{4}$ "	LIST PRICE	ORDERING CODE 1"	LIST PRICE	ORDERING CODE 1 $\frac{1}{4}$ "	LIST PRICE	ORDERING CODE 1 $\frac{1}{2}$ "	LIST PRICE	ORDERING CODE 2"	LIST PRICE
Jumper Nipple (PVC)	1028168 (25)	\$22.80	1028169 (25)	\$23.00	1028031(25)	\$27.20	1028172 (25)	\$81.50	1028174 (25)	\$120.20
	1028021 (345)	25.40	1028022 (345)	25.20	1028170 (55)	14.30	1028176 (55)	66.60	1028178 (55)	107.80
Jumper Nipple (Brass)	1028166 (25)	20.30	1028167 (25)	27.10	1028163 (25)	91.30	1028171 (25)	71.20	1028173 (25)	92.50
	1028164 (345)	15.60	1028152 (345)	136.40	1028162 (55)	52.70	1028175 (55)	61.30	1028177 (55)	76.30
Fiber Washer	1103036	1.60	1203003	3.30	1203005	5.20	1203006	4.30	1203007	9.40
Screen	1077023	30.50	1077043	6.00	1077914	33.50	1077931	33.70	1077932	35.30
Sweat Tailpiece	1139015	9.70	1139016	20.70	1139095	33.90	1139455	22.60	1139456	32.60
Male Sweat Tailpiece	1139850	35.20	1139851	32.00	N/A	-	-	-	-	-
Union Nut	1140006	10.60	1140015	14.30	1140012	32.80	1140128	48.50	1140129	69.50

O-Ring (Order Separately)

N45B/N55B	1101977	0.30	1101973	0.40	1101348	0.50	1101932	0.50	1101933	0.60
25AUB-DU-LF-Z3	1101192	0.50	1101930	0.40	1101348	0.50	1101932	0.50	1101933	0.60

Complete Kits

With Plastic Nipple

MODEL	ORDERING CODE	SIZE (in.)	LIST PRICE
Female x Female Copper Sweat Tailpiece			
JK-P-25 S	0006300	$\frac{3}{4}$ "	\$28.40
JK-P-345 S	0006940	$\frac{3}{4}$ "	20.05
JK-P-25 S	0006303	1"	32.10
JK-P-345 S	0006941	1"	23.75
JK-P-25 S	0006944	1 $\frac{1}{4}$ "	48.55
JK-P-55 S	0007721	1 $\frac{1}{4}$ "	51.70
JK-P-25 S	0007732	1 $\frac{1}{2}$ "	60.90
JK-P-55 S	0007734	1 $\frac{1}{2}$ "	60.90
JK-P-25 S	0007736	2"	70.05
JK-P-55 S	0007738	2"	70.05

Female Copper Sweat x Male Brass Sweat Tailpiece

JK-P-345-FM S	0006942	$\frac{3}{4}$ "	\$23.35
JK-P-345-FM S	0006943	1"	26.25

Male x Male Brass Sweat Tailpiece

JK-P-345-MM S	0006985	1"	\$17.65
---------------	---------	----	---------

With Brass Nipple

Female x Female Copper Sweat Tailpiece

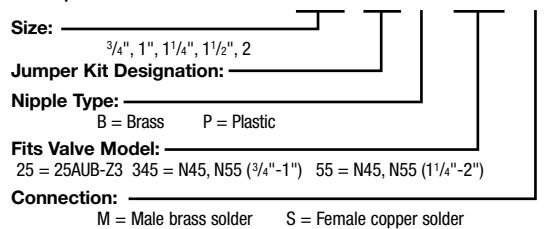
JK-B-25 S	0006302	$\frac{3}{4}$ "	\$54.15
JK-B-345 S	0006996	$\frac{3}{4}$ "	54.15
JK-B-25 S	0006304	1"	54.70
JK-B-345 S	0006997	1"	54.70
JK-B-25 S	0006939	1 $\frac{1}{4}$ "	56.70
JK-B-55 S	0007722	1 $\frac{1}{4}$ "	56.70
JK-B-25 S	0007731	1 $\frac{1}{2}$ "	60.90
JK-B-55 S	0007733	1 $\frac{1}{2}$ "	60.90
JK-B-25 S	0007735	2"	70.05
JK-B-55 S	0007737	2"	70.05



Jumper Kit

HOW TO ORDER JUMPER KITS

Example: $\frac{3}{4}$ " JK P-345 S



Jumper Kits Include: Jumper Nipple, strainer screen, 2 fiber washers, 2 union nuts and tailpieces as described above. Jumper Kits are the correct lay length for the water pressure reducing Valves as listed below. When removing Jumper Nipple and inserting the water pressure reducing valve, two O-rings (ordered separately) are required.

Series 127

Steam/Water Pressure Regulators

Sizes 1/2" – 4"

Repair Kits

When ordering specify Ordering Code, Kit No., and Valve Size.

ORDERING CODE	PART NO.	ITEM	SIZE (in.)	LIST PRICE
Complete Disc Assemblies				
0889210	127B37SRK	Disc Assembly (127 SS)	1/2", 3/4"	\$188.30
0889211	127C37SRK	Disc Assembly (127 SS)	1", 1 1/4"	217.25
0889212	127E37SRK	Disc Assembly (127 SS)	1 1/2"	250.75
0889213	127F37SRK	Disc Assembly (127 SS)	2"	306.75
0889214	127G37SRK	Disc Assembly (127 SS)	2 1/2"	355.50
0889215	127H37SRK	Disc Assembly (127 SS)	3", 4"	366.70
0889220	127H37RRK	Disc Assembly (127 W)	3", 4"	424.95

Includes all items marked*

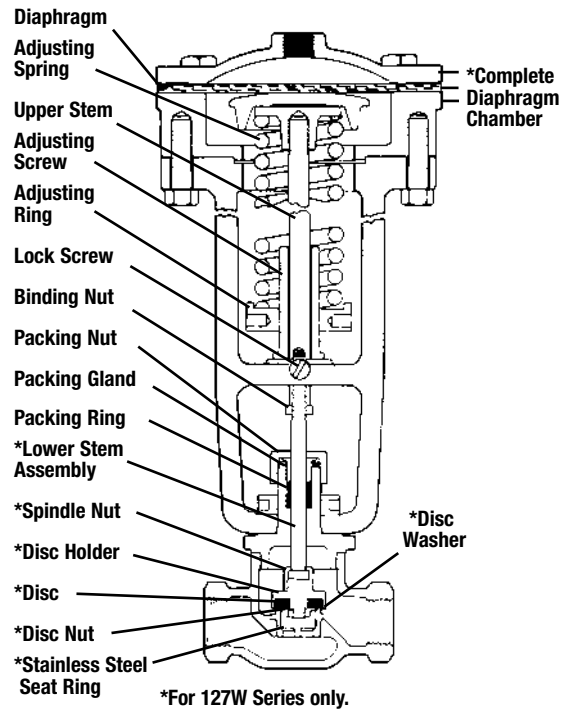
Complete Diaphragm Chamber

ORDERING CODE	PART NO.	ITEM	SIZE (in.)	LIST PRICE
0889230	SA6L20G RK	Diaphragm Chamber	—	\$316.85
0889231	SA8L20G RK	Diaphragm Chamber	—	411.15
0889232	SA10L20G RK	Diaphragm Chamber	—	559.60
0889233	SA15L20G RK	Diaphragm Chamber	—	878.45

Replacement Parts

ORDERING CODE	PART NO.	ITEM	SIZE (in.)	LIST PRICE
0889226	6L20 RK	Diaphragm 6"	1/2"-4"	\$39.10
0889227	8L20 RK	Diaphragm 8"	1/2"-4"	57.45
0889228	10L20 RK	Diaphragm 10"	1/2"-4"	96.45
0889229	15L20 RK	Diaphragm 15"	1/2"-4"	173.25
See Below	*1 or *2	*Adjusting Spring	1/2"-4"	
1050064	127A50	Upper Stem	1/2"-4"	28.80
1053046	39A53	Adjusting Screw	1/2"-4"	40.00
1054014	39A54	Adjusting Ring	1/2"-4"	42.70
1024007	1/4"-20" x 1/2"	Lock Screw	1/2"-4"	0.60
1051001	125A51	Binding Nut	1/2"-4"	8.60
1042006	2A42	Packing Nut	1/2"-4"	13.80
1041049	2A41	Packing Gland	1/2"-4"	9.10
1041011	***1	Packing Ring	1/2"-4"	2.60
1048026	127A48S	Spindle Nut	1/2"-4"	12.30
*0889238	RK-Black	Spring-Black	1/2"-4"	43.55
*0889239	RK-Green	Spring-Green	1/2"-4"	43.55

***1 Packing Ring - 3 required per valve



ORDERING CODE	PART NO.	ITEM	SIZE (in.)	LIST PRICE
1049011	SA127A49S	Lower Stem Assy.	1/2"-2"	\$37.10
1049010	SA127G49S	Lower Stem Assy.	2 1/2", 3", 4"	47.40
1016211	127B16S	SS Seat Ring (127, 127SC)	1/2"-3/4"	105.60
1016212	127C16S	SS Seat Ring (127, 127SC)	1"-1 1/4"	75.10
1016213	127E16S	SS Seat Ring (127, 127SC)	1 1/2"	112.20
1016214	127F16S	SS Seat Ring (127, 127SC)	2"	118.50
1016215	127G16S	SS Seat Ring (127, 127SC)	2 1/2"	134.20
1016252	127H16S	SS Seat Ring (127, 127SC)	3", 4"	129.90

ORDERING CODE	PART NO.	PART NAME	SIZE (in.)	LIST PRICE
1047103	127B47	Disc Holder	1/2"-3/4"	\$65.10
1047104	127C47	Disc Holder	1"-1 1/4"	106.40
1047105	127H47	Disc Holder	3", 4"	81.70
1037019	24B37	Composition Disc	1/2"-3/4"	23.00
1037066	24C37	Composition Disc	1"-1 1/4"	12.30
1037112	24HH37	Buna N Disc*	3", 4"	47.80
1051007	26Y51	Disc Nut	1/2"-3/4"	1.90
1033007	30B33	Disc Nut	1"-1 1/4"	2.50
1033033	125H33	Disc Nut	3", 4"	79.20
1024001	127AA8	Discwasher	1/2"-3/4"	1.00
1008001	125C8	Discwasher	1"-1 1/4"	2.80

Series 152A, 152AT, 252A, 252AT

Steam Pressure Regulators

Sizes 1/2" – 2"

When Ordering, Specify: 1. Ordering Code 2. Regulator Number
3. Part Name and Number or Kit Number 4. When Ordering Adjusting Spring, specify Reduced Pressure Range and Spring Number.

Repair Kits

ORDERING CODE	KIT NO.	MODELS	SIZE (IN.)	LIST PRICE
0875505	152ARK	152A, 252A	1/2"	\$148.10
0875605	152ARK	152A, 252A	3/4"	168.35
0875705	152ARK	152A, 252A	1" or 1 1/4"	210.70
0875725	152ARK	152A, 252A	1 1/2" or 2"	370.05
0875751	152ATRK	152AT, 252AT	1/2"	148.10
0875860	152ATRK	152AT, 252AT	3/4"	168.35
0875861	152ATRK	152AT, 252AT	1" or 1 1/4"	210.70

Complete repair kits include all items at right marked **

Repair Kits

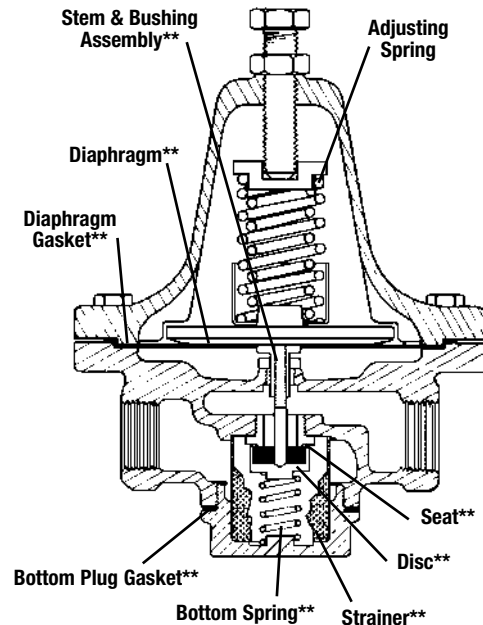
ORDERING CODE	PART NO.	ITEM	ADJUSTING SPRING RANGE-PSI	SIZE (in.)	LIST PRICE
152A, 252A					
1052009	145	Adjusting Spring	3-15	1/2" or 3/4"	\$9.10
1052010	146	Adjusting Spring	3-15	1" or 1 1/4"	14.80
1052010	146	Adjusting Spring	10-30	1/2" or 3/4"	14.80
1052007	128	Adjusting Spring	10-30	1" or 1 1/4"	30.20
1052072	141	Adjusting Spring	30-140	1/2" or 3/4"	69.50
1052073	142	Adjusting Spring	30-140	1" or 1 1/4"	44.60
1052074	276	Adjusting Spring	5-40	1 1/2" or 2"	67.20
1052673	299-ZC (zinc)	Adjusting Spring	30-100	1 1/2" or 2"	60.80
1052131	576	Bottom Spring		1/2", 3/4", 1", 1 1/4"	2.80
1052651	616	Bottom Spring		1 1/2" or 2"	43.70
1101054	4 1/4" x 4 3/4"	Diaphragm Gasket		1/2" or 3/4"	5.90
1101057	5 3/8" x 6"	Diaphragm Gasket		1" or 1 1/4"	13.80
1101058	6" x 6 15/16"	Diaphragm Gasket		1 1/2" or 2"	9.90
1077029	152B77-M1	Strainer		1/2" or 3/4"	14.80
1077030	152C77-M1	Strainer		1" or 1 1/4"	14.80
1077006	135D77	Strainer		1 1/2" or 2"	10.60
1102109	152AA102-T	Bottom Plug		1/2" or 3/4"	4.90
1102042	152C102-T	Gasket		1", 1 1/4", 1 1/2", 2"	15.00
1016046	152AA16	Seat		1/2"	30.30
1016047	152BA16	Seat		3/4"	36.20
1016048	152CA16	Seat		1" or 1 1/4"	48.40
1016049	152EA16	Seat		1 1/2" or 2"	95.20
1029080	SA-152AA29	Stem, Disc, Seat & Bushing Assy		1/2"	93.40
1029081	SA-152BA29	Stem, Disc, Seat & Bushing Assy		3/4"	103.80
1029082	SA-152CA29	Stem, Disc, Seat & Bushing Assy		1" or 1 1/4"	119.10
1029083	SA-152EA29	Stem, Disc, Seat & Bushing Assy		1 1/2" or 2"	186.70
1020107	152B20	Diaphragm (Order 3)		1/2" or 3/4"	6.20
1020108	152C20	Diaphragm (Order 3)		1" or 1 1/4"	9.90
1020110	152E20	Diaphragm (Order 3)		1 1/2" or 2"	14.20

ORDERING CODE	PART NO.	ITEM	SIZE (in.)	LIST PRICE
---------------	----------	------	------------	------------

152AT - 252T

(Same parts as 152A, 252A except for following)

1105010	SPR 69	Bottom Spring	1/2", 3/4", 1", 1 1/4"	\$4.80
1016261	152AB16-M3	Seat	1/2"	40.20
1016032	152B16-M1	Seat	3/4"	45.30
1016262	152C16-M1	Seat	1" or 1 1/4"	83.30
1029031	SA-152A29T	Stem, Disc, Seat & Bushing Assy	1/2"	95.70
1029050	SA-152B29T	Stem, Disc, Seat & Bushing Assy	3/4"	89.50
1029189	SA-152C29T	Stem, Disc, Seat & Bushing Assy	1" or 1 1/4"	171.30



Series 152SS

Steam Pressure Regulators

Sizes 1/2" - 1"

Repair Kits

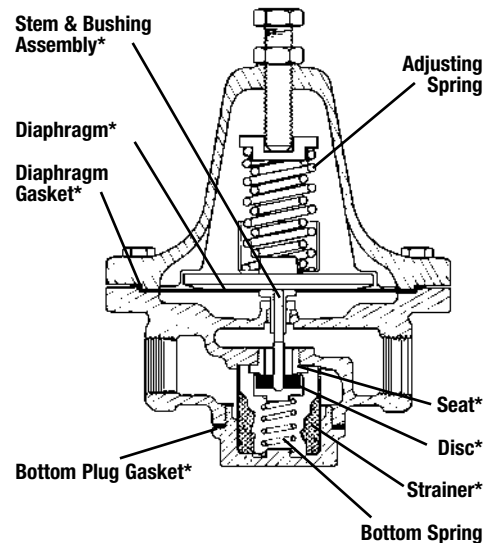
When ordering specify Ordering Code, Kit No., and Valve Size.

ORDERING CODE	PART NO.	MODELS	SIZE (in.)	LIST PRICE
0875512	1/2" 152SS-RK	152SS	1/2"	\$357.65
0875627	3/4"-1" 152SS-RK	152SS	3/4"-1"	377.45

Kit for 152SS includes all items at right*

Replacement Parts

ORDERING CODE	PART NO.	ITEM	ADJUSTING SPRING RANGE-PSI	SIZE (in.)	LIST PRICE
1052007	128	Adjusting Spring	3-15	1/2"-1"	\$30.20
1052202	591	Adjusting Spring	10-30	1/2"-1"	272.70
1052203	592	Adjusting Spring	30-140	1/2"-1"	491.60
1052200	589	Bottom Spring		1/2"-1"	187.60
1101054	4 1/4" x 4 3/4"	Diaphragm Gasket		1/2"-1"	5.90
1077029	152B77-M1	Strainer		1/2"-1"	14.80
1102109	152AA102-T	Bottom Plug Gasket		1/2"-1"	4.90
1016258	152SSAA16	Seat		1/2"	71.60
1016259	152SSCA16	Seat		3/4"-1"	78.10
1029191	SA152SSA29	Stem, Disc, Seat & Bushing Assy		1/2"	131.40
1029190	SA152SSB29	Stem, Disc, Seat & Bushing Assy		3/4"-1"	191.90
1020138	152SSAA20	Diaphragm (order 3)		1/2"-1"	60.50



Series 152SST

Steam Pressure Regulators

Sizes 1/2" - 1"

Repair Kits

Same parts as 152SS except for

ORDERING CODE	PART NO.	ITEM	SIZE (in.)	LIST PRICE
0875506	1/2" 152SSTRK	Complete	1/2"	\$357.65
0875606	3/4" 152SSTRK	Repair Kit	3/4"-1"	377.45

Kit for 152SST includes all items marked*

Replacement Parts

ORDERING CODE	PART NO.	ITEM	SIZE (in.)	LIST PRICE
1105010	69	Bottom Spring	1/2"-1"	\$4.80
1016190	T152SSAA16	Seat	1/2"	87.10
1016138	T152SSCA16	Seat	3/4"-1"	77.90
1029192	SA-152SSA29T	Complete Stem	1/2"	173.30
1029188	SA-152SSB29T	Disc & Bushing Assy	3/4"-1"	307.70

Series FBV-3, WBV-3

Brass Ball Valves

Sizes 1/4" – 3"

Handle Kits

When ordering specify Ordering Code, Kit No., and Valve Size.

ORDERING CODE	KIT NO.	FBV-3 SIZE (in.)	FBVS-3 SIZE (in.)	FBV-3C SIZE (in.)	FBVS-3C SIZE (in.)	LIST PRICE
---------------	---------	------------------	-------------------	-------------------	--------------------	------------

Lever Handle Kits

0548400	ILHK-1	1/4" - 3/8"	-	1/4" - 3/8"	-	\$4.95
0548401	ILHK-2	1/2"	-	-	-	4.95
0548402	ILHK-3	3/4"	-	1/2" - 3/4"	-	6.65
0548403	ILHK-4	1 - 1 1/4"	-	1" - 1 1/4"	-	8.20
0548404	ILHK-5	1 1/2"	-	1 1/2"	-	10.15
0548405	ILHK-6	2"	-	2"	-	11.40
0548406	ILHK-7	2 1/2" - 3"	-	-	-	21.85
0548407	ILHK-8	-	1/2"	-	1/2"	4.95
0548408	ILHK-9	-	3/4"	-	3/4"	6.65
0548409	ILHK-10	-	1 - 1 1/4"	-	1 - 1 1/4"	8.20
0548410	ILHK-11	-	1 1/2"	-	1 1/2"	10.15
0548411	ILHK-12	-	2"	-	2"	11.40
0548412	ILHK-13	-	2 1/2" - 3"	-	2 1/2" - 3"	21.85
0548413	ILHK-14	-	-	2 1/2" - 3"	-	21.85

ORDERING CODE	KIT NO.	WBV-3 SIZE (in.)	WBVS-3 SIZE (in.)	FBV-3 SIZE (in.)	FBVS-3 SIZE (in.)	FBV-3C SIZE (in.)	FBVS-3C SIZE (in.)	LIST PRICE
---------------	---------	------------------	-------------------	------------------	-------------------	-------------------	--------------------	------------

Tee Handle Kits

0548415	ITHK-1	1/4" - 3/4"	3/8" - 3/4"	1/4" - 1/2"	1/2"	1/4" - 3/8"	1/2"	\$5.30
0548416	ITHK-2	1"	1"	3/4"	3/4"	1/2" - 3/4"	3/4"	8.40
0548417	ITHK-3	-	-	1"	1"	1"	1"	10.85

Oval Handle kits

0548420	IOHK-1	1/4" - 3/4"	3/8" - 3/4"	1/4" - 1/2"	1/2"	1/4" - 3/8"	1/2"	15.85
0548421	IOHK-2	1" - 1 1/4"	1" - 1 1/4"	3/4"	3/4"	1/2" - 3/4"	3/4"	17.65
0548422	IOHK-3	1 1/2" - 2"	1 1/2" - 2"	1" - 1 1/4"	1" - 1 1/4"	1" - 1 1/4"	1" - 1 1/4"	19.20
0548423	IOHK-4	-	-	1 1/2" - 2"	1 1/2" - 2"	1 1/2" - 2"	1 1/2" - 2"	21.65

Stem Extension Kits

0885839	#0	1/4" - 3/8"	3/8"	-	-	-	-	11.65
0885840	#1	1/2" - 3/4"	1/2" - 3/4"	1/4" - 1/2"	1/2"	1/4" - 3/8"	1/2"	15.20
0885841	#2	1" - 1 1/4"	1" - 1 1/4"	3/4"	3/4"	1/2" - 3/4"	3/4"	21.75
0885842	#3	1 1/2" - 2"	1 1/2" - 2"	1" - 1 1/4"	1" - 1 1/4"	1" - 1 1/4"	1" - 1 1/4"	27.30
0885843	#4	-	-	1 1/2" - 2"	1 1/2" - 2"	1 1/2" - 2"	1 1/2" - 2"	35.00

Memory Stops

0885846	#1 MSI-HK	1/4" - 3/4"	3/8" - 3/4"	1/4" - 1/2"	1/2"	1/4" - 3/8"	1/2"	1.80
0885847	#2 MSI-HK	1" - 1 1/4"	1" - 1 1/4"	3/4"	3/4"	1/2" - 3/4"	3/4"	2.15
0885848	#3 MSI-HK	1 1/2" - 2"	1 1/2" - 2"	1" - 1 1/4"	1" - 1 1/4"	1" - 1 1/4"	1" - 1 1/4"	2.95
0885849	#4 MSI-HK	-	-	1 1/2" - 2"	1 1/2" - 2"	1 1/2" - 2"	1 1/2" - 2"	3.25

Series FBV-3C, FBVS-3C

Brass Ball Valves

Sizes 1/4" – 3"



These handle kits will only fit FBV-3C series ball valves manufactured in our WNV facility. If the ball valve has the NSF logo shown above on the lever handle, use these kits.

2

Ball Valves

Handle Kits

When ordering specify Ordering Code, Kit No., and Valve Size.

ORDERING CODE	KIT NO.	FBV-3C SIZE (in.)	FBVS-3C SIZE (in.)	LIST PRICE
Lever Handle Kits				
0548500	ILHK-30	1/4" - 1/2"	–	\$5.60
0548501	ILHK-31	3/4"	–	6.80
0548502	ILHK-32	1" - 1 1/4"	–	8.35
0548503	ILHK-33	1 1/2"	–	10.30
0548504	ILHK-34	2"	–	11.40
0548505	ILHK-35	2 1/2"	–	19.25
0548506	ILHK-36	3"	–	22.25
0548507	ILHK-37	–	1/2"	5.60
0548508	ILHK-38	–	3/4"	6.80
0548509	ILHK-39	–	1" - 1 1/4"	8.35
0548510	ILHK-40	–	1 1/2"	10.30
0548511	ILHK-41	–	2"	11.40
0548512	ILHK-42	–	2 1/2"	19.25
0548513	ILHK-43	–	3"	22.25
Tee Handle Kits				
0548514	ITHK-10	1/4" – 1/2"	–	\$6.20
0548515	ITHK-11	3/4"	–	9.15
0548516	ITHK-12	1"	–	11.45
0548527	ITHK-13	–	1/2"	6.20
0548528	ITHK-14	–	3/4"	9.15
0548529	ITHK-15	–	1"	11.45
Memory Stops				
0548522	#5 MSI-HK	1/4" - 1/2"	1/2"	\$2.20
0548523	#6 MSI-HK	3/4"	3/4"	2.30
0548524	#7 MSI-HK	1" - 1 1/4"	1" - 1 1/4"	2.95
0548525	#8 MSI-HK	1 1/2"	1 1/2"	3.25
0548526	#9 MSI-HK	2"	2"	3.65
Extention Handle Kits				
0548517	#5 SXI-HK	1/4" - 1/2"	–	\$15.20
0548518	#6 SXI-HK	3/4"	–	21.75
0548519	#7 SXI-HK	1" - 1 1/4"	–	27.30
0548520	#8 SXI-HK	1 1/2"	–	35.00
0548521	#9 SXI-HK	2"	–	37.70

Series WBV, FBV-1

Brass Ball Valves

Sizes 1/4" – 2"

Handle Kits

When ordering specify Ordering Code, Kit No., and Valve Size.

ORDERING CODE	KIT NO.	WBV SIZE (in.)	FBV-1 SIZE (in.)	LIST PRICE
Standard Lever Handle Kits				
0546705	FBV-1-HK	1/4", 3/4"	1/4", 1/2"	\$3.40
0546707	FBV-1-HK	1 1/2", 2"	1 1/4", 1 1/2"	5.55
Tee Handle Kits				
0545084	ITH-Kit-1	1/4", 3/4"	1/4", 1/2"	\$4.10
0545085	ITH-Kit-2	1"-1 1/4"	3/4"-1"	5.45
0545086	ITH-Kit-3	1 1/2", 2"	1 1/4", 1 1/2"	8.55
Oval Handle Kits				
0545087	IOH-Kit-1	1/4", 3/4"	1/4", 1/2"	\$11.65
0545088	IOH-Kit-2	1", 1 1/4"	3/4", 1"	13.95
0545089	IOH-Kit-3	1 1/2", 2"	1 1/4", 1 1/2"	18.65
Extension Handle Kits				
0545080	IXH-Kit-1	1/4", 3/4"	1/4", 1/2"	\$14.40
0545081	IXH-Kit-2	1", 1 1/4"	3/4", 1"	20.80
0545082	IXH-Kit-3	1 1/2", 2"	1 1/4", 1 1/2"	27.60

Series FBV

Bronze Ball Valves

Sizes 1/4" – 2"

Handle Kits

When ordering specify Ordering Code, Kit No., and Valve Size.

ORDERING CODE	KIT NO.	VALVE SERIES	SIZE (in.)	LIST PRICE
Standard Lever Handle Kits				
0881144	HK-FBV-F	FBV	1/2"	\$5.60
0881145	HK-FBV-F	FBV	3/4"	5.60
0881146	HK-FBV-F	FBV	1"	5.60
0881124	HK-FBV-F	FBV	1 1/2"	18.15
0881125	HK-FBV-F	FBV	2"	18.15
"T" Handle Kits				
0881700	HK-FBV-TH-F	FBV	1/4" - 3/4"	\$8.65
0881122	HK-FBV-TH-F	FBV	1"	8.65
"T" Handle Kits (Stainless Steel)				
0881702	HK-FBV-SS-TH-F	FBV	1/4" - 3/4"	\$10.60
0881128	HK-FBV-SS-TH-F	FBV	1"	10.60
Standard Lever Handle Kits (Stainless Steel)				
0881130	HK-FBV-SS-F	FBV	1 1/2"	\$22.75
0881131	HK-FBV-SS-F	FBV	2"	22.75

Bronze Ball Valves

Seat and Seal Kits

SSK Series

When ordering specify Ordering Code, Kit No., and Valve Size.



ORDERING CODE	KIT NO.	VALVE SERIES	VALVE SIZE (in.)	LIST PRICE
0885485	1 SSK-01-RK	B-6000, B-6001	1/4", 3/8"	\$6.70
0885471	1 SSK-02-RK	B-6010, B-6011	1/4", 3/8"	6.70
0885694	2 SSK-01-RK	B-6800, B-6801	1/4", 3/8", 1/2"	11.55
0885494	2 SSK-02-RK	B-6800, B-6801	1/4", 3/8", 1/2"	11.55
0885486	3 SSK-01-RK	B-6000, B-6001	1/2"	6.70
0885472	3 SSK-02-RK	B-6010, B-6011	1/2"	6.70
0885486	3 SSK-01-RK	B-6400	1/4", 3/8", 1/2"	6.70
0885472	3 SSK-02-RK	B-6400	1/4", 3/8", 1/2"	6.70
0885487	4 SSK-01-RK	B-6000, B-6001	3/4"	10.40
0885473	4 SSK-02-RK	B-6010, B-6011	3/4"	10.40
0885860	64 SSK-02-RK	B-6400	3/4"	10.40
0885498	4 SSK-01-RK-M2	B-6000-M2, B-6001-M2	3/4"	10.40
0885534	5 SSK-01-RK	B-6800, B-6801	3/4"	17.05
0885495	5 SSK-02-RK	B-6800, B-6801	3/4"	17.05
0885488	6 SSK-01-RK	B-6000, B-6001	1"	20.15
0885708	6 SSK-02-RK	B-6010, B-6011	1"	20.15
0885861	65 SSK-02-RK	B6400	1"	20.15
0885499	6 SSK-01-RK-M2	B-6000-M2, B-6001-M2	1"	20.15
0885658	7 SSK-01-RK	B-6010, B-6011	1 1/4"	31.60
0885475	7 SSK-02-RK	B-6400	1 1/4"	31.60
0885658	7 SSK-01-RK	B-6800, B-6801	1"	31.60
0885475	7 SSK-02-RK	B-6800, B-6801	1"	31.60
0406317	7 SSK-01-RK-M2	B-6000-M2	1 1/4"	31.60
0406316	7 SSK-02-RK-M2	B-6001-M2	1 1/4"	31.60
0885484	8 SSK-01-RK	B-6010, B-6011	1 1/2"	35.60
0885476	8 SSK-02-RK	B-6400	1 1/2"	42.80
		B-6800, B-6801	1 1/4"	
0406321	8 SSK-01-RK-M2	B-6000-M2	1 1/2"	42.80
0406322	8 SSK-02-RK-M2	B-6001-M2	1 1/2"	42.80
0885491	9 SSK-01-RK	B-6800, B6801	1 1/2"	54.40
0885477	9 SSK-02-RK	B-6800, B6801	1 1/2"	54.40
0885491	9 SSK-01-RK	B-6010, B-6011	2"	54.40
0885477	9 SSK-02-RK	B-6400	2"	54.40
0890387	9 SSK-01-RK-M2	B-6000-M2	2"	54.40
0406324	9 SSK-02-RK-M2	B-6001-M2	2"	54.40
0885625	10 SSK-01-RK	B-6800, B-6801	2"	85.35
0885721	10 SSK-02-RK	B-6800, B-6801	2"	85.35
0885625	10 SSK-01-RK	B-6000, B-6001	2 1/2"	85.35
0885721	10 SSK-02-RK	B-6400	2 1/2"	85.35
0885724	11 SSK-01-RK	B-6000, B-6001	3"	80.50
0885526	11 SSK-02-RK	B-6400	3"	80.50
0885459	12 SSK-01-RK	B-6000, B-6001	4"	94.40
0885458	12 SSK-02-RK	B-6000, B-6001	4"	94.40

ORDERING CODE	KIT NO.	VALVE SERIES	VALVE SIZE (in.)	LIST PRICE
0885446	19 SSK-01-RK	B-6080, B-6801	1/4", 3/8", 1/2"	\$11.55
		B-6300	1/4", 3/8", 1/2"	11.55
		B-6780, B-6781	1/4", 3/8", 1/2"	11.55
0885594	20 SSK-01-RK	B-6080, B-6081	3/4"	11.55
		B-6300	3/4"	11.55
		B-6780, B-6781	3/4"	11.55
0885692	21 SSK-01-RK	B-6080, B-6081	1"	20.15
		B-6300	1"	20.15
		B-6780, B-6781	1"	20.15
0885535	22 SSK-01-RK	B-6080	1 1/4"	26.15
		B-6780	1 1/4"	26.15
0885533	23 SSK-01-RK	B-6080, B-6081	1 1/2"	42.80
		B-6780	1 1/2"	42.80
0885493	24 SSK-01-RK	B-6080, B-6081	2"	54.40
		B-6780	2"	54.40

*Consult Factory for Ordering Code

Seat and Seal Kit Option Codes:

Suffix:

01 - Virgin Teflon® (TFE)

02 - "Standard" Durafill®

2

Ball Valves

Bronze Ball Valves

Ball and Stem Kits



BSK Series

When ordering specify Ordering Code, Kit No., and Valve Size.

ORDERING CODE	KIT NO.	VALVE SERIES	VALVE SIZE (in.)	LIST PRICE
0885540	1 BSK-B-RK	B-6000	¼", ¾"	\$11.00
0885462	2 BSK-B-RK	B-6000, B-6010	½"	11.50
		B-6400	¼", ¾", ½"	11.50
*	2 BSK-SE-RK	B-6400-SE	¼", ¾", ½"	—
*	2 BSK-SSE-RK	B-6400-SS	¼", ¾", ½"	—
0885537	3 BSK B-RK	B-6800	¼", ¾", ½"	12.05
		B-6800-SE	¼", ¾", ½"	12.05
*	3 BSK-CS-RK	B-6800-SS	¼", ¾", ½"	—
0885463	4 BSK-B-RK	B-6000, B6010	¾"	15.90
		B-6400	¾"	15.90
*	4 BSK-SE-RK	B-6400-SE	¾"	—
*	4 BSK-SSE-RK	B-6400-SS	¾"	—
0406311	4 BSK-B-RK-M2	B-6000-M2	1¼"	15.90
0885464	5 BSK-B-RK	B6010	1"	23.15
		B-6400	1"	23.15
0885555	5 BSK-SE-RK	B-6400-SE	1"	24.90
*	5 BSK-SSE-RK	B-6400-SS	1"	—
0885538	6 BSK-B-RK	B-6800	¾"	25.25
0885549	6 BSK-SS-RK	B-6800-SS	¾"	37.50
*	6 BSK-SE-RK	B-6800-SE	¾"	—
*	6 BSK-SSE-RK	B-6800-SSE	¾"	—
0885465	7 BSK-B-RK	B-6000-M2	1¼"	33.80
		B-6010	1¼"	33.80
		B-6400	1¼"	33.80
		B-6800	1"	33.80
0405379	7 BSK-SSE-RK	B-6400-SE	1¼"	116.10
		B-6800-SE	1"	116.10
0885546	7 BSK-SS-RK	B-6400-SS	1¼"	64.55
		B-6800-SS	1"	64.55
0885466	8 BSK-B-RK	B-6000-M2	1½"	48.85
		B-6010	1½"	48.85
		B-6400	1½"	48.85
		B-6080	1½"	48.85
		B-6800	1¼"	48.85
0885556	8 BSK-SS-RK	B-6800	1¼"	78.45
0397093	8 BSK-SE-RK	B-6400-SE	1½"	62.50
		B-6800-SE	1¼"	62.50
0885414	8 BSK-SSE-RK	B-6400-SS	1½"	95.00
		B-6800-SS	1¼"	—
0885548	9 BSK-B-RK	B-6080	1½"	68.25
0406313	10 BSK-B-RK-M2	B-6000-M2	2"	54.05
0885467	10 BSK-B-RK	B-6010	2"	54.05
		B-6400	2"	54.05
		B-6800	1½"	54.05
0406315	10 BSK-SS-RK-M2	B-6000-M2	2"	91.00
0885566	10 BSK-SS-RK	B-6800	1½"	91.00
0405308	10 BSK-SE-RK	B-6400-SE	2"	69.65
		B-6800-SE	1½"	69.65
0885566	10 BSK-SS-RK	B-6400-SSE	2"	91.00
		B-6800-SSE	1½"	91.00

Ball and/or Stem Kits



When ordering specify Ordering Code, Kit No., and Valve Size.

ORDERING CODE	KIT NO.	VALVE SERIES	VALVE SIZE (in.)	LIST PRICE
0885542	11 BSK-B-RK	B-6000, B-6400	2½"	\$123.20
		B-6080, B-6800	2"	123.20
0885580	11 BSK-SS-RK	B-6800	2"	182.25
0407719	11 BSK-SE-RK	B-6800-SE	2"	69.65
*	11 BSK-SSE-RK	B-6800-SSE	2"	—
0885449	12 BSK-B-RK	B-6000, B-6400	3"	158.60
0885545	12 BSK-SS-RK	B-6000SS, B6400SS	3"	182.25
0885672	26 BSK-B-RK	B-6780-M1, B-6781	¼", ¾", ½"	9.55
*	26 BSK-SS-RK	B-6780-M1, B-6781	¼", ¾", ½"	—
0885886	27 BSK-B-RK	B-6780-M1, B-6781	¾"	14.10
0890079	27 BSK-SS-RK	B-6780-M1, B-6781	¾"	52.15
0885887	28 BSK-B-RK	B-6780-M1, B-6781	1"	23.15
0885895	28 BSK-SS-RK	B-6780-M1, B-6781	1"	98.80
0885896	29 BSK-B-RK	B-6780-M1	1¼"	33.80
*	29 BSK-SS-RK	B-6780-M1	1¼"	—
0885889	30 BSK-B-RK	B-6780-M1	1½"	48.85
0396934	30 BSK-SS-RK	B-6780-M1	1½"	119.40
0885890	31 BSK-B-RK	B-6780-M1	2"	167.10
0885891	31 BSK-SS-RK	B-6780-M1	2"	249.35
*	33 BSK-B-RK	B-6100	1¼"	—
*	33 BSK-SS-RK	B-6100-SS	1¼"	—
*	34 BSK-B-RK	B-6100	2"	—
*	34 BSK-SS-RK	B-6100-SS	2"	—
0885502	35 BSK-B-RK	B-6000	4"	238.25
0397815	49 BSK-B-RK	B-6080	½"	12.05
0397817	49 BSK-SS-RK	B-6080	½"	26.20
0397818	50 BSK-B-RK	B-6080	¾"	26.90
0397820	50 BSK-SS-RK	B-6080	¾"	39.90
0397821	51 BSK-B-RK	B-6080	1"	35.80
0397823	51 BSK-SS-RK	B-6080	1"	68.00

*Consult Factory for Ordering Code

Bronze Ball Valves

Standard Lever Handle Kits

HK Series

When ordering specify Ordering Code, Kit No., and Valve Size.



ORDERING CODE	KIT NO.	VALVE SERIES	VALVE SIZE (in.)	LIST PRICE
0885452	1 HK	B-6000	1/4", 3/8", 1/2"	\$5.45
		B-6080	1/4", 3/8", 1/2"	5.45
		B-6100	1/4", 3/8", 1/2"	5.45
		B-6300	1/4", 3/8", 1/2"	5.45
		B-6400	1/4", 3/8", 1/2"	5.45
		B-6780-M1	1/4", 3/8", 1/2"	5.45
		B-6800	1/4", 3/8", 1/2"	5.45
		B-6080	3/4"	5.45
		B-6100	3/4"	5.45
		B-6300	3/4"	5.45
		B-6780-M1	3/4"	5.45
		0885453	2 HK	B-6000-M2
B-6400	3/4"			6.75
B-6800	3/4"			6.75
B-6080	1"			6.75
B-6100	1"			6.75
B-6300	1"			6.75
B-6100	1 1/4"			6.75
0406309	2HK-M2	B-6000-M2	1 1/4"	6.75
0885454	3 HK	B-6400	1"	6.75
		B-6780-M1	1"	6.75
		B-6100	1 1/2"	6.75
0885455	4 HK	B-6800	1", 1 1/4"	8.85
		B-6000-M2	1 1/2"	8.85
		B-6080	1 1/4", 1 1/2"	8.85
		B-6400	1 1/4", 1 1/2"	8.85
		B-6780-M1	1 1/4", 1 1/2"	8.85
B-6100	2"	8.85		
0885457	5 HK	B-6800	1 1/2", 2"	8.85
		B-6080	2"	8.85
		B-6780-M1	2", 2 1/2"	8.85
		B-6000	2 1/2", 3"	8.85
		B-6400	2 1/2", 3"	8.85
0885608	8 HK	B-6000-M2	2"	17.70
0885609	9 HK	B-6000	4"	22.30

Latch - Lock Lever Handle Kits

LL Series

When ordering specify Ordering Code, Kit No., and Valve Size.



ORDERING CODE	KIT NO.	VALVE SERIES	VALVE SIZE (in.)	LIST PRICE
0885560	1 LL-HK	B-6400-SLC	1/4", 3/8", 1/2"	\$17.70
		B-6800-SLC	1/4", 3/8", 1/2"	17.70
0885585	2 LL-HK	B-6400-LL	1/4", 3/8", 1/2"	17.70
		B-6800-LL	1/4", 3/8", 1/2"	17.70
0885561	3 LL-HK	B-6400-SLC	3/4"	17.70
		B-6800-SLC	3/4"	17.70
0885536	4 LL-HK	B-6400-LL	3/4"	18.70
		B-6800-LL	3/4"	18.70
0885562	5 LL-HK	B-6400-SLC	1"	18.70
0885589	6 LL-HK	B-6400-LL	1"	18.70
0885571	7 LL-HK	B-6800-LL	1", 1 1/4"	32.70
		B-6400-LL	1 1/4", 1 1/2"	32.70
0885563	8 LL-HK	B-6800-SLC	1", 1 1/4"	32.70
		B-6400-SLC	1 1/4", 1 1/2"	32.70
0885574	9 LL-HK	B-6800-LL	1 1/2", 2"	31.15
		B-6400-LL	2"	31.15
0885565	10 LL-HK	B-6800-SLC	1 1/2"	31.15
		B-6800-LL	2"	31.15
		B-6400-SLC	2"	31.15
		B-6400-LL	3"	31.15

Locking Lever Handle Kits

LH Series

ORDERING CODE	KIT NO.	VALVE SERIES	VALVE SIZE (in.)	LIST PRICE
0406005	12 LH-HK	B-6000	1/4", 1/2"	\$11.55
0406006	13 LH-HK	B-6000-M2	3/4", 1"	11.10
0406008	15 LH-HK	B-6000-M2	1 1/4"	18.70
0406009	16 LH-HK	B-6000-M2	1 1/2", 2"	17.70

EMVII (EA-350)

Replacement Actuators

When ordering specify Ordering Code, Kit No., and Valve Size.

ORDERING CODE	KIT NO.	VALVE SIZE (in.)	LIST PRICE
1800837	SA-EMVII-350-115-8	1/4", 1 1/2"	\$670.00
1800839	SA-EMVII-350-115-35	1/4", 1 1/2"	670.00
1800830	SA-EMVII-350-24-18	1/2", 1 1/2"	670.00
1800841	SA-EMVII-350-24-40	1/2", 1 1/2"	670.00
1800881	SA-EMVII-350-115-5	2"	1900.20
1800882	SA-EMVII-350-24-5	2"	2155.80
1800883	SA-EMVII-350-115-40	2"	2123.50
1800884	SA-EMVII-350-24-40	2"	2123.50
0406392	PF1100-11A-115-25	2 1/2", 3"	1155.60
0891370	PF1100-24A-25	2 1/2", 3"	1289.55

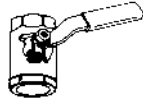
2

Ball Valves

Bronze Ball Valves

Balance Stop Kits

BHK Series



When ordering specify Ordering Code, Kit No., and Valve Size.

ORDERING CODE	KIT NO.	VALVE SERIES	VALVE SIZE (in.)	LIST PRICE
0885478	1 BHK-HK	B-6000	1/4", 3/8", 1/2"	\$10.55
		B-6080	1/4", 3/8", 1/2"	10.55
		B-6100	1/4", 3/8", 1/2"	10.55
		B-6300	1/4", 3/8", 1/2"	10.55
		B-6400	1/4", 3/8", 1/2"	10.55
		B-6800	1/4", 3/8", 1/2"	10.55
		B-6080	3/4"	10.55
		B-6100	3/4"	10.55
		B-6300	3/4"	10.55
		0896242	1 BHK-HK-M2	B-6000-M2
B-6400	3/4" - 1"			10.55
B-6800	3/4" - 1"			10.55
B-6080	1"			10.55
B-6100	1"			10.55
B-6300	1"			10.55
0885479	2 BHK-HK	B-6400	1"	32.80
		B-6100	1 1/4", 1 1/2"	32.80
		B-6800	1", 1 1/4"	32.80
		B-6000	1 1/4", 1 1/2", 2"	32.80
		B-6080	1 1/4", 1 1/2"	32.80
		B-6400	1 1/4", 1 1/2"	32.80
		B-6100	2"	32.80
0896243	2 BHK-HK-M2	B-6000-M2	1 1/4"	32.80
0885480	3 BHK-HK	B-6800	1 1/2", 2", 2 1/2"	32.80
		B-6080	2"	32.80
		B-6000	2", 2 1/2", 3"	32.80
		B-6400	2", 2 1/2", 3"	32.80
0896200	3 BHK-HK-M2	B-6000-M2	1 1/2", 2"	10.55
0885602	4 BHK-HK	B-6800	1 1/2", 2"	14.25
		B-6400	2", 2 1/2", 3"	14.25
0885617	*5 BHK-HK	B-6000	1/4", 3/8", 1/2"	10.55
		B-6100	1/4", 3/4"	10.55
0885618	6 BHK-HK	B-6000	3/4"	10.55
		B-6100	1"	10.55

* For use with "TH" only.

NOTE: BHK Kits will not fit in combination with models LL, OL, RH and TH.

Extended Lever Handle Kits

XHK Series



When ordering specify Ordering Code, Kit No., and Valve Size.

ORDERING CODE	KIT NO.	VALVE SERIES	VALVE SIZE (in.)	LIST PRICE
0407760	7 XHK-LH-HK	B-6000	1/4", 3/8", 1/2"	\$28.25
		B-6080	1/4", 3/8", 1/2", 3/4"	28.25
		B-6400	1/4", 3/8", 1/2"	28.25
		B-6800	1/4", 3/8", 1/2"	28.25
		B-6100	1/4", 3/8", 1/2", 3/4"	28.25
		B-6780-M1	1/4", 3/8", 1/2", 3/4"	28.25
0407761	8 XHK-LH-HK	B-6000-M2, B-6080	3/4"	28.25
		B-6400	3/4"	28.25
		B-6800	3/4"	28.25
		B-6080, B-6000-M2	1"	28.25
0407762	9 XHK-LH-HK	B-6100	1"	28.25
		B-6400	1"	28.25
		B-6780-M1	1"	28.25
0407763	10 XHK-LH-HK	B-6100	1 1/4"	28.25
		B-6400	1 1/4"	28.25
		B-6780-M1	1 1/2"	28.25
		B-6000-M2	1 1/2"	28.25
		B-6800	1", 1 1/4"	28.25
0407764	11 XHK-LH-HK	B-6080-SS	1 1/4", 1 1/2"	28.25
		B-6400-SS	1 1/4", 1 1/2"	28.25
		B-6800-SS	1", 1 1/4"	28.25
0407765	12 XHK-LH-HK	B-6000-SS-M2	1 1/2"	28.25
		B-6800	1 1/2", 2"	28.25
		B-6080	2"	28.25
		B-6780-M1	2"	28.25
		B-6000	2 1/2", 3"	28.25
0407766	13XHK-LH-HK	B-6400	2 1/2", 3"	28.25
		B-6800-SS	1 1/2", 2"	28.25
		B-6400-SS	2", 2 1/2", 3"	28.25
0407768	15 XHK-LH-HK	B-6080-SS	2"	28.25
		B-6000-M2	1 1/4"	28.25
		B-6000-SS-M2	1 1/4"	28.25
0407769	16 XHK-LH-HK	B-6000-M2	2"	28.25
0407770	17 XHK-LH-HK	B-6000-SS-M2	2"	80.40

Extended Lever Handle Kits with Balance Stops

XHBS Series



ORDERING CODE	KIT NO.	VALVE SERIES	VALVE SIZE (in.)	LIST PRICE
0894778	7 XHBS-LH-HK	B-6000-M2	1/4", 3/8", 1/2"	\$38.20
0894779	8 XHBS-LH-HK	B-6000-M2	3/4"	38.20
		B-6000-M2	1"	38.20
0894784	15 XHBS-LH-HK	B-6000-M2	1 1/4"	61.10
0894782	11 XHBS-LH-HK	B-6000-M2	1 1/2"	61.10
0894785	16 XHBS-LH-HK	B-6000-M2	2"	113.20

Bronze Ball Valves

"T" Handle Kits



TH Series

When ordering specify Ordering Code, Kit No., and Valve Size.

ORDERING CODE	KIT NO.	VALVE SERIES	VALVE SIZE (in.)	LIST PRICE
0887388	1 TH-HK	B-6000	1/4", 3/8", 1/2"	\$5.80
		B-6080	1/4", 3/8", 1/2"	5.80
		B-6100	1/4", 3/8", 1/2"	5.80
		B-6300	1/4", 3/8", 1/2"	5.80
		B-6400	1/4", 3/8", 1/2"	5.80
		B-6780-M1	1/4", 3/8", 1/2"	5.80
		B-6800	1/4", 3/8", 1/2"	5.80
		B-6080	3/4"	5.80
		B-6100	3/4"	5.80
		B-6300	3/4"	5.80
0887389	2 TH-HK	B-6000-M2	3/4", 1", 1 1/4"	7.20
		B-6400	3/4"	7.20
		B-6780-M1	3/4"	7.20
		B-6800	3/4"	7.20
		B-6080	1"	7.20
		B-6100	1"	7.20
		B-6300	1"	7.20
0887390	3 TH-HK	B-6400	1"	7.20
		B-6780-M1	1"	7.20
		B-6100	1 1/2"	7.20
0887391	4 TH-HK	B-6800	1", 1 1/4"	15.65
		B-6080	1 1/4", 1 1/2"	15.65
		B-6400	1 1/4", 1 1/2"	15.65
		B-6780-M1	1 1/4", 1 1/2"	15.65
		B-6100	2"	15.65
		B-6000-M2	1 1/2", 2"	15.65
0887392	5 TH-HK	B-6800	1 1/2", 2"	15.65
		B-6080	2"	15.65
		B-6000	2 1/2", 3"*	15.65
		B-6400	2 1/2", 3"*	15.65
		B-6780-M1	2 1/2", 3"*	15.65

* Not recommended due to high operating torques.

Stainless Steel Lever Handle Kits



SH Series

When ordering specify Ordering Code, Kit No., and Valve Size.

ORDERING CODE NO.	KIT NO.	VALVE SERIES	VALVE SIZE (in.)	LIST PRICE
0887382	1 SH-HK	B-6000	1/4", 3/8", 1/2"	\$6.60
		B-6080	1/4", 3/8", 1/2"	6.60
		B-6100	1/4", 3/8", 1/2"	6.60
		B-6300	1/4", 3/8", 1/2"	6.60
		B-6400	1/4", 3/8", 1/2"	6.60
		B-6780-M1	1/4", 3/8", 1/2"	6.60
		B-6800	1/4", 3/8", 1/2"	6.60
		B-6080	3/4"	6.60
		B-6100	3/4"	6.60
		B-6300	3/4"	6.60
0887383	2 SH-HK	B-6000-M2	3/4", 1", 1 1/4"	6.60
		B-6400	3/4"	6.60
		B-6780-M1	3/4"	6.60
		B-6800	3/4"	6.60
		B-6080	1"	6.60
		B-6100	1"	6.60
		B-6300	1"	6.60
0887384	3 SH-HK	B-6400	1"	6.60
		B-6780-M1	1"	6.60
		B-6100	1 1/4", 1 1/2"	6.60
0887395	4 SH-HK	B-6800	1", 1 1/4"	13.30
		B-6080	1 1/4", 1 1/2"	13.30
		B-6400	1 1/4", 1 1/2"	13.30
		B-6780-M1	1 1/4", 1 1/2"	13.30
		B6000	1 1/2", 2"	13.30
		B-6100	2"	13.30
0887386	5 SH-HK	B-6800	1 1/2", 2"	15.50
		B-6080	2"	15.50
		B-6000	2 1/2", 3"	15.50
		B-6400	2 1/2", 3"	15.50
		B-6780-M1	2 1/2", 3"	15.50
0885614	9 SH-HK	B-6000	4"	33.30

2

Ball Valves

Bronze Ball Valves

Round Handle Kits



RH Series

When ordering specify Ordering Code, Kit No., and Valve Size.

ORDERING CODE	KIT NO.	VALVE SERIES	VALVE SIZE (in.)	LIST PRICE
0885518	1 RH-HK	B-6000	1/4", 3/8", 1/2"	\$19.55
		B-6080	1/4", 3/8", 1/2"	19.55
		B-6100	1/4", 3/8", 1/2"	19.55
		B-6300	1/4", 3/8", 1/2"	19.55
		B-6400	1/4", 3/8", 1/2"	19.55
		B-6800	1/4", 3/8", 1/2"	19.55
		B-6080	3/4"	19.55
		B-6100	3/4"	19.55
		B-6300	3/4"	19.55
0885519	2 RH-HK	B-6000-M2	3/4", 1", 1 1/4"	19.55
		B-6400	3/4"	19.55
		B-6800	3/4"	19.55
		B-6080	1"	19.55
		B-6100	1"	19.55
		B-6300	1"	19.55
0885520	3 RH-HK	B-6400	3/4"	19.55
		B-6100	1"	19.55
		B-6800	1 1/4", 1 1/2"	19.55
0885521	4 RH-HK	B-6080	1 1/4", 1 1/2"	73.95
		B-6400	1 1/4", 1 1/2"	73.95
		B-6100	1 1/4", 1 1/2"	73.95
		B-6000-M2	1 1/2", 2"	73.95
0885522	5 RH-HK	B-6800	1 1/2", 2"*	73.95
		B-6080	2"	73.95
		B-6000	2 1/2", 3"*	73.95
		B-6400	2", 2 1/2", 3"	73.95

* Not recommended due to high operating torques

Oval Locking and Oval Latch Lock Handle Kits

OV-LH and OV-LL Series

ORDERING CODE	KIT NO.	VALVE SERIES	VALVE SIZE (in.)	LIST PRICE
0889885	2 OV-SS-LH	B-6000	1/4", 3/8", 1/2"	\$49.25
0889888	3 OV-SS-LH	B-6000	3/4"	49.25
0889899	3 OV-SS-LH-M2-HK	B-6000-M2	3/4", 1", 1 1/4"	49.25
0889897	6 OV-SS-LH	B-6000-M2	1 1/2", 2"	83.75
0889886	2 OV-SS-LL	B-6400	1/4", 3/8", 1/2"	49.25
		B-6800	1/4", 3/8", 1/2"	49.25
0889889	3 OV-SS-LL	B-6400	3/4"	49.25
		B-6800	3/4"	49.25
0889895	5 OV-SS-LL	B-6800	1", 1 1/4"	83.75
		B-6400	1 1/4", 1 1/2"	83.75
0889898	6 OV-SS-LL	B-6800	1 1/2", 2"*	83.75
		B-6400	2"	83.75

*Not recommended due to high operating torques

Oval Handle Kits

OV and OV-SS Series



ORDERING CODE	KIT NO.	VALVE SERIES	VALVE SIZE (in.)	LIST PRICE
0889867	2 OV-HK	B-6000	1/4", 3/8", 1/2"	\$19.55
0889884	2 OV-SS-HK	B-6080	1/4", 3/8", 1/2"	39.55
		B-6100	1/4", 3/8", 1/2"	39.55
		B-6300	1/4", 3/8", 1/2"	39.55
		B-6400	1/4", 3/8", 1/2"	39.55
		B-6780	1/4", 3/8", 1/2"	39.55
		B-6800	1/4", 3/8", 1/2"	39.55
		B-6080	3/4"	39.55
		B-6100	3/4"	39.55
		B-6300	3/4"	39.55
		B-6780	3/4"	39.55
0889870	3 OV-HK	B-6000	3/4"	19.55
		B-6400	3/4"	19.55
0889887	3 OV-SS-HK	B-6800	3/4"	39.55
		B-6080	1"	39.55
		B-6100	1"	39.55
		B-6300	1"	39.55
		B-6780	1"	39.55
0889883	3 OV-M2-HK	B-6000-M2	3/4", 1", 1 1/4"	18.70
0889873	4 OV-HK	B-6400	1"	19.55
0889890	4 OV-SS-HK	B-6100	1 1/4", 1 1/2"	39.55
0889876	5 OV-HK	B-6800	1", 1 1/4"	29.70
0889893	5 OV-SS-HK	B-6080	1 1/4", 1 1/2"	59.10
		B-6400	1 1/4", 1 1/2"	59.10
		B-6780	1 1/4", 1 1/2"	59.10
		B-6000-M2	1 1/2", 2"	59.10
		B-6100	2"	59.10
0889879	6 OV-HK	B-6800	1 1/2", 2"*	29.70
0889896	6 OV-SS-HK	B-6080	2"	59.10
		B-6780	2"	59.10
		B-6000	2 1/2"*, 3"*	59.10
		B-6400	2 1/2"*, 3"*	59.10

*Not recommended due to high operating torques

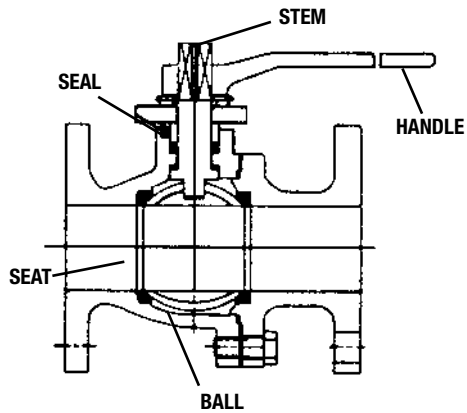
G4000, G4000-M1

Seat and Seal Kits

SSK Series

When ordering specify Ordering Code, Kit No., and Valve Size.

ORDERING CODE	KIT NO.	VALVE SERIES	VALVE SIZE (in.)	LIST PRICE
0885250	SSK-G4000	G4000	2"	\$78.05
0885252	SSK-G4000	G4000	2½"	150.90
0885254	SSK-G4000	G4000	3"	159.85
0885256	SSK-G4000	G4000	4"	303.75
0886100	SSK-G4000	G4000	6"	381.50
0886101	SSK-G4000	G4000	8"	923.35
0886102	SSK-G4000	G4000	10"	1066.80
0830000	SSK-G4000-M1	G4000-M1	2"	78.05
0830001	SSK-G4000-M1	G4000-M1	2½"	150.90
0830002	SSK-G4000-M1	G4000-M1	3"	159.85
0830003	SSK-G4000-M1	G4000-M1	4"	303.75
0830004	SSK-G4000-M1	G4000-M1	6"	381.50



3

Gate/Globe/Check Valves

Ball and Stem Kits

BSK Series

ORDERING CODE	KIT NO.	VALVE SERIES	VALVE SIZE (in.)	LIST PRICE
0885982	BSK-G4000	G4000	2"	\$ 175.40
0885983	BSK-G4000	G4000	2½"	262.00
0885984	BSK-G4000	G4000	3"	295.15
0885985	BSK-G4000	G4000	4"	450.90
0885986	BSK-G4000	G4000	6"	1148.50
0886103	BSK-G4000	G4000	8"	1858.85
0886104	BSK-G4000	G4000	10"	2372.55
0830005	BSK-G4000-M1	G4000-M1	2"	153.95
0830006	BSK-G4000-M1	G4000-M1	2½"	229.95
0830007	BSK-G4000-M1	G4000-M1	3"	259.20
0830008	BSK-G4000-M1	G4000-M1	4"	395.65
0830009	BSK-G4000-M1	G4000-M1	6"	1008.20

Handle Kits

HK Series

ORDERING CODE	KIT NO.	VALVE SERIES	VALVE SIZE (in.)	LIST PRICE
0885987	HK-G4000	G4000	2"	\$30.50
0885988	HK-G4000	G4000	2½"	32.90
0885989	HK-G4000	G4000	3"	32.90
0885990	HK-G4000	G4000	4"	42.75
0885991	HK-G4000	G4000	6"	47.70
0835500	HK-G4000-M1	G4000-M1	2"	28.90
0835501	HK-G4000-M1	G4000-M1	2½"	31.40
0835502	HK-G4000-M1	G4000-M1	3"	31.40
0835503	HK-G4000-M1	G4000-M1	4"	40.05
0835504	HK-G4000-M1	G4000-M1	6"	42.35

Series WGV

Brass Gate Valves

Sizes 1/2" – 4"

Handle Kits

When ordering specify Ordering Code, Kit No., and Valve Size.

ORDERING CODE	KIT NO.	VALVE SERIES	SIZE (in.)	LIST PRICE
0760060	WGV-H-RK	WGV	1/2", 3/4"	\$4.10
0760061	WGV-H-RK	WGV	1"	4.70
0760065	WGV-H-RK	WGV	1 1/4"	7.15
0760067	WGV-H-RK	WGV	1 1/2"	7.15
0760063	WGV-H-RK	WGV	2"	8.65
0760066	WGV-Handle-RK	WGV	2 1/2"	12.00
0760068	WGV-H-RK	WGV	2 1/2", 3"	12.00
0760069	WGV-H-RK	WGV	4"	14.50

Series GV

Bronze Gate Valves

Sizes 1/4" – 4"

Handle Kits

When ordering specify Ordering Code, Kit No., and Valve Size.

ORDERING CODE	KIT NO.	VALVE SERIES	SIZE (in.)	LIST PRICE
1600100	GVH-1	GV	1/4", 3/8", 1/2"	\$6.75
1600110	GVH-2	GV	3/4"	6.75
1600120	GVH-3	GV	1", 1 1/4"	6.75
1600130	GVH-4	GV	1 1/2"	6.25
1600140	GVH-5	GV	2"	7.35
1600150	GVH-6	GV	2 1/2"	9.35
1600160	GVH-7	GV	3"	14.15
1600170	GVH-8	GV	4"	19.15

Series WGV-X

Brass Cross Handle Gate Valves

Sizes 1/2" – 2"

Handle Kits

When ordering specify Ordering Code, Kit No., and Valve Size.

ORDERING CODE	KIT NO.	VALVE SERIES	SIZE (in.)	LIST PRICE
0881135	HK-WGV-X	WGV-X	1/2"	\$8.90
0881136	HK-WGV-X	WGV-X	3/4"	8.90
0881137	HK-WGV-X	WGV-X	1"	8.90
0881138	HK-WGV-X	WGV-X	1 1/4"	18.65
0881139	HK-WGV-X	WGV-X	1 1/2"	18.65
0881140	HK-WGV-X	WGV-X	2"	18.65

Series 405, 406

Iron Flanged Gate Valves

Sizes 2 1/2" – 10"

Handle Kits

When ordering specify Ordering Code, Kit No., and Valve Size.

ORDERING CODE	KIT NO.	VALVE SERIES	SIZE (in.)	LIST PRICE
0889594	405-RW-HK	405-RW	2 1/2"	\$50.75
0889595	405-RW-HK	405-RW	3"	50.75
0889596	405-RW-HK	405-RW	4"	90.95
0889597	405-RW-HK	405-RW	6"	141.35
0889598	405-RW-HK	405-RW	8"	181.60
0889599	405-RW-HK	405-RW	10"	255.35
0889600	406-HK	406	2 1/2"	50.75
0889601	406-HK	406	3"	50.75
0889602	406-HK	406	4"	90.95
0889603	406-HK	406	6"	141.35
0889604	406-HK	406	8"	181.60
0889605	406-HK	406	10"	215.15
0889630	406-RW-HK-F	406-RW	2 1/2"	50.75
0889631	406-RW-HK-F	406-RW	3"	50.75
0889632	406-RW-HK-F	406-RW	4"	90.95
0889633	406-RW-HK-F	406-RW	6"	141.35
0889634	406-RW-HK-F	406-RW	8"	181.60
0889635	406-RW-HK-F	406-RW	10"	255.35

Series 408

Iron Flanged Gate Valves

Sizes 2½" – 10"

Handle Kits

When ordering specify Ordering Code, Kit No., and Valve Size.

ORDERING CODE	KIT NO.	VALVE SERIES	SIZE (in.)	LIST PRICE
Domestic				
0889612	408-HK	408	2½"	\$163.15
0889613	408-HK	408	3"	254.10
0889614	408-HK	408	4"	293.10
0889615	408-HK	408	6"	399.30
0889616	408-HK	408	8"	477.05
0889617	408-HK	408	10"	682.95
Import				
0889640	408-RW-HK-F	408-RW	2½"	\$163.15
0889641	408-RW-HK-F	408-RW	3"	254.10
0889642	408-RW-HK-F	408-RW	4"	293.10
0889643	408-RW-HK-F	408-RW	6"	399.30
0889644	408-RW-HK-F	408-RW	8"	477.05
0889645	408-RW-HK-F	408-RW	10"	682.95

4

Strainers

Series 600-601

Bronze Silent Check Valves

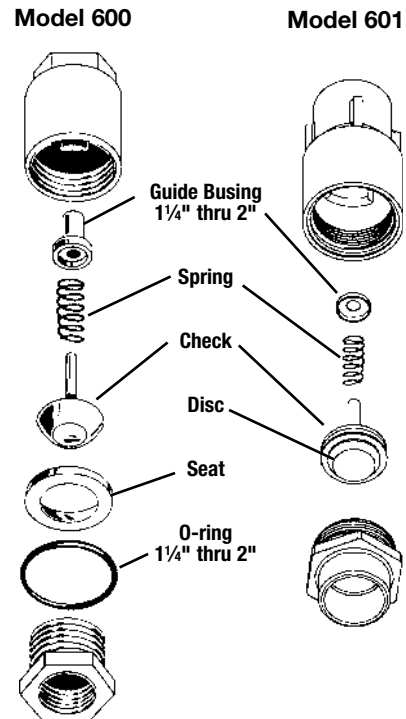
Sizes ¼" – 2"

Repair Kits

When ordering specify Ordering Code, Kit No., and Valve Size.

ORDERING CODE	KIT NO.	VALUE SERIES	SIZE (in.)	LIST PRICE
0881201	600RK	600	¼" - ⅜" - ½"	\$ 15.80
0881202	600RK	600	¾"	18.10
0881197	600RK	600	1"	22.85
0881203	600RK	600	1¼"	52.15
0881199	600RK	600	1½"	60.05
0881204	600RK	600	2"	84.90
0881200	601RK	601	½"	14.65
0881205	601RK	601	¾"	16.95
0881206	601RK	601	1"	21.45

Kit for 600, 601 consists of parts shown at right



Strainer Screens and Gaskets

Standard Strainer Screen Replacements

SERIES	SIZE (in.)	SCREEN ORDERING CODE	PART NO.	STANDARD SCREEN SIZE	LIST PRICE	GASKET ORDERING CODE	PART NO.	LIST PRICE
Series 17 (3/4" - 1") and Series 27 (1/8" - 1/2")								
17	3/4"-1"	1077010	SA-17BA77-40	40 Mesh	\$17.40	1102060	17BA102	\$0.30
27	1/8"	1077024	P18Y77-40	40 Mesh	2.50	1101010	1 1/16" x 7/8" x 1/32" NLY	0.60
27	1/4"	1077012	27Y77-30	30 Mesh	7.00	1103032	N56A103	0.60
27	3/8"	1077022	4500A77-24	24 Mesh	8.10	1101064	9DA101	1.90
27	1/2"	1077002	135A77-24	24 Mesh	8.40	1101064	9DA101	1.90
Series 777 / S777 / 777S / S777S (1/4" - 4")								
777	1/4"-3/8"	1077496	777X77-20	20 Mesh	\$6.20	1101347	777xa101	\$0.20
777	1/2"	1077602	777AB77-20	20 Mesh	5.20	1101557	777AA101	2.60
777	3/4"	1077603	777BA77-20	20 Mesh	9.30	1101825	777BA101	2.60
777	1"	1077653	777CA77-20	20 Mesh	9.30	1101348	777CA101	0.50
777	1 1/4"	1077654	777DA77-20	20 Mesh	9.30	1101348	777CA101	0.50
777	1 1/2"	1077655	777EA77-20	20 Mesh	9.30	1101820	777EA101	3.80
777	2"	1077485	777FB77-20	20 Mesh	10.80	1101826	777FA101	3.80
777	2 1/2"	1077064	777F77-20	20 Mesh	10.30	1101098	777F101	8.00
777	3"	1077067	777G77-04	3/64" perf.	44.20	1101288	777HA101	2.20
777	4"	1077426	F78JA77-12	1/8" perf.	219.90	1101534	777JA101	14.50
Series 77S-M1 (1/4" - 3")								
77S-M1	1/4", 3/8", 1/2"	1077602	777AB77-20	20 Mesh	\$5.20	1101092	77A101	\$2.60
77S-M1	3/4"	1077603	777BA77-20	20 Mesh	9.30	1101326	77BA101	2.30
77S-M1	1"	1077653	777CA77-20	20 Mesh	9.30	1101327	77CA101	3.40
77S-M1	1 1/4"	1077654	777DA77-20	20 Mesh	9.30	1101327	77CA101	3.40
77S-M1	1 1/2"	1077655	777EA77-20	20 Mesh	9.30	1101328	77EA101	4.30
77S-M1	2"	1077485	777FB77-20	20 Mesh	10.80	1101097	77E101	6.60
77S-M1	2 1/2"	1077064	777F77-20	20 Mesh	10.30	1101098	77F101	8.00
77S-M1	3"	1077067	777G77-04	3/64" perf.	44.20	1101091	77G101	13.50
Series 777SI / S777SI (3/8" - 3") 20 Mesh Screen Only (Fortune)								
777SI	3/8"	0899118	RK 777SI-Screen	20 Mesh	\$9.05	0899109	RK 777SI-Gasket	\$3.30
777SI	1/2"	0899119	RK 777SI-Screen	20 Mesh	9.05	0899110	RK 777SI-Gasket	3.30
777SI	3/4"	0899120	RK 777SI-Screen	20 Mesh	16.25	0899111	RK 777SI-Gasket	4.00
777SI	1"	0899121	RK 777SI-Screen	20 Mesh	19.00	0899112	RK 777SI-Gasket	5.10
777SI	1 1/4"	0899122	RK 777SI-Screen	20 Mesh	26.75	0899113	RK 777SI-Gasket	5.50
777SI	1 1/2"	0899123	RK 777SI-Screen	20 Mesh	30.65	0899114	RK 777SI-Gasket	9.05
777SI	2"	0899124	RK 777SI-Screen	20 Mesh	49.80	0899115	RK 777SI-Gasket	14.10
777SI	2 1/2"	0899125	RK 777SI-Screen	20 Mesh	107.15	0899116	RK 777SI-Gasket	20.70
777SI	3"	0899126	RK 777SI-Screen	20 Mesh	141.70	0899117	RK 777SI-Gasket	31.25
Series 777SI-M1 (3/8" - 2") Italy Stamped on Valve								
777SI	1/2"	1077762	SI 777AB77-40	40 Mesh	5.40	1101602	SI 777AA101	\$2.60
777SI	3/4"	1077763	SI 777BA77-40	40 Mesh	9.30	1101603	SI 222BA101	2.60
Series 77F-D / 77F-DI-125 (2" - 12")								
77F-D	2	1077596	D77FA77-06	1/16" perf.	\$33.40	1101604	SI 5D104	5.00
77F-D	2 1/2"	1077379	D77GA77-06	1/16" perf.	19.50	1101605	SI 777DA101	5.00
77F-D	3	1077215	D77HA77-06	1/16" perf.	19.00	1101606	SI 777EA101	5.40
77F-D	4	1077469	D77JA77-06	1/16" perf.	32.20	1101607	SI 777FA101	5.40
77F-D	5	1077526	D77KK77-06	1/16" perf.	117.80	1102376	F77FA102	\$4.10
77F-D	6	1077470	D77KA77-12	1/8" perf.	135.10	1102044	F77GA102	5.80
77F-D	8	1077471	D77LA77-12	1/8" perf.	436.30	1102099	F77HA102	20.90
77F-D	10	1077334	D77MA77-19	3/16" perf.	1100.10	1102100	F77JA102	13.40
77F-D	12	1077345	D77NA77-19	3/16" perf.	900.10	1102218	F77KD102	20.90
Series 88S (1/4" - 2")								
88S	1/4"- 3/8"	1077099	88YC77-06	1/16" perf.	\$33.40	1102101	F77KA102	22.90
88S	1/2"	1077110	88AC77-06	1/16" perf.	27.30	1102103	F77LA102	32.20
88S	3/4"	1077121	88BC77-06	1/16" perf.	14.50	1102111	F77MA102	45.50
88S	1"	1077132	88CC77-06	1/16" perf.	133.40	1102219	F77NA102	72.30
88S	1 1/4"	1077143	88DC77-06	1/16" perf.	74.50	1101148	88YA101	\$3.80
88S	1 1/2"	1077154	88EC77-06	1/16" perf.	25.30	1101149	88AA101	7.80
88S	2"	1077165	88FC77-06	1/16" perf.	138.90	1101151	88BA101	9.30
						1101152	88CA101	14.60
						1101153	88DA101	14.60
						1101515	88FA101	29.90
						1101515	88FA101	29.90

Series 777SI, S777SI Strainers

Sizes 3/8" – 3"

Strainer Plugs (Fortune)

When ordering specify Ordering Code, Kit No., and Valve Size.

SERIES	SIZE (in.)	PLUG ORDERING CODE	PART NO.	LIST PRICE
777SI	3/8"	0899100	RK 777SI-Plug	\$11.10
777SI	1/2"	0899101	RK 777SI-Plug	11.10
777SI	3/4"	0899102	RK 777SI-Plug	11.10
777SI	1"	0899103	RK 777SI-Plug	18.65
777SI	1 1/4"	0899104	RK 777SI-Plug	18.65
777SI	1 1/2"	0899105	RK 777SI-Plug	29.00
777SI	2"	0899106	RK 777SI-Plug	45.15
777SI	2 1/2"	0899107	RK 777SI-Plug	45.45
777SI	3"	0899108	RK 777SI-Plug	45.45

Series 1156F

Feed Water Pressure Regulators

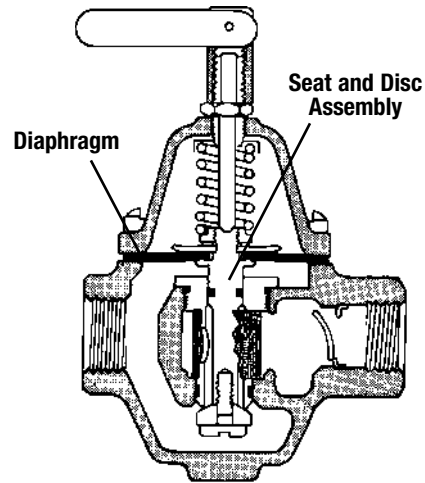
Size 1/2"

Repair Kits

When ordering specify Ordering Code, Kit No., and Valve Size.

ORDERING CODE	KIT NO.	SIZE (in.)	LIST PRICE
0884390	1156FRK	1/2"	\$38.60

Kit for 1156F includes all items shown at right.



Replacement Parts

SIZE	SERIES	UNION NUT ORDERING CODE	PART NO.	LIST PRICE	UNION TAILPIECE ORDERING CODE	PART NO.	LIST PRICE	UNION GASKET ORDERING CODE	PART NO.	LIST PRICE
T1156F, S1156F SERIES										
1/2"	T1156F/TB1156F	1140004	35A140	\$5.70	1139886	135A139 LL	\$6.20	1102033	56CB102-1	\$0.60
1/2"	S1156F/SB1156F	1140122	35A140-S	\$4.40	1139329	N45AA139-S	\$4.20	1102033	56CB102-1	\$0.60

Series 2000

Flow Checks

Sizes 3/4" – 3"

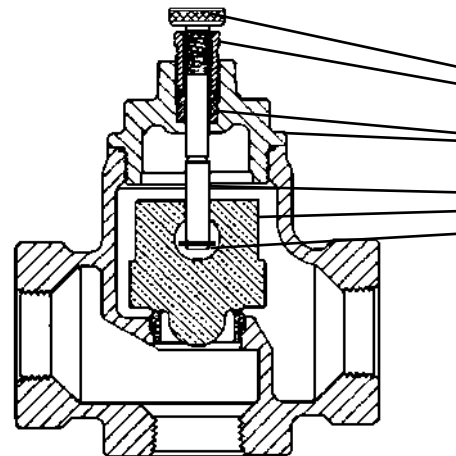
Repair Kits

When ordering specify Ordering Code, Kit No., and Valve Size.

ORDERING CODE	KIT NO.	VALVE SERIES	SIZE (in.)	LIST PRICE
0856765	2000 M5-RK	All Models*	3/4"	\$57.75
0856765	2000 M5-RK	All Models	1"	57.75
0856766	2000 M5-RK	All Models	1 1/4"	61.15
0885431	2000 M5-RK	All Models	1 1/2"-2"	156.80
0885433	2000 M5-RK	All Models	2 1/2"-3"	222.60
0856767	2000S M5-RK	All Models	3/4"	44.65
0856768	2000S M5-RK	All Models	1"	47.45

Kit for 2000 Series consists of Bonnet Assembly, Disc and Gasket/O-rings.

*For 2000-M3 3/4" use Ordering Code No. 0856767



Kit includes:
Bonnet Disc
Assembly and
Gasket O-Ring.

Series 142, 144

Process Boiler Water Feeders

Size 1/2"

Repair Kits

When ordering specify Ordering Code, Kit No., and Valve Size.

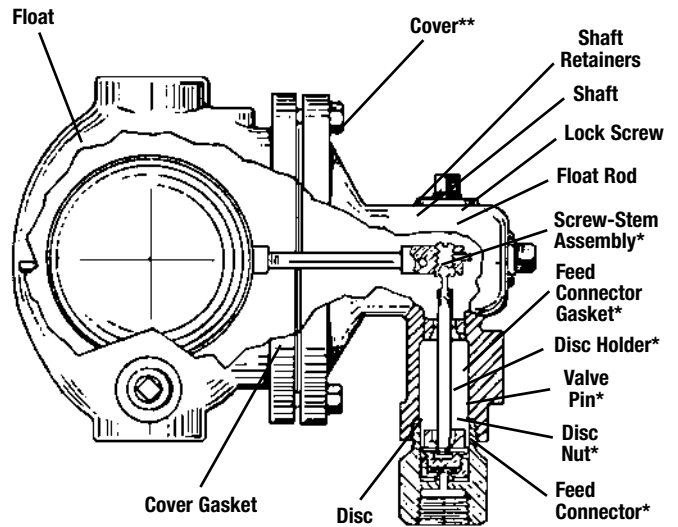
ORDERING CODE	PART NO.	DESCRIPTION	LIST PRICE
0889224	142FA-RK	Feed Assembly	\$87.75
0268911	144FA-RK	Feed Assembly	87.75

Replacement Parts

ORDERING CODE	PART NO.	DESCRIPTION	LIST PRICE
0889223	142 Float RK	Float	\$69.00
1002089	142A2**	Cover**	353.40
1011008	142A11	Shaft Retainers	4.60
1012002	142A12	Shaft	5.00
1024040	10-32 x 1/4"	Lock Screw	1.10
1009007	142A9	Float Rod	26.30
1049028	SA142A49*	Screw-Stem Assembly*	38.00
1101049	3 3/4" x 4 1/2" x 1/32"	Cover Gasket	6.00
1102003	56CB102	Feed Connector Gasket	1.10
1038007	142A38	Disc Holder	16.30
1033020	142A33	Disc Nut	5.40
1037113	142A37	Disc	2.90
1003318	142A3	Feed Connector	47.30
1002092	144A2	Cover	364.00

**Model. 142 and 144 parts are interchangeable except for feed assembly and cover:

*Complete Feed Assembly includes ALL items marked



Series N50, N89

Low Water Cut-Offs

Size 1"

Repair Kits

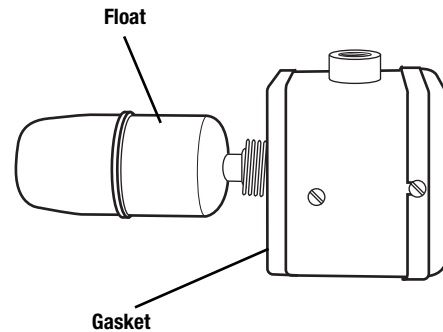
When ordering specify Ordering Code, Kit No., and Valve Size.

ORDERING CODE	PART NO.	DESCRIPTION	SIZE (in.)	LIST PRICE
0889221	N50 Float Kit	N50	ALL	\$64.25
0889222	N89 Float Kit	N89	ALL	41.65

Gasket Only

ORDERING CODE	PART NO.	DESCRIPTION	SIZE (in.)	LIST PRICE
1101062	151M101	N50	ALL	\$7.00
1101047	89A101	N89	ALL	4.30

Kits consist of Float and Gasket



Series FS10-FS20

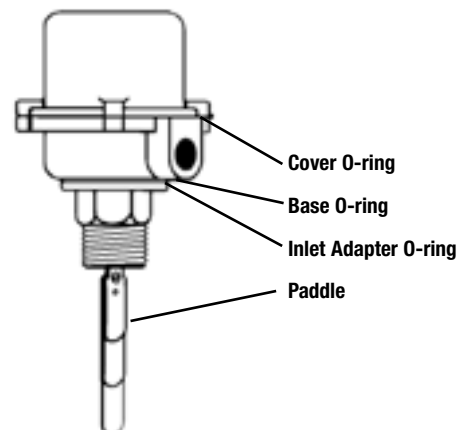
Flow Switches

Size 1"

Replacement Parts

When ordering specify Ordering Code, Kit No., and Valve Size.

ORDERING CODE	KIT NO.	VALVE SERIES	DESCRIPTION	LIST PRICE
0863094	FS10-3-1 RK	FS10, FS20	3-1 Paddle	\$15.40
0863090	FS10-6 RK	FS10, FS20	6" Paddle	11.50
0863095	FS10-R RK	FS10	Inlet Adapter O-ring	4.05
0863096	FS20-R RK	FS20	Inlet adapter, Base and Cover O-rings	5.10



Series 1170, 1170-M2

Hot Water Temperature Control Valves

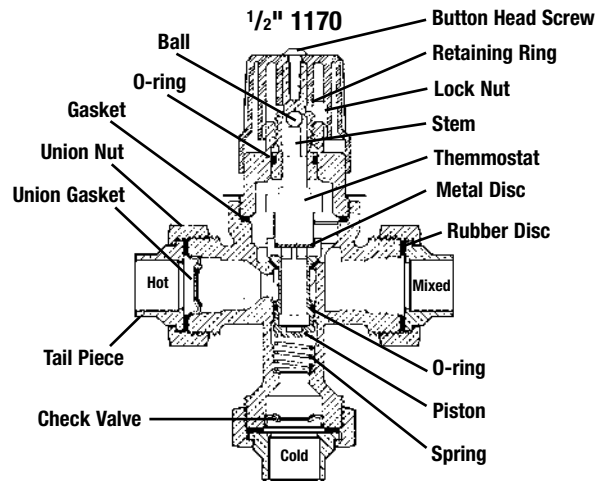
Sizes 1/2" – 1"

Repair Kits

When ordering specify Ordering Code, Kit No., and Valve Size.

SIZE (in.)	PART NO.	ORDERING CODE	LIST PRICE
1/2"	1170-RK	0861002	\$35.80
1/2"	L1170-RK	0858600	35.80

Kit for 1170, L1170 includes spring, Gaskets, ball thermostat, metal disc, piston, O-rings, rubber disc.

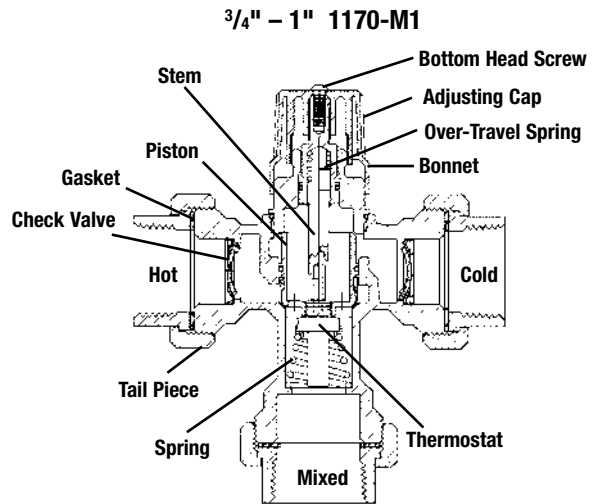


Repair Kits

When ordering specify Ordering Code, Kit No., and Valve Size.

SIZE (in.)	PART NO.	ORDERING CODE	LIST PRICE
3/4", 1"	1170M1-RK	0858601	\$39.90
3/4", 1"	L1170M1-RK	0858602	39.90

Kit for 1170-M1, L1170-M1 includes spring, Gaskets, thermostat, piston, O-rings.



Repair Kits

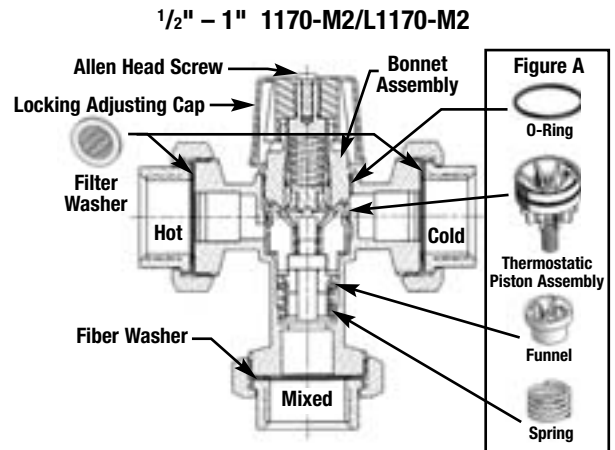
When ordering specify Ordering Code, Kit No., and Valve Size.

SIZE (in.)	PART NO.	ORDERING CODE	LIST PRICE
1/2"-1"	1170-M2 RK	0858603	\$39.90
1/2"-1"	L1170-M2 RK	0858604	39.90

Kit for 1170-M2, L1170-M2 includes items at right labeled figure A

1170-M2, L1170-M2 Replacement Parts

ADJUSTING CAP			ADJUSTING CAP		
ORDERING CODE	PART NO.	LIST PRICE	SCREW ORDERING CODE	PART NO.	LIST PRICE
2054379	1170CA54	12.30	1024591	1170CA24	\$2.20



Replacement Parts

When ordering specify Ordering Code, Kit No., and Valve Size.

SIZE (in.)	SERIES	UNION NUT			UNION TAILPIECE			UNION GASKET			UNION FILTER WASHER		
		ORDERING CODE	PART NO.	LIST PRICE	ORDERING CODE	PART NO.	LIST PRICE	ORDERING CODE	PART NO.	LIST PRICE	ORDERING CODE	PART NO.	LIST PRICE
1/2"	1170-UT M2	1140004	35A140	\$5.70	1139886	135A139 LL	\$6.20	1102033	56CB103-1	\$0.60	1077922	1170AA77	\$1.30
1/2"	1170-US M2	1140122	35A140-S	4.40	1139329	N45AA139-S	4.20	1102033	56CB103-1	0.60	1077922	1170AA77	1.30
3/4"	1170-UT M2	1140006	35B140	10.60	1139887	135B139 LL	9.30	1103036	35B103-1	1.60			
3/4"	1170-US M2	1140120	35B140-S	10.40	1139330	N45BA139-S	7.40	1103036	35B103-1	1.60			
1"	1170-UT M2	1140015	35C140-1	14.30	1139889	135C139 LL	16.10	1203003	35C103	3.30			
1"	1170-US M2	1140121	35C140-1-S	14.50	1139331	N45CA139-S	10.10	1203003	35C103	3.30			

6 Tempering valves

Series MMV, MMV-M1

Thermostatic Mixing Valves

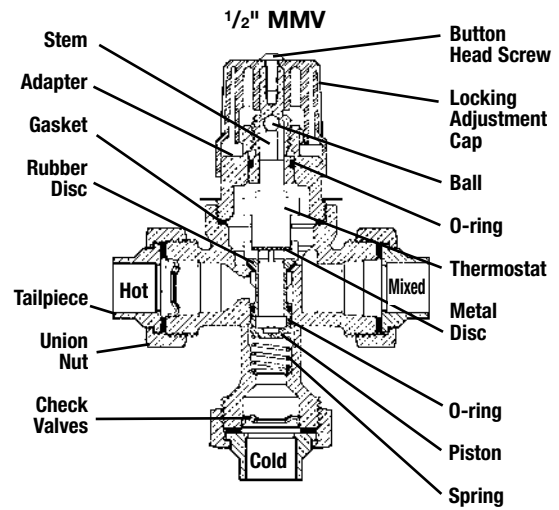
Sizes 1/2" - 1"

Repair Kits

When ordering specify Ordering Code, Kit No., and Valve Size.

SIZE (in.)	SERIES	ORDERING CODE	PART NO.	LIST PRICE
1/2"	MMV-UT/US	0861000	MMV-RK	\$39.90

Kit for 1/2 MMV-UT/US includes spring, Gaskets, ball, thermostat, metal disc, piston, O-rings, rubber disc.

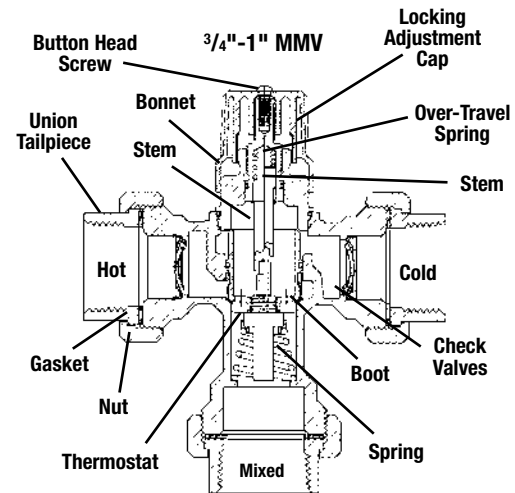


Repair Kits

When ordering specify Ordering Code, Kit No., and Valve Size.

SIZE (in.)	SERIES	ORDERING CODE	PART NO.	LIST PRICE
3/4"-1"	MMV-UT/US	0861001	MMV-RK	\$43.70

Kit for 3/4" -1" MMV-UT/US includes spring, Gaskets, ball, thermostat, metal disc, piston.



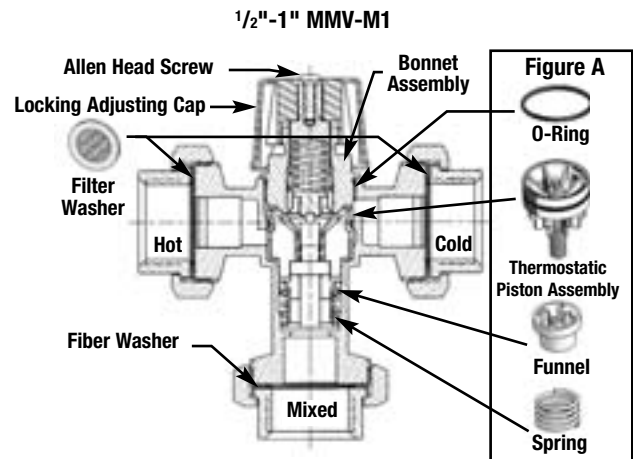
Repair Kits

When ordering specify Ordering Code, Kit No., and Valve Size.

SIZE (in.)	SERIES	ORDERING CODE	PART NO.	LIST PRICE
1/2"-1"	MMV-M1	0861008	MMV-M1-RK	\$44.10

MMV-M1 Replacement Parts

ADJUSTING CAP ORDERING CODE	PART NO.	LIST PRICE	ADJUSTING CAP SCREW ORDERING CODE	PART NO.	LIST PRICE
2054380	1170CA54-MMV	12.30	1024591	1170CA24	\$2.20



SIZE (IN.)	SERIES	UNION NUT			UNION TAILPIECE			UNION GASKET			UNION FILTER WASHER		
		ORDERING CODE	PART NO.	LIST PRICE	ORDERING CODE	PART NO.	LIST PRICE	ORDERING CODE	PART NO.	LIST PRICE	ORDERING CODE	PART NO.	LIST PRICE
1/2"	MMV-UT M1	1140004	35A140	\$5.70	1139886	135A139 LL	\$6.20	1102033	56CB103-1	\$0.60	1077922	1170AA77	\$1.30
1/2"	MMV-US M1	1140122	35A140-S	4.40	1139329	N45AA139-S	4.20	1102033	56CB103-1	0.60	1077922	1170AA77	1.30
3/4"	MMV-UT M1	1140006	35B140	10.60	1139887	135B139 LL	9.30	1103036	35B103-1	1.60			
3/4"	MMV-US M1	1140120	35B140-S	10.40	1139330	N45BA139-S	7.40	1103036	35B103-1	1.60			
1"	MMV-UT M1	1140015	35C140-1	14.30	1139889	135C139 LL	16.10	1203003	35C103	3.30			
1"	MMV-US M1	1140121	35C140-1-S	14.50	1139331	N45CA139-S	10.10	1203003	35C103	3.30			



Tempering Valves

Series USG-B, USG-P

Under Sink Guardian™

Size 3/8"

Repair Kits

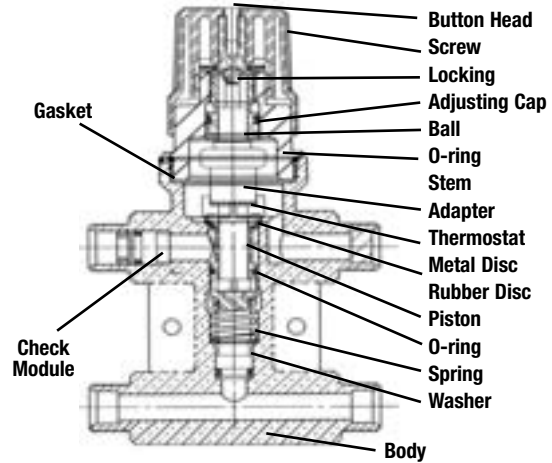
When ordering specify Ordering Code, Kit No., and Valve Size.

SIZE (in.)	SERIES	ORDERING CODE	PART NO.	LIST PRICE
3/8"	USG-B	0861010	USG-B-RK	\$50.45

Kit for USG-B includes spring, thermostat, ball, metal disc, piston, O-ring, rubber disc.

Replacement Parts

ADJUST CAP ORDERING CODE	PART NO.	LIST PRICE	COVER SCREW ORDERING CODE	PART NO.	LIST PRICE
2054171	MMV1AA54	\$12.30	1024469	MMV1AA24	\$2.20



Series 70A

Hot Water Extender Tempering Valves

Sizes 1/2" - 3/4"

Repair Kits

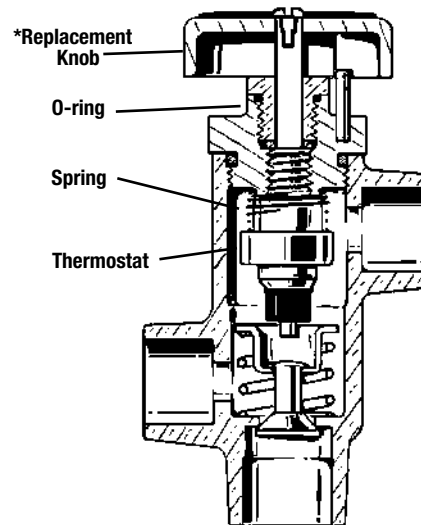
When ordering specify Ordering Code, Kit No., and Valve Size.

ORDERING CODE	KIT NO.	VALVE SERIES	SIZE (in.)	LIST PRICE
0869100	70A RK	70A, 70AF	1/2" - 3/4"	\$30.65
0869130	L70A RK	L70A, L70AF	1/2" - 3/4"	32.55

Kit No. 70A, L70A, includes parts shown at right

*REPLACEMENT KNOB, not included in kit.

Part No. 70A54P-CAP-List Price \$1.00 1053017



*WARNING

WATTS HOT WATER EXTENDER TEMPERING VALVES CANNOT BE USED FOR TEMPERING WATER TEMPERATURE AT FIXTURES. SEVERE BODILY INJURY, i.e., SCALDING OR CHILLING, AND/OR DEATH MAY RESULT DEPENDING UPON SYSTEM WATER PRESSURE CHANGES AND/OR SUPPLY WATER TEMPERATURE CHANGES. DEVICES TESTED TO ASSE STANDARD 1016 SHOULD BE USED AT FIXTURES TO PREVENT POSSIBLE INJURY.

The WATTS hot water tempering valves are designed to be installed at or near the boiler or hot water heater. They are not designed to compensate for system pressure and/or temperature fluctuations and should not be used where ASSE standard 1016 devices are required. These WATTS valves should never be used to provide "anti-scald" or "anti-chill" service.

The N170L-M2 and L1170-M2 (low temperature) model may be used in a radiant heat application; other models of this valve must not be used in radiant heat applications. When installing these valves in a radiant heat application, the components of the radiant heat system must be of materials with a construction capable of withstanding the high limit output temperatures of the heating boiler. If you are uncertain as to the product's adaptability for your application, please consult an authorized representative before installing or using the product.

Series N170-M2

Hot Water Extender Tempering Valves

Sizes 3/4" - 2"

Repair Kits

When ordering specify Ordering Code, Kit No., and Valve Size.

ORDERING CODE	KIT NO.	VALVE SERIES	SIZE (in.)	LIST PRICE
0877075	N170-CRK-M2	N170-M1-M2	3/4"-1"	\$180.40
0877076	N170L-CRK-M2	N170L-M1-M2	3/4"-1"	180.40
0877077	N170-FRK-M2	N170-M1-M2	1 1/4"-2"	197.15
0877079	N170-FLRK-M2	N170L-M1-M2	1 1/4"-2"	197.15

High Temperature Repair Kits

0877080	RK N170M2 H	N170-M2	3/4"-1"	\$180.40
0877081	RK N170M2 H	N170-M2	1 1/4"-2"	197.15

Kits includes Figures A, B, and C at right

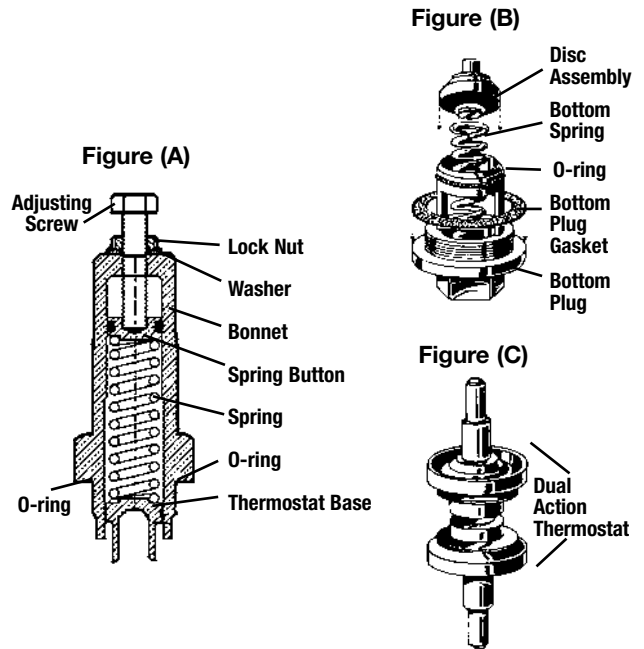
Replacement Parts

*Thermostat Only

ORDERING CODE	KIT NO.	VALVE SERIES	SIZE (in.)	LIST PRICE
0877067	N170-STAT-RK-M2	N170-M2 (Only)	ALL	\$93.85
0877068	N170L-STAT-RK-M2	N170L-M2 (Only)	ALL	93.85

Kit includes Figure C at right

*Separate Thermostat available for model N170-M2-N170L-M2 only.

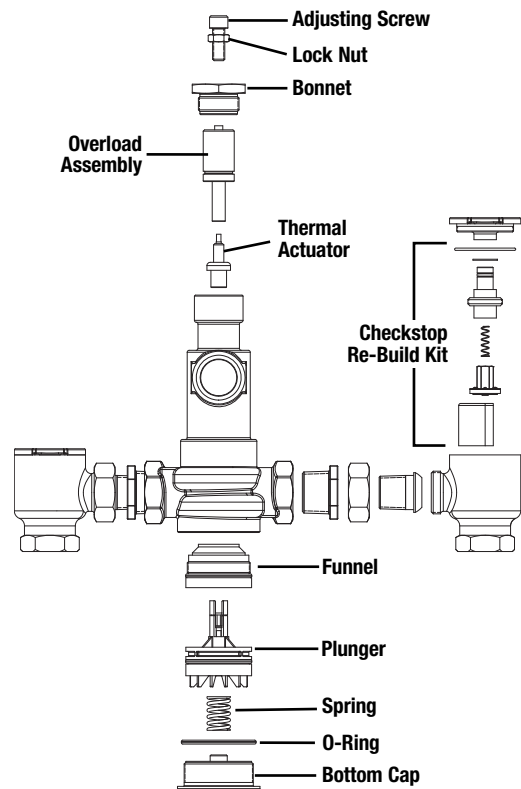


Series N170-M3, N170-M3 CSUT

Master Mixing Valves

When ordering specify Ordering Code, Kit No., and Size.

SIZE (in)	KIT NO.	ORDERING CODE	PARTS INCLUDED	LIST PRICE
3/4 - 1	3/4-1 N170-RK-M3	0887480	Adjusting Screw, Bonnet, Thermal Actuator, Locknut, Plunger, Spring, O-Ring	\$50.60
1-1/4 - 2	1-1/4-2 N170-RK-M3	0887483	Adjusting Screw, Bonnet, Thermal Actuator, Locknut, Plunger, Spring, O-Ring	80.95
3/4 - 1	3/4-1 N170-FN-RK-M3	0887481	Funnel	130.10
1-1/4 - 2	1-1/4-2 N170-FN-RK-M3	0887484	Funnel	146.00
3/4 - 1	3/4-1 N170-ST-RK-M3	0887482	Stop Replacement Kit	65.15
1-1/4 - 2	1-1/4-2 N170-ST-RK-M3	0887485	Stop Replacement Kit	75.20



Series 2

Washing Machine Water Shutoff Valves

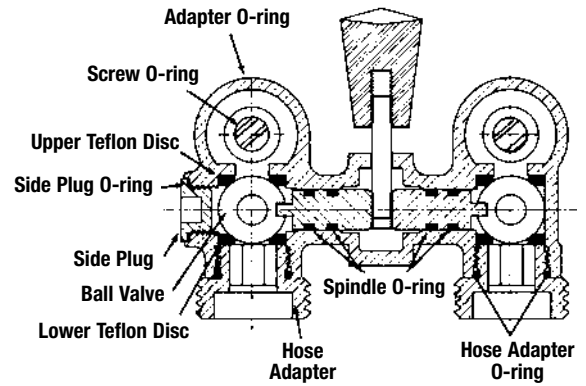
Size 1/2"

Repair Kits

When ordering specify Ordering Code, Kit No., and Valve Size.

ORDERING CODE	KIT NO.	MODELS	SIZE (in.)	LIST
0862000	2-M2-RK	2-M1-2T-M1 2-M2-2T-M2	1/2"	\$15.80

Kit for Series 2 consists of: 1-Side Plug O-ring 4-Teflon Discs 2-Spindle O-rings
2-Adapter O-rings 2-Adapter Screw O-rings
Model identification shown on body casting.



Series N36

Vacuum Relief Valves

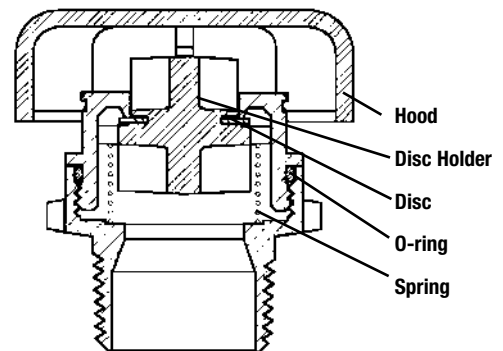
Sizes 1/2" - 3/4"

Repair Kits

When ordering specify Ordering Code, Kit No., and Valve Size.

ORDERING CODE	KIT NO.	VALVE SERIES	SIZE (in.)	LIST PRICE
0138454	N36-RK	N36	1/2" - 3/4"	\$13.15
0138461	N36-M1-RK	N36-M1	1/2" - 3/4"	13.15

Kit for N36 consists of parts shown at right



Governor 80, 80M1

Ball Cock & Relief

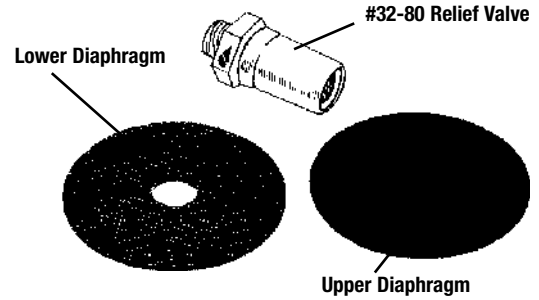
Sizes 10", 11¹/₂" and 12¹/₂"

Repair Kits

When ordering specify Ordering Code, Kit No., and Valve Size.

ORDERING CODE	KIT NO.	SIZE (in.)	LIST PRICE
0721475	Gov. 80-RK/Gov. 80M1-RK	ALL	\$33.05

Kits consists of parts shown at right



Series A200

Trap Primers

Size 1/2"

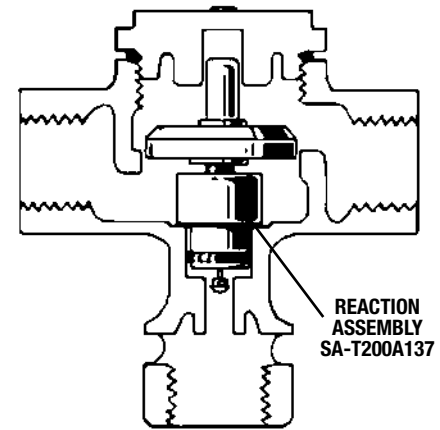
Repair Kits

When ordering specify Ordering Code, Kit No., and Valve Size.

ORDERING CODE	KIT NO.	VALVE SERIES	SIZE (in.)	LIST PRICE
0877070	A200RK	A200	1/2"	\$19.15

T20RK includes parts shown at right

Reaction Assembly consists of Disc, Trap Disc, Trap Seat and Closing Disc.



7

Plumbing Specialties

Series HB-1

Boiler Drains

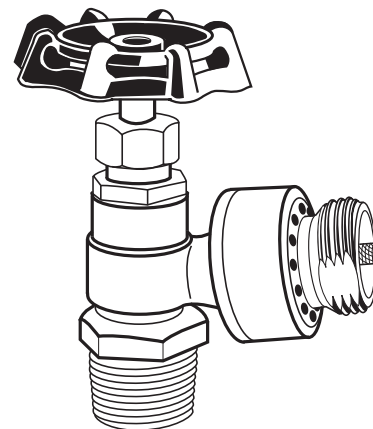
Sizes 1/2" – 3/4"

Repair kits

When ordering specify Ordering Code, Kit No., and Valve Size.

ORDERING CODE	KIT NO.	VALVE SERIES	SIZE (in.)	LIST PRICE
0035015	HB-1 RK	HB-1	ALL	\$15.85

Kit for HB-1 consists of Vacuum Breaker Body, Diaphragm Assembly and Gasket



Series FH-M1, FHV, FHB

Frost-Proof Wall Hydrants

Sizes 1/2" x 1/2", 3/4" x 1/2" and 3/4" x 3/4"

Repair Kits

When ordering specify Ordering Code, Kit No., and Valve Size.

ORDERING CODE	KIT NO.	VALUE SERIES	SIZE (in.)	LIST PRICE
0723061	FHB-RK	FHB	ALL	\$10.55
0723064	FHB-V-RK	FHB	ALL	9.55
0723126	FH-M1-RK	FH-M1	ALL	5.25

Kit FHB-RK consists of all parts shown below**

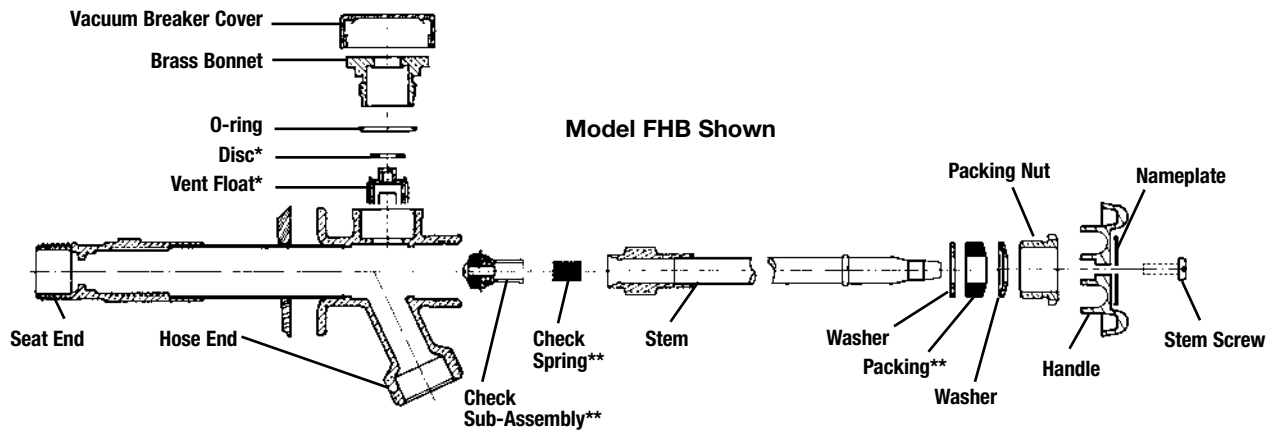
Kit FHB-V-RK consists of all parts shown below*

Kit FH-M1-RK consists of O-ring, Gland and Stem Packing, disc and disc screw

Handle Kits

ORDERING CODE	KIT NO.	VALUE SERIES	SIZE (in.)	LIST PRICE
0723060	FHV-HK	FHV-FH	ALL	\$4.70
0723063	FHB-HK	FHB	ALL	5.45
0723127	FH-M1-HK	FH-M1	ALL	4.70

Kit consists of handle and handle screw/nut



*Supplied with RK-FHB-V (1/2", 3/4")

**Supplied with RK-FHB (1/2", 3/4")

Series HY42

Commercial Wall Hydrants

Sizes 4" – 18"

Repair Kits

When ordering specify Ordering Code, Kit No., and Valve Size.

ORDERING CODE	KIT NO.	VALUE SERIES	SIZE (in.)	LIST PRICE
0723201	HY-420 CIA RK	HY42	ALL	\$106.75



Dielectric unions

Series 3000

Dielectric Unions

Sizes 1/2" – 4"

Gasket and Insulator Kits

When ordering specify Ordering Code, Kit No., and Valve Size.



ORDERING CODE	KIT NO.	VALVE SERIES	SIZE (in.)	LIST PRICE
---------------	---------	--------------	------------	------------

Model GA Gasket Kits (2 GA Gaskets per Kit)

0881400	GA-A	3001	1/2"	\$2.05
0881400	GA-A	3002	1/2"	2.05
0881400	GA-A	3005	1/2"	2.05
0881400	GA-A	3007	1/2"	2.05
0881401	GA-B	3001	3/4"	2.05
0881401	GA-B	3005	3/4"	2.05
0881401	GA-B	3003	1/2"	2.05
0881401	GA-B	3004	1/2"	2.05
0881401	GA-B	3006	1/2"	2.05
0881401	GA-B	3007	3/4"	2.05
0881401	GA-B	3008	1/2"	2.05
0881402	GA-C	3001	1"	2.50
0881402	GA-C	3002	1"	2.50
0881403	GA-D	3001	1 1/4"	3.15
0881404	GA-E	3001	1 1/2"	3.35
0881405	GA-F	3001	2"	4.60
0881406	GA-G	3002	3/4"	2.10
0881407	GA-H	3003	3/4"	2.35
0881407	GA-H	3004	3/4"	2.35
0881407	GA-H	3006	3/4"	2.35
0881407	GA-H	3008	3/4"	2.35
0881408	GA-J	3003	1"	2.50
0881408	GA-J	3004	1"	2.50
0881408	GA-J	3006	1"	2.50
0881408	GA-J	3008	1"	2.50
0881409	GA-K	3003	1 1/4"	3.55
0881409	GA-K	3004	1 1/4"	3.55
0881409	GA-K	3006	1 1/4"	3.55
0881410	GA-L	3003	1 1/2"	5.15
0881410	GA-L	3004	1 1/2"	5.15
0881410	GA-L	3006	1 1/2"	5.15
0881411	GA-M	3003	2"	6.20
0881411	GA-M	3004	2"	6.20
0881411	GA-M	3006	2"	6.20
0889130	GA-N	3100	2"	14.10
0889130	GA-N	3200	2"	14.10
0881414	GA-P	3100	2 1/2"	15.25
0881414	GA-P	3200	2 1/2"	15.25
0881415	GA-Q	3100	3"	17.30
0881415	GA-Q	3200	3"	17.30
0881416	GA-R	3100	4"	15.25
0881416	GA-R	3200	4"	15.25

GA Gasket - Standard

For use with water, air, oil, natural gas, propane, gasoline, kerosene, mineral oil, vegetable oil, alkalines.

ORDERING CODE	KIT NO.	VALVE SERIES	SIZE (in.)	LIST PRICE
---------------	---------	--------------	------------	------------

Model GB Gasket Kits (2 GB Gaskets per Kit)

0881425	GB-A	3001	1/2"	\$4.75
0881425	GB-A	3002	1/2"	4.75
0881425	GB-A	3005	1/2"	4.75
0881425	GB-A	3007	1/2"	4.75
0881426	GB-B	3001	3/4"	5.30
0881426	GB-B	3005	3/4"	5.30
0881426	GB-B	3003	1/2"	5.30
0881426	GB-B	3004	1/2"	5.30
0881426	GB-B	3006	1/2"	5.30
0881426	GB-B	3007	3/4"	5.30
0881426	GB-B	3008	1/2"	5.30
0881427	GB-C	3001	1"	6.15
0881427	GB-C	3002	1"	6.15
0881428	GB-D	3001	1 1/4"	8.65
0881429	GB-E	3001	1 1/2"	10.85
0881430	GB-F	3001	2"	17.10
0881431	GB-G	3002	3/4"	5.30
0881432	GB-H	3003	3/4"	5.30
0881432	GB-H	3004	3/4"	5.30
0881432	GB-H	3006	3/4"	5.30
0881432	GB-H	3008	3/4"	5.30
0881433	GB-J	3003	1"	6.15
0881433	GB-J	3004	1"	6.15
0881433	GB-J	3006	1"	6.15
0881433	GB-J	3008	1"	6.15
0881434	GB-K	3003	1 1/4"	8.65
0881434	GB-K	3004	1 1/4"	8.65
0881434	GB-K	3006	1 1/4"	8.65
0881435	GB-L	3003	1 1/2"	10.85
0881435	GB-L	3004	1 1/2"	10.85
0881435	GB-L	3006	1 1/2"	10.85
0881436	GB-M	3003	2"	17.10
0881436	GB-M	3004	2"	17.10
0881436	GB-M	3006	2"	17.10
0881437	GB-N	3100	2"	16.40
0881437	GB-N	3200	2"	16.40
0881439	GB-P	3100	2 1/2"	19.10
0881439	GB-P	3200	2 1/2"	19.10
0881442	GB-Q	3100	3"	20.40
0881442	GB-Q	3200	3"	20.40
0881441	GB-R	3100	4"	32.00
0881441	GB-R	3200	4"	32.00

GB Gasket - Optional

For use with steam to 300°F.

ORDERING CODE	KIT NO.	VALVE SERIES	SIZE (in.)	LIST PRICE
---------------	---------	--------------	------------	------------

Insulator Kits (2 Insulators per Kit)

0881450	INK-A	3001	1/2"	\$2.15
0881450	INK-A	3002	1/2"	2.15
0881450	INK-A	3002	3/4"	2.15
0881450	INK-A	3005	1/2"	2.15
0881450	INK-A	3007	1/2"	2.15
0881451	INK-B	3001	3/4"	2.15
0881451	INK-B	3005	3/4"	2.15
0881451	INK-B	3003	1/2"	2.15
0881451	INK-B	3004	1/2"	2.15
0881451	INK-B	3006	1/2"	2.15
0881451	INK-B	3007	3/4"	2.15
0881451	INK-B	3008	1/2"	2.15
0881452	INK-C	3001	1"	2.35
0881452	INK-C	3002	1"	2.35
0881452	INK-C	3003	3/4"	2.35
0881452	INK-C	3004	3/4"	2.35
0881452	INK-C	3006	3/4"	2.35
0881452	INK-C	3008	3/4"	2.35
0881453	INK-D	3003	1"	2.35
0881453	INK-D	3004	1"	2.35
0881453	INK-D	3006	1"	2.35
0881453	INK-D	3001	1 1/4"	2.35
0881453	INK-D	3008	1"	2.35
0881454	INK-E	3001	1 1/2"	2.90
0881455	INK-F	3003	1 1/2"	3.55
0881455	INK-F	3004	1 1/2"	3.55
0881455	INK-F	3006	1 1/2"	3.55
0881455	INK-F	3001	2"	3.55
0881456	INK-G	3003	1 1/4"	2.90
0881456	INK-G	3004	1 1/4"	2.90
0881456	INK-G	3006	1 1/4"	2.90
0881457	INK-H	3003	2"	3.55
0881457	INK-H	3004	2"	3.55
0881457	INK-H	3006	2"	3.55

Flanged Dielectric (8 Insulators per Kit)

0889170	INK-J	3100	2"	\$17.85
0889170	INK-J	3100	2 1/2"	17.85
0889170	INK-J	3100	3"	17.85
0889170	INK-J	3100	4"	17.85
0889170	INK-J	3200	2"	17.85
0889170	INK-J	3200	2 1/2"	17.85
0889170	INK-J	3200	3"	17.85
0889170	INK-J	3200	4"	17.85

Notes

For Technical Assistance Call Your Authorized Watts Representative.

			Telephone	E-mail
	HEADQUARTERS: Watts Regulator Company	815 Chestnut St., North Andover, MA 01845-6098 U.S.A.	978 688-1811	watts@wattswater.com
North East	Edwards, Platt & Deely, Inc.	277 Royal Ave., Hawthorne, NJ 07506	973 427-2898	p044@watts.com
	Edwards, Platt & Deely, Inc.	368 Wyandanch Ave., North Babylon, NY 11703	631 253-0600	p073@watts.com
	Vernon Bitzer Associates, Inc.	980 Thomas Drive, Warminster, PA 18974	215 443-7500	P009@watts.com
	W. P. Haney Company, Inc.	51 Norfolk Ave., South Easton, MA 02375	508 238-2030	p088@watts.com
Mid Atlantic	Disney McLane & Associates	428 McGregor Ave., Cincinnati, OH 45206	800 542-1682	p017@watts.com
	J. B. O'Connor Company, Inc.	P.O. Box 12927, Pittsburgh, PA 15241	724 745-5300	p047@watts.com
	RMI	2533 Mechanicsville Tpk., Richmond, VA 23223	804 643-7355	rmi@ricmrk.com
	The Joyce Agency, Inc.	8442 Alban Rd., Springfield, VA 22150	703 866-3111	p069@watts.com
	WMS Sales, Inc. (Main office)	9580 County Rd., Clarence Center, NY 14032	716 741-9575	p091@watts.com
South East	Billingsley & Associates, Inc.	2728 Crestview Ave., Kenner, LA 70062-4829	504 602-8100	p013@watts.com
	Billingsley & Associates, Inc.	478 Cheyenne Lane, Madison, MS 39110	601 856-7565	ckenny@billingsley.com
	Francisco J. Ortiz & Co., Inc.	Charlyn Industrial Pk., Road 190 KM1.9 - Lot #8, Carolina, Puerto Rico 00983	787 769-0085	p029@watts.com
	Mid-America Marketing, Inc.	203 Industrial Drive, Birmingham, AL 35211	205 879-3469	p032@watts.com
	Mid-America Marketing, Inc.	2611 Grandview Avenue, Nashville, TN 37211	615 259-9944	john@midamericamktg.com
	Mid-America Marketing, Inc.	5466 Old Hwy. 78, Memphis, TN 38118	901 795-0045	sales@midamericamktg.com
	Smith & Stevenson Co., Inc.	4935 Chastain Ave., Charlotte, NC 28217	704 525-3388	p003@watts.com
	Harry Warren, Inc.	1400 North Orange Blossom Trail, Orlando, FL 32804	407 841-9237	p071@watts.com
	Watts Georgia	2861-B Bankers Industrial Drive, Atlanta, GA 30360	770 209-3310	p059@watts.com
North Central	Dave Watson Associates	1325 West Beecher, Adrian, MI 49221	517 263-8988	p085@watts.com
	Mid-Continent Marketing Services Ltd.	1275 Lakeside Drive, Romeoville, IL 60446	630 953-1211	p072@watts.com
	Soderholm & Associates, Inc.	7150 143rd Ave. N.W., Anoka, MN 55303	763 427-9635	company@soderholmrep.com
	Stickler & Associates	203 S. Curtis Road, Milwaukee, WI 53214	414 771-0400	sales@sticklerassociates.com
South Central	Hugh M. Cunningham, Inc.	13755 Benchmark, Dallas, TX 75234	972 888-3808	p031@watts.com
	Sandia Group, Inc.	3167 San Mateo #308, Albuquerque, NM 87110	800 339-0191	p031@watts.com
	Mack McClain & Associates, Inc.	4407 Meramec Bottom, Suite G, St. Louis, MO 63129	314 894-8188	p045@watts.com
	Mack McClain & Associates, Inc.	1450 NE 69th Place, Ste. 56 Ankeny, IA 50021	515 288-0184	p049@watts.com
	Mack McClain & Associates, Inc.	15090 West 116th St., Olathe, KS 66062	913 339-6677	p083@watts.com
	OK! Sales, Inc.	214 NE 12th. St., Ste A, Moore, OK 73160	405 794-5200	oksales@coxinet.net
Western	Delco Sales, Inc.	1930 Raymer Ave., Fullerton, CA 92833	714 888-2444	sales@delcosales.com
	Delco Sales, Inc.	111 Sand Island Access Rd., Unit I-4, Honolulu, HI 96819	808 842-7900	p021@watts.com
	Fanning & Associates, Inc.	6765 Franklin St., Denver, CO 80229-7111	303 289-4191	sales@fanningandassociates.com
	Hollabaugh Brothers & Associates	6915 South 194th St., Kent, WA 98032	253 867-5040	p001@watts.com
	Hollabaugh Brothers & Associates	3028 S.E. 17th Ave., Portland, OR 97202	503 238-0313	p006@watts.com
	P I R Sales, Inc.	3050 North San Marcos Place, Chandler, AZ 85225	480 892-6000	sales@pirsales.com
	REPCOR	2455 Mercantile Drive, Ste.100, Rancho Cordova, CA 95742	916 386-2233	sales@repcor1.com
	R. E. Fitzpatrick Sales, Inc.	4109 West Nike Dr. (8250 South), West Jordan, UT 84088	801 282-0700	p007@watts.com
Canada	Watts Water Technologies (Canada) Inc.	5435 North Service Road, Burlington, Ontario L7L 5H7	905 332-4090	info@wattscanada.ca
	Con-Cur West Marketing, Inc.	71B Clipper Street, Coquitlam, British Columbia V3K 6X2	604 540-5088	dconte@concurwest.com
	D.C. Sales Ltd.	#13-6130 4th St. S.E., Calgary, Alberta T2H 2B6	403 253-6808	barry.graham@dcsalesltd.com
	D.C. Sales Ltd.	16726 111 Ave, Edmonton, Alberta T5M 2S6	780 496-9495	barry.graham@dcsalesltd.com
	GTA Sales Team.	Greater Toronto Area	888 208-8927	gtasales@wattscanada.ca
	Hydro-Mechanical Sales, Ltd.	3700 Joseph Howe Drive, Suite 1, Halifax, Nova Scotia B3L 4H7	902 443-2274	jeff@hydromechanical.ca
	Hydro-Mechanical Sales, Ltd.	P.O. Box 1445 (Mailing), 297 Collishaw St., Suite 7 (shipping) Moncton, New Brunswick E1C 9R2	506 859-1107	mark@hydromechanical.ca
	J.D.S. Sales Ltd.	4 Lancaster Street, St. John's, Newfoundland A1A 5P7	709 579-5771	jds@nf.sympatico.ca
	Les Ent. Roland Lajoie	6221 Marivaux, St-Leonard, QC H1P 3H6	514 328-6645	info@ent-lajoie.com
	Les Ent. Roland Lajoie	23 du Buisson, Pont Rouge, QC G3H 1X9	418 873-2500	strudel@ent-lajoie.com
	Mar-Win Agencies, Ltd.	1333 Clifton St., Winnipeg, Manitoba R3E 2V1	204 775-8194	marwin@mts.net
	Northern Mechanical Sales	P.O. Box 280 (mailing) 163 Pine St. (shipping), Garson, Ontario P3L 1S6	705 693-2715	normec@sympatico.ca
Palser Enterprises, Ltd.	P.O. Box 28136 (mailing), 1885 Blue Heron Dr., #4, London, Ontario N6H 5L9	519 471-9382	sales@palserent.com	
RAM Mechanical Marketing Inc.	905 Winnipeg Street, Regina, Saskatchewan S4R 1J1	306 525-1986	ram@accesscomm.ca	
RAM Mechanical Marketing Inc.	510 Ave M South, Saskatoon, Saskatchewan S7M 2K9	306 244-6622	info@rammarketing.ca	
Walmar Mechanical Sales	24 Gurdwara Rd., Nepean, Ontario K2E 8B5	613 225-9774	christisbrown@walmar.net	
1116	EXPORT Hdqtrs.: Watts Regulator Co.	815 Chestnut St., North Andover, MA 01845-6098 U.S.A.	978 688-1811	watts@wattswater.com



A Watts Water Technologies Company



USA: No. Andover, MA • Tel. (978) 688-1811 • Fax: (978) 794-1848 • www.watts.com
 Canada: Burlington, ON • Tel. (905) 332-4090 • Fax: (905) 332-7068 • www.wattscanada.ca