

Includes our  
**LEAD FREE\***  
product offering

# Tubing



## **Tubing Products Catalog and Price List**

*Effective May 31, 2011*

# Electronic is Green!

**For the latest Watts pricing information in  
electronic format, visit our Data Exchange at:**

[www.wattswater.com/dataexchange](http://www.wattswater.com/dataexchange)

- Download product and list price data in .csv, .pdf, .tsv, .xls and .xml formats
- Easy access to list price data for business systems
- Sign up for e-mail alerts when data is updated
- Access other Watts Water Technologies brands pricing data

	PAGE		PAGE
<b>Terms and Conditions</b>	<b>1</b>	<b>Reel Tubing Program</b>	<b>8</b>
<b>Vinyl Tubing</b>	<b>2</b>	Vinyl Tubing .....	8
Bulk Open Coil .....	2	Braided Vinyl Tubing .....	8
Coil in Cardboard Box .....	3	Tracer Hose .....	8
E-Z Dispenser Boxes .....	4	Polyethylene Tubing - Low Density .....	9
Dispenser Spools .....	4	Latex Tubing .....	9
<b>Braided Reinforced Vinyl Tubing</b>	<b>5</b>	Garden Hose .....	9
Bulk Open Coil .....	5	Air Hose .....	9
Coil in Cardboard Box .....	5	Spray Hose .....	6
E-Z Dispenser Boxes .....	5	Water Hose .....	10
Dispenser Spools .....	5	Heater Hose .....	10
<b>Polyethylene Tubing - Low Density</b>	<b>6</b>	Utility Hose .....	10
Bulk Open Coil .....	6	Polyurethane Micro Fuel Line .....	10
Cardboard Boxes .....	6	Fuel Line .....	10
E-Z Dispenser Boxes .....	6	Spa Flex Hose .....	11
Dispenser Spools .....	6	Pool & Spa Vacuum Hose .....	11
<b>Water Hose</b>	<b>7</b>	Pump & Bilge Discharge Hose .....	11
Bulk Open Coil .....	7	Flat Discharge Hose .....	11
		<b>Tubing Racks</b>	<b>12</b>
		<b>Chemical Resistance Characteristics</b>	<b>14</b>
		Milky White Tubing .....	14
		Clear Tubing .....	15

## Terms and Conditions

PL-Tubing

**FREIGHT TERMS:** All shipments are F.O.B. shipping point. Shipments from factory less than 1000 lbs. are F.O.B. factory. Factory shipments OF \$1200 and over within the continental U.S.A. will be prepaid and allowed when made at the lowest motor carrier transportation rate.

**TERMS OF SALE:** All sales are F.O.B. shipping point.

**PAYMENT TERMS:** The invoices are due and payable 30 days from the date of invoice. A 2% cash discount allowed on net amount of invoice if paid on or before the 10th of the following month. Invoices dated on or after the 25th will be considered as dated the first of the next month. Postmark on envelope will be considered date of check.

**PURCHASE ORDER FORMS:** Orders submitted on customer's own purchase order forms will be accepted only with the express understanding that no statements, clauses, or conditions contained in said order form will be binding on the Seller if they in any way modify the Seller's own terms and conditions of sales.

**STOCKING WHOLESALE MINIMUM CHARGE:** A minimum billing charge of \$100.00 applies to shipments F.O.B. factory. Orders must be in inner pack or master carton.

**SPECIAL PRODUCTS:** Orders for special or modified products are non-cancelable.

**LIMITED WARRANTY:** Watts Regulator Co. (the "Company") warrants each product to be free from defects in material and workmanship under normal usage for a period of one year from the date of original shipment. In the event of such defects within the warranty period, the Company will, at its option, replace or recondition the product without charge.

**THE WARRANTY SET FORTH HEREIN IS GIVEN EXPRESSLY AND IS THE ONLY WARRANTY GIVEN BY THE COMPANY WITH RESPECT TO THE PRODUCT. THE COMPANY MAKES NO OTHER WARRANTIES, EXPRESS OR IMPLIED. THE COMPANY HEREBY SPECIFICALLY DISCLAIMS ALL OTHER WARRANTIES, EXPRESS OR IMPLIED, INCLUDING BUT NOT LIMITED TO THE IMPLIED WARRANTIES OF MERCHANTABILITY AND FITNESS FOR A PARTICULAR PURPOSE.**

The remedy described in the first paragraph of this warranty shall constitute the sole and exclusive remedy for breach of warranty, and the Company shall not be responsible for any incidental, special or consequential damages, including without limitation, lost profits or the cost of repairing or replacing other property which is damaged if this product does not work properly, other costs resulting from labor charges, delays, vandalism, negligence, fouling caused by foreign material, damage from adverse water conditions, chemical, or any other circumstances over which the Company has no control. This warranty shall be invalidated by any abuse, misuse, misapplication, improper installation or improper maintenance or alteration of the product.

Some States do not allow limitations on how long an implied warranty lasts, and some States do not allow the exclusion or limitation of incidental or consequential damages. Therefore the above limitations may not apply to you. This Limited Warranty gives you specific legal rights, and you may have other rights that vary from State to State. You should consult applicable state laws to determine your rights. **SO FAR AS IS CONSISTENT WITH APPLICABLE STATE LAW, ANY IMPLIED WARRANTIES THAT MAY NOT BE DISCLAIMED, INCLUDING THE IMPLIED WARRANTIES OF MERCHANTABILITY AND FITNESS FOR A PARTICULAR PURPOSE, ARE LIMITED IN DURATION TO ONE YEAR FROM THE DATE OF ORIGINAL SHIPMENT.**

**SERVICE POLICY:** For inoperative products beyond the warranty period, we assume no liability for replacement of valves due to service conditions beyond our control.

**RETURNED GOODS MINIMUM CHARGE:** No material shall be returned without authorization. When credit is issued it will be at the price charged, or prevailing price if lower, less handling charges based on costs of reconditioning, boxing, etc. However, a minimum 15% handling charge will apply. A minimum handling charge of \$10.00 is applied whenever the 15% handling deduction does not total \$10.00. Products which are obsolete or made to special order are not returnable.

**NOTE:** Prices and terms are subject to change without notice and supersede all previous quotations. The right is reserved to change or modify product design or construction without prior notice and without incurring any obligation to make such changes and modifications on products previously or subsequently sold.



**C000790**

MODEL	ORDERING CODE	COLOR	I.D.	O.D.	WALL	LENGTH FT/COIL	WORKING PRESSURE (psi @ 70°F)	QTY	WEIGHT EACH	LIST PRICE
-------	---------------	-------	------	------	------	----------------	-------------------------------	-----	-------------	------------

### Bulk Open Coil

C1001	C003141	Clear	1/16	1/8	1/32	500	55	1	2.4	\$44.35
C1002	C003142	Clear	1/8	3/16	1/32	500	55	1	4.1	51.05
C1003-500	C000774	Clear	1/8	1/4	1/16	500	55	1	9.8	72.75
C1004-500	C000784	Clear	3/16	5/16	1/16	500	55	1	13.0	88.35
C1004-1	C003143	Clear	3/16	1/4	1/32	500	55	1	5.6	66.25
C1005	C003144	Clear	3/16	7/16	1/8	500	55	1	32.5	163.45
C1006-500	C000790	Clear	1/4	3/8	1/16	500	55	1	16.0	97.45
C1007	C003145	Clear	1/4	7/16	3/32	500	55	1	26.9	147.60
C1008	C003146	Clear	1/4	1/2	1/8	500	55	1	38.9	191.50
C1010	C003147	Clear	5/16	1/2	3/32	500	55	1	31.7	174.05
C1010-1	C003148	Clear	5/16	9/16	1/8	500	55	1	45.4	225.15
C1011-500	C001322	Clear	3/8	1/2	1/16	500	45	1	22.7	116.40
C1012-500	C000823	Clear	3/8	9/16	3/32	500	55	1	36.6	209.15
C1013	C003149	Clear	3/8	5/8	1/8	250	55	1	26.0	122.60
C1014	C003150	Clear	7/16	9/16	1/16	250	45	1	13.0	122.60
C1015	C003151	Clear	7/16	5/8	3/32	250	50	1	20.7	108.70
C1015-1	C003152	Clear	7/16	11/16	1/8	250	55	1	29.3	142.15
C1016	C003153	Clear	1/2	5/8	1/16	250	45	1	14.6	78.35
C1016-1-250	C001494	Clear	1/2	11/16	3/32	250	50	1	23.2	101.00
C1017-250	C001109	Clear	1/2	3/4	1/8	250	55	1	32.5	164.10
C1018	C003154	Clear	11/16	7/8	3/32	250	35	1	30.5	158.85
C1019	C003155	Clear	9/16	13/16	1/8	250	45	1	35.8	182.10
C1019-1	C003156	Clear	9/16	3/4	3/32	250	50	1	25.8	150.65
C1020	C003157	Clear	5/8	3/4	1/16	250	30	1	17.9	99.20
C1021	C003158	Clear	5/8	13/16	3/32	250	45	1	28.0	153.60
C1022	C003159	Clear	5/8	7/8	1/8	250	40	1	39.0	200.35
C1023	C003160	Clear	3/4	7/8	1/16	100	30	1	84.3	51.45
C1023-1	C003161	Clear	3/4	15/16	3/32	100	35	1	13.2	69.95
C1024-100	C001316	Clear	3/4	1	1/8	100	35	1	18.2	90.95
C1025	C001163	Clear	7/8	11/8	1/8	100	30	1	21.0	107.80
C1026-100	C001317	Clear	1	11/4	1/8	100	25	1	23.4	128.80
C1026-1	C003162	Clear	1	13/16	3/32	100	25	1	17.2	89.95
C1027	C000875	Clear	11/4	13/4	1/4	50	25	1	31.5	133.65
C1027-1	C000876	Clear	11/4	15/8	3/16	50	25	1	22.5	111.00
C1027-2	C000878	Clear	11/4	11/2	1/8	50	25	1	14.3	63.75
C1028	C001245	Clear	11/2	2	1/4	50	25	1	36.3	156.15
C1029	C000881	Clear	11/2	17/8	3/16	50	25	1	40.2	125.35

LEAD FREE\*

\*The wetted surface of this product contacted by consumable water contains less than one quarter of one percent (0.25%) of lead by weight.



**C000801**

MODEL	ORDERING CODE	COLOR	I.D.	O.D.	WALL	LENGTH FT/COIL	WORKING PRESSURE (psi @ 70°F)	QTY	WEIGHT EACH	LIST PRICE
-------	---------------	-------	------	------	------	----------------	-------------------------------	-----	-------------	------------

### Coil Packaged in a Cardboard Box

C1001A	C001142	Clear	1/16	1/8	1/32	500	55	1	3.4	\$61.55
C1002A	C000771	Clear	1/8	3/16	1/32	500	55	1	5.1	67.35
C1003A	C000775	Clear	1/8	1/4	1/16	100	55	1	3.0	17.65
C1004A	C000785	Clear	3/16	5/16	1/16	100	55	1	3.6	22.85
C1004-1A	C000781	Clear	3/16	1/4	1/32	100	55	1	2.1	16.45
C1005A	C000789	Clear	3/16	7/16	1/8	100	55	1	7.5	37.70
C1006A	C000791	Clear	1/4	3/8	1/16	100	55	1	4.2	24.05
C1007A	C000800	Clear	1/4	7/16	3/32	100	55	1	6.4	32.40
C1008A	C000801	Clear	1/4	1/2	1/8	100	55	1	7.8	41.05
C1009A	C000805	Clear	5/16	7/16	1/16	100	50	1	4.9	26.50
C1010A	C000811	Clear	5/16	1/2	3/32	100	55	1	7.3	37.85
C1010-1A	C000810	Clear	5/16	9/16	1/8	100	55	1	10.1	49.30
C1011A	C000815	Clear	3/8	1/2	1/16	100	45	1	5.5	28.90
C1012A	C000824	Clear	3/8	9/16	3/32	100	55	1	8.3	46.95
C1013A	C000827	Clear	3/8	5/8	1/8	100	55	1	11.4	53.90
C1014A	C000829	Clear	7/16	9/16	1/16	100	45	1	6.2	33.70
C1015A	C000831	Clear	7/16	5/8	3/32	100	50	1	9.3	46.95
C1015-1A	C000830	Clear	7/16	11/16	1/8	100	55	1	12.7	58.90
C1016A	C000834	Clear	1/2	5/8	1/16	100	45	1	6.8	34.05
C1016-1A	C000833	Clear	1/2	11/16	3/32	100	50	1	10.3	45.65
C1017A	C000841	Clear	1/2	3/4	1/8	100	55	1	14.0	70.20
C1018A	C003163	Clear	11/16	7/8	3/32	100	35	1	13.2	69.00
C1019A	C003164	Clear	9/16	13/16	1/8	100	45	1	15.3	76.20
C1019-1A	C000844	Clear	9/16	3/4	3/32	100	50	1	11.3	63.60
C1020A	C000845	Clear	5/8	3/4	1/16	100	30	1	8.1	42.15
C1021A	C000851	Clear	5/8	13/16	3/32	100	45	1	12.2	66.90
C1022A	C000852	Clear	5/8	7/8	1/8	100	40	1	16.6	84.80
C1023A	C000858	Clear	3/4	7/8	1/16	100	30	1	15.1	55.25
C1023-1A	C000855	Clear	3/4	15/16	3/32	100	35	1	14.2	73.70
C1024A	C000861	Clear	3/4	1	1/8	100	35	1	19.2	94.70
C1025A	C001116	Clear	7/8	1 1/8	1/8	100	30	1	22.0	112.70
C1026A	C000869	Clear	1	1 1/4	1/8	100	25	1	24.4	133.65
C1026-1A	C000868	Clear	1	1 3/16	3/32	100	25	1	18.2	91.90

LEAD FREE\*

\*The wetted surface of this product contacted by consumable water contains less than one quarter of one percent (0.25%) of lead by weight.



43132400

MODEL	ORDERING CODE	COLOR	I.D.	O.D.	WALL	LENGTH FT/COIL	WORKING PRESSURE (psi @ 70°F)	QTY	WEIGHT EACH	LIST PRICE
-------	---------------	-------	------	------	------	----------------	-------------------------------	-----	-------------	------------

### E-Z Dispenser Boxes

LEAD FREE*	XVDC	43132100	Clear	1/8	3/16	1/32	100	55	1	1.4	\$14.10
	XVEC	43132200	Clear	1/8	1/4	1/16	100	55	1	3.1	18.40
	XVFD	43132300	Clear	3/16	5/16	1/16	100	55	1	3.2	20.90
	XVGE	43132400	Clear	1/4	3/8	1/16	100	55	1	3.9	24.25
	XVHF	43132500	Clear	5/16	7/16	1/16	100	50	1	5.2	26.95
	XVIF	43132600	Clear	5/16	1/2	3/32	100	55	1	7.1	39.15
	XVIG	43132640	Clear	3/8	1/2	1/16	100	45	1	5.5	29.45
	XVJG	43132641	Clear	3/8	9/16	3/32	100	55	1	11.0	48.40
	XVKI	43132700	Clear	1/2	5/8	1/16	100	45	1	6.4	38.05
	XVLI	43132800	Clear	1/2	3/4	1/8	100	55	1	7.2	70.70
	XVMK	43132900	Clear	5/8	7/8	1/8	100	40	1	9.0	86.30
	XVNL	43132950	Clear	3/4	1	1/8	50	35	1	12.1	56.50
	XVPN	43132951	Clear	1	1 1/4	1/8	50	25	1	13.9	67.90



C000850

### Dispenser Spools

LEAD FREE*	C1001SC-400	C001471	Clear	1/16	1/8	1/32	400	55	1	2.9	40.95
	C1002SC-300	C001472	Clear	1/8	3/16	1/32	300	55	1	3.4	44.15
	C1003SC-500	C000779	Clear	1/8	1/4	1/16	500	55	1	10.8	96.75
	C1004SC-300	C001143	Clear	3/16	5/16	1/16	300	55	1	8.8	70.70
	C1006SC-250	C001459	Clear	1/4	3/8	1/16	250	55	1	9.0	64.70
	C1009SC-275	C000809	Clear	5/16	7/16	1/16	275	50	1	11.7	76.40
	C1011SC-230	C000821	Clear	3/8	1/2	1/16	230	45	1	11.4	69.65
	C1016SC-100	C001463	Clear	1/2	5/8	1/16	100	45	1	6.8	38.95
	C1020SC-100	C000850	Clear	5/8	3/4	1/16	100	30	1	8.1	46.30
	C1024SC-50	C001162	Clear	3/4	1	1/8	50	35	1	10.1	56.90
	C1026SC-40	C000874	Clear	1	1 1/4	1/8	40	25	1	10.4	54.85

\*The wetted surface of this product contacted by consumable water contains less than one quarter of one percent (0.25%) of lead by weight.

MODEL	ORDERING CODE	COLOR	I.D.	O.D.	WALL	LENGTH FT/COIL	WORKING PRESSURE (psi @ 70°F)	QTY	WEIGHT EACH	LIST PRICE
-------	---------------	-------	------	------	------	----------------	-------------------------------	-----	-------------	------------

### Bulk Open Coil



C000746

LEAD FREE*	B5000-300	C001086	Clear	3/16	3/8	3/32	300	250	1	13.2	\$101.00
	B5001-300	C000738	Clear	1/4	1/2	1/8	300	250	1	16.2	126.30
	B5011-300	C000767	Clear	5/16	17/32	7/64	300	225	1	23.1	138.90
	B5002	C000742	Clear	3/8	5/8	1/8	100	225	1	8.8	58.20
	B5003	C000746	Clear	1/2	3/4	1/8	100	200	1	12.9	67.80
	B5004	C000750	Clear	5/8	7/8	1/8	100	175	1	15.7	79.70
	B5005	C000753	Clear	3/4	1	1/8	100	150	1	20.7	90.75
	B5006	C000759	Clear	1	1 3/8	3/16	100	125	1	28.6	175.30
	B5007	C000761	Clear	1 1/4	1 3/4	1/4	50	100	1	22.4	155.95
	B5008	C000762	Clear	1 1/2	2	1/4	50	75	1	31.3	176.45
B5009	C000764	Clear	2	2 5/8	1/4	50	70	1	46.8	236.45	



C000745

### Coil in Cardboard Box

LEAD FREE*	B5000A	C003167	Clear	3/16	3/8	3/32	100	250	1	5.4	37.85
	B5001A	C000739	Clear	1/4	1/2	1/8	100	250	1	6.4	47.80
	B5011A	C003168	Clear	5/16	17/32	7/64	100	225	1	8.7	48.80
	B5002A	C000745	Clear	3/8	5/8	1/8	100	225	1	9.8	59.55
	B5003A	C001137	Clear	1/2	3/4	1/8	100	200	1	13.9	72.00
	B5004A	C003169	Clear	5/8	1/2	1/8	100	175	1	16.7	83.00
	B5005A	C003170	Clear	3/4	1	1/8	100	150	1	21.7	94.60
	B5006A	C001141	Clear	1	1 3/8	3/16	100	125	1	29.6	180.95



43133200

### E-Z Dispenser Boxes

LEAD FREE*	XBVIE	43133200	Clear	1/4	1/2	1/8	100	250	1	8.4	44.30
	XBVKG	43133400	Clear	3/8	5/8	1/8	100	225	1	11.5	61.00
	XBVLJ	43133600	Clear	1/2	3/4	1/8	100	200	1	14.0	73.65
	XBVMK	43133700	Clear	5/8	7/8	1/8	100	175	1	15.8	84.30
	XBVNL	43133850	Clear	3/4	1	1/8	50	150	1	20.0	51.00
	XBVQN	43133950	Clear	1	1 3/8	3/16	50	125	1	23.0	93.75

### Dispenser Spools



C001136

LEAD FREE*	B5001SC-200	C000741	Clear	1/4	1/2	1/8	200	250	1	11.8	58.20
	B5002SC-150	C001136	Clear	3/8	5/8	1/8	150	225	1	14.2	92.75
	B5003SC-75	C001138	Clear	1/2	3/4	1/8	100	200	1	13.9	74.90
	B5004SC-75	C001139	Clear	5/8	7/8	1/8	75	175	1	12.8	65.50

\*The wetted surface of this product contacted by consumable water contains less than one quarter of one percent (0.25%) of lead by weight.

MODEL	ORDERING CODE	COLOR	I.D.	O.D.	WALL	LENGTH FT/COIL	WORKING PRESSURE (psi @ 70°F)	QTY	WEIGHT EACH	LIST PRICE
-------	---------------	-------	------	------	------	----------------	-------------------------------	-----	-------------	------------

### Bulk Open Coils



C000954

LEAD FREE*	P2001-500	C001527	White	1/16	1/8	1/32	500	140	1	1.8	\$44.15
	P2002	C003175	White	1/8	3/16	1/32	500	140	1	3.1	56.80
	P2003-500	C000954	White	.170	1/4	.040	500	140	1	5.3	67.35
	P2004	C003176	White	1/8	1/4	1/16	500	130	1	7.4	70.45
	P2005	C003177	White	3/16	5/16	1/16	500	130	1	9.8	79.95
	P2006-500	C000980	White	1/4	3/8	1/16	500	120	1	12.2	110.50
	P2007-500	C000992	White	3/8	1/2	1/16	500	100	1	17.1	132.55
	P2008	C003178	White	1/2	5/8	1/16	250	85	1	11.0	74.20
	P2009-250	C001009	White	3/8	5/8	1/8	250	100	1	19.6	109.40
	P2010-250	C001346	White	5/8	3/4	1/16	250	60	1	13.4	112.60
	P2011-250	C001012	White	1/2	3/4	1/8	250	70	1	24.5	115.70
	P2012	C003179	White	3/4	7/8	1/16	100	60	1	6.4	49.05
	P2013-100	C001111	White	5/8	7/8	1/8	100	70	1	11.7	65.25
	P2014	C003180	White	7/8	1	1/16	100	45	1	7.3	73.65
	P2015	C001013	White	3/4	1	1/8	100	70	1	13.7	79.55

### Cardboard Boxes



C000970

LEAD FREE*	P2003A	C000955	White	.170	1/4	.040	100	140	1	2.1	14.95
	P2004A	C000970	White	1/8	1/4	1/16	100	130	1	2.5	16.85
	P2005A	C001467	White	3/16	5/16	1/16	100	130	1	3.0	21.05
	P2006A-100	C001290	White	1/4	3/8	1/16	100	120	1	3.4	25.25
	P2007A	C000994	White	3/8	1/2	1/16	100	100	1	4.4	28.85

### E-Z Dispenser Boxes



4313130

LEAD FREE*	XPEB	43131200	White	.170	1/4	.040	100	140	1	1.4	15.75
	XPFD	43131300	White	3/16	5/16	1/16	100	130	1	2.3	23.15
	XPGE	43131400	White	1/4	3/8	1/16	100	120	1	2.6	27.40
	XPIG	43131600	White	3/8	1/2	1/16	100	100	1	4.0	30.50
	XPKI	43131800	White	1/2	5/8	1/16	100	85	1	6.0	34.35

### Dispenser Spools



C000965

LEAD FREE*	P2003SC-500	C000965	White	.170	1/4	.040	500	140	1	6.3	73.65
	P2004SC-500	C000972	White	1/8	1/4	1/16	500	130	1	8.4	89.40
	P2005SC-500	C000978	White	3/16	5/16	1/16	500	130	1	10.8	107.30
	P2006SC-500	C000988	White	1/4	3/8	1/16	500	120	1	13.2	130.45
	P2007SC-500	C001001	White	3/8	1/2	1/16	500	100	1	18.1	139.90

\*The wetted surface of this product contacted by consumable water contains less than one quarter of one percent (0.25%) of lead by weight.

MODEL	ORDERING CODE	COLOR	I.D.	O.D.	WALL	LENGTH FT/COIL	WORKING PRESSURE (psi @ 70°F)	QTY	WEIGHT EACH	LIST PRICE
-------	---------------	-------	------	------	------	----------------	-------------------------------	-----	-------------	------------

### Bulk Open Coils with Fittings

WC5003-50	C001251	Blue	1/2" ID X 3/4" M FGH	BLU	50	200	1	8.6	\$43.90
WC5003-BLU-100	C001252	Blue	1/2" ID X 3/4" M FGH	BLU	100	200	1	17.2	87.75
WC5004-50-BLU	C003188	Blue	5/8" ID X 3/4" M FGH	BLU	50	200	1	11.5	48.70
WC5004-RED-50	C001079	Red	5/8" ID X 3/4" M FGH	RED	50	200	1	11.5	48.70
WC5004-RED-100	C001078	Red	5/8" ID X 3/4" M FGH	RED	100	200	1	22.9	97.40
WC5004-50-YEL	C003189	Yellow	5/8" ID X 3/4" M FGH	YEL	50	200	1	11.5	48.70
WC5005-BLUE-50	C001107	Blue	3/4" ID X 3/4" M FGH	BLU	50	200	1	9.8	52.70
WC5005-BLUE-100	C001080	Blue	3/4" ID X 3/4" M FGH	BLU	100	200	1	19.7	105.40
WC5005-RED-50	C001083	Red	3/4" ID X 3/4" M FGH	RED	50	200	1	9.8	52.70
WC5005-RED-100	C001081	Red	3/4" ID X 3/4" M FGH	RED	100	200	1	19.7	105.40

### Bulk Open Coils without Fittings

W5003-50-BLU	C003190	Blue	WATER HOSE 1/2" ID	BLU	50	200	1	8.6	36.85
W5003-100-BLU	C003191	Blue	WATER HOSE 1/2" ID	BLU	100	200	1	17.2	73.65
W5003-50-RED	C003192	Red	WATER HOSE 1/2" ID	RED	50	200	1	8.6	36.85
W5003-100-RED	C003193	Red	WATER HOSE 1/2" ID	RED	100	200	1	17.2	73.65
W5004-50-BLU	C003194	Blue	WATER HOSE 5/8" ID	BLU	50	200	1	9.9	42.05
W5004	C001064	Blue	WATER HOSE 5/8" ID	BLU	100	200	1	19.9	84.20
W5004-RED-50	C001069	Red	WATER HOSE 5/8" ID	RED	50	200	1	9.9	42.05
W5004R	C001067	Red	WATER HOSE 5/8" ID	RED	100	200	1	19.9	84.20
W5005-50	C001073	Blue	WATER HOSE 3/4" ID	BLU	50	200	1	9.9	47.35
W5005	C001070	Blue	WATER HOSE 3/4" ID	BLU	100	200	1	19.9	94.65
W5005-50-RED	C003195	Red	WATER HOSE 3/4" ID	RED	50	200	1	9.9	47.35
W5005-RED-100	C001075	Red	WATER HOSE 3/4" ID	RED	100	200	1	19.9	94.65



**C001107**



**C001081**



**C003191**



**C003193**

\*The wetted surface of this product contacted by consumable water contains less than one quarter of one percent (0.25%) of lead by weight.

MODEL	ORDERING CODE	COLOR	I.D.	O.D.	WALL	LENGTH FT/COIL	WORKING PRESSURE (psi @ 70°F)	QTY	WEIGHT EACH	LIST PRICE
-------	---------------	-------	------	------	------	----------------	-------------------------------	-----	-------------	------------

## Vinyl Tubing



42166100



42197050



42174150



42178085

42178095

LEAD FREE*	RVDC	42160041	Clear	1/8	3/16	1/32	400	55	1	5.6	\$63.15
	RVEC	42161140	Clear	1/8	1/4	1/16	400	55	1	7.6	79.95
	RVEB	42160401	Clear	.170	1/4	.040	400	55	1	7.2	85.85
	RVFD	42161300	Clear	3/16	5/16	1/16	300	55	1	9.0	72.60
	RVGE	42162250	Clear	1/4	3/8	1/16	250	55	1	10.3	73.65
	RVHF	42163200	Clear	5/16	7/16	1/16	200	50	1	9.7	69.00
	RVIF	42165200	Clear	5/16	1/2	3/32	150	50	1	9.2	58.90
	RVIG	42164100	Clear	3/8	1/2	1/16	100	45	1	6.4	42.05
	RVJG	42164210	Clear	3/8	9/16	3/32	100	45	1	9.2	49.25
	RVKI	42166100	Clear	1/2	5/8	1/16	100	45	1	7.9	45.30
	RVLJ	42167210	Clear	1/2	3/4	1/8	75	55	1	11.4	58.45
	RVLK	42167100	Clear	5/8	3/4	1/16	100	30	1	7.0	49.95
	RVMK	42167310	Clear	5/8	7/8	1/8	100	40	1	9.4	88.55
	RVNL	42168075	Clear	3/4	1	1/8	75	35	1	17.3	86.95
	RVPN	42169150	Clear	1	1-1/4	1/8	100	25	1	29.7	130.55
	RVSP	42169160	Clear	1-1/4	1-5/8	3/16	50	25	1	25.4	123.90
RVUR	42169170	Clear	1-1/2	1-7/8	3/16	50	25	1	31.7	142.15	
RVXV	42169190	Clear	2	2-3/8	3/16	25	20	1	20.5	96.50	

LEAD FREE*	RVDEB	42160400	Black	.170	1/4	.040	500	55	1	8.2	107.30
	RVBIG	42169210	Black	3/8	1/2	1/16	100	45	1	6.2	42.05
	RVBKI	42169310	Black	1/2	5/8	1/16	100	45	1	7.2	45.25
	RVBLK	42169410	Black	5/8	3/4	1/16	100	30	1	9.0	50.05

## Braided Vinyl Tubing

LEAD FREE*	RBVIE	42172250	Clear	1/4	1/2	1/8	250	250	1	21.0	115.70
	RBVKG	42174150	Clear	3/8	5/8	1/8	150	225	1	17.0	94.65
	RBVLI	42176100	Clear	1/2	3/4	1/8	100	200	1	14.0	77.00
	RBVMK	42177075	Clear	5/8	7/8	1/8	75	175	1	12.0	70.10
	RVNL	42178075	Clear	3/4	1	1/8	75	150	1	15.0	78.70
	RVQON	42178150	Clear	1	1-1/8	3/16	50	125	1	17.0	98.45
	RVVTP	42178250	Clear	1-1/4	1-3/4	1/4	50	100	1	29.0	158.55
	RVVVR	42178350	Clear	1-1/2	2	1/4	50	75	1	31.0	183.35

## Tracer Hose

LEAD FREE*	RBVRL	42178085	Red	3/4	1	1/8	75	150	1	9.0	147.65
	RBVBL	42178095	Blue	3/4	1	1/8	75	150	1	9.0	147.65

\*The wetted surface of this product contacted by consumable water contains less than one quarter of one percent (0.25%) of lead by weight.

Reel Tubing is marked every foot with notch mark and UPC code

MODEL	ORDERING CODE	COLOR	I.D.	O.D.	WALL	LENGTH FT/COIL	WORKING PRESSURE (psi @ 70°F)	QTY	WEIGHT EACH	LIST PRICE
-------	---------------	-------	------	------	------	----------------	-------------------------------	-----	-------------	------------

## Polyethylene Tubing - Low Density

LEAD FREE*	RPEB	42152400	White	.170	¼	.040	400	140	1	7.6	\$71.55
	RPFD	42153300	White	⅜	½	⅛	300	130	1	8.4	66.25
	RPGE	42154300	White	¼	⅜	⅛	300	120	1	9.0	82.10
	RPIG	42156200	White	⅜	½	⅛	200	100	1	9.3	59.35
	RPKI	42157100	White	½	⅝	⅛	100	85	1	7.5	42.50



42153300



42241050



42217150



42185100



4220100

## Latex Tubing

RLGE	42241050		¼	⅜	⅛	50	N/A	1	1.1	63.15
------	----------	--	---	---	---	----	-----	---	-----	-------

## Garden Hose

RGMK	42217150	Green	⅝	⅞	⅛	150	125	1	20.4	145.20
------	----------	-------	---	---	---	-----	-----	---	------	--------

## Air Hose

RALI	42185100	Orange	½	¾	⅛	100	150	1	26.0	84.95
------	----------	--------	---	---	---	-----	-----	---	------	-------

## Spray Hose

RSPKG	42220100	Yellow	⅜	⅝	⅛	100	300	1	25.0	73.65
-------	----------	--------	---	---	---	-----	-----	---	------	-------

\*The wetted surface of this product contacted by consumable water contains less than one quarter of one percent (0.25%) of lead by weight.

Reel Tubing is marked every foot with notch mark and UPC code

MODEL	ORDERING CODE	COLOR	I.D.	O.D.	WALL	LENGTH FT/COIL	WORKING PRESSURE (psi @ 70°F)	QTY	WEIGHT EACH	LIST PRICE
-------	---------------	-------	------	------	------	----------------	-------------------------------	-----	-------------	------------

## Washer Hose

LEAD FREE*	RWNK	42197050	Black	5/8	1	1/8	50	200	1	8.0	\$76.05
	RWPM	42198025	Black	7/8	1 1/4	1/8	25	125	1	11.2	51.40



42197050



42327100



42291100



42206150



42203100

## Heater Hose

RHLK	42327100	Black	5/8	3/4	1/8	100	80	1	9.8	147.30
RHNL	42328100	Black	3/4	1	1/8	75	80	1	8.0	136.95

## Utility Hose

RUTLI	42291100	Red	1/2	3/4	1/8	100	200	1	21.0	148.75
RUTOL	42293075	Red	3/4	1 1/8	3/16	75	200	1	24.0	160.45

## Polyurethane Micro Fuel Line

RUFE	42206150		7/64	1/4	.071	100	133	1	1.9	87.80
------	----------	--	------	-----	------	-----	-----	---	-----	-------

## Fuel Line

RFKF	42203100	Black	5/16	5/8	.156	100	175	1	12.0	97.00
------	----------	-------	------	-----	------	-----	-----	---	------	-------

\*The wetted surface of this product contacted by consumable water contains less than one quarter of one percent (0.25%) of lead by weight.

Reel Tubing is marked every foot with notch mark and UPC code

MODEL	ORDERING CODE	COLOR	I.D.	O.D.	WALL	LENGTH FT/COIL	WORKING PRESSURE (psi @ 70°F)	QTY	WEIGHT EACH	LIST PRICE
-------	---------------	-------	------	------	------	----------------	-------------------------------	-----	-------------	------------

### Spa Flex Hose



42282050

RSFI	42280100	White	½	.84	⅛	100	100	1	14.0	\$151.10
RSFL	42281100	White	¾	1.05	⅛	100	100	1	19.0	182.40
RSFN	42282050	White	1	1.31	⅛	50	100	1	15.0	105.30
RSFP	42284050	White	1¼	1.66	⅛	50	80	1	22.0	149.25
RSFR	42283050	White	1½	1.90	⅛	50	65	1	28.0	149.80



42261050

### Pool & Spa Vacuum Hose

RPSP	42260050	Blue	1¼	1.58	.165	50	n/a	1	7.2	98.00
RPSR	42261050	Blue	1½	1.81	.155	50	n/a	1	9.2	136.75



42180795

### Pump & Bilge Discharge Hose

RBBO	42180785	White	1⅞	1⅝	¼	50	n/a	1	8.0	111.35
RBBP	42180795	White	1¼	1¾	¼	50	n/a	1	9.0	120.40
RBBR	42180765	White	1½	2	¼	50	n/a	1	10.0	166.65

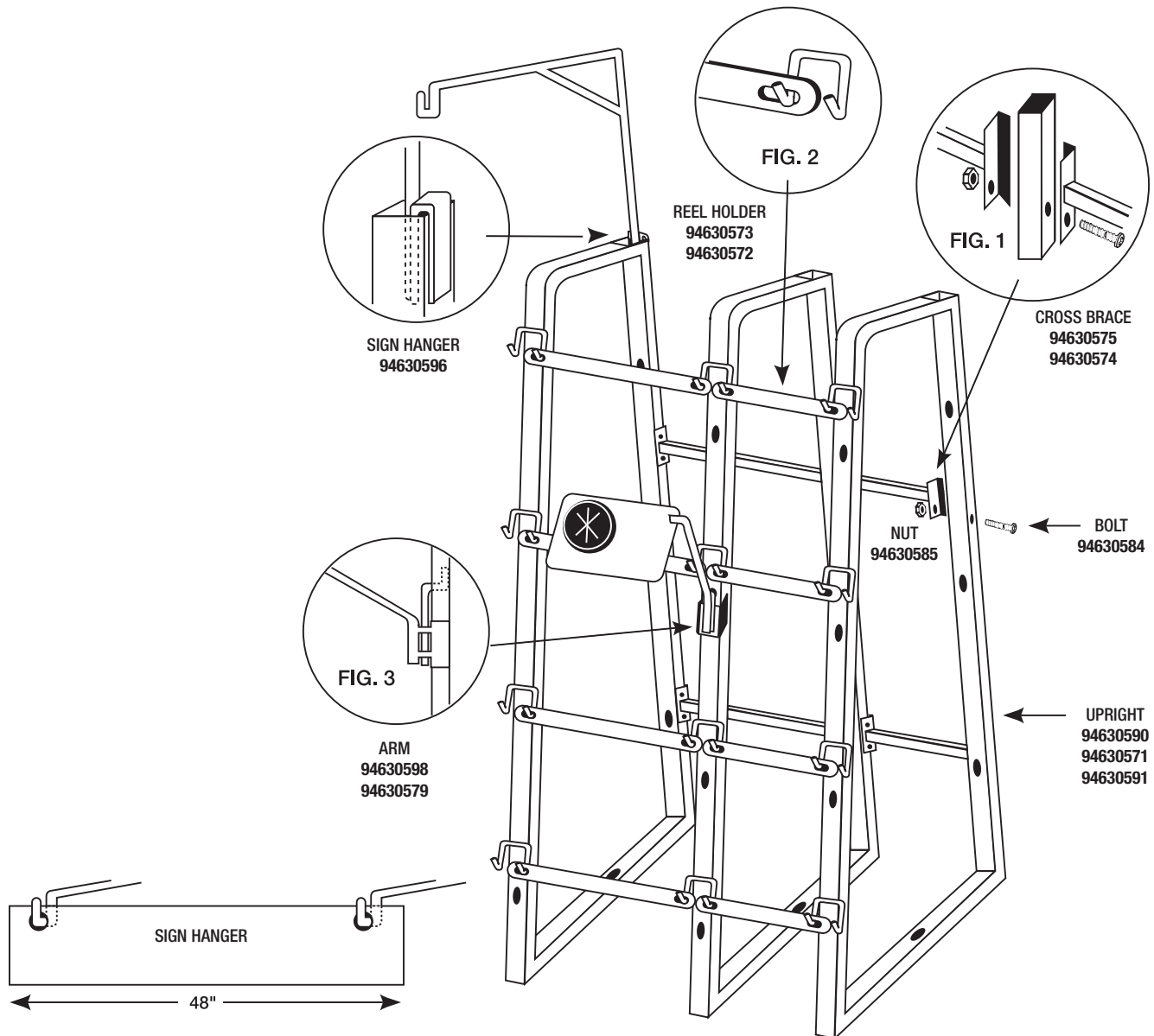


42252150

### Flat Discharge Hose

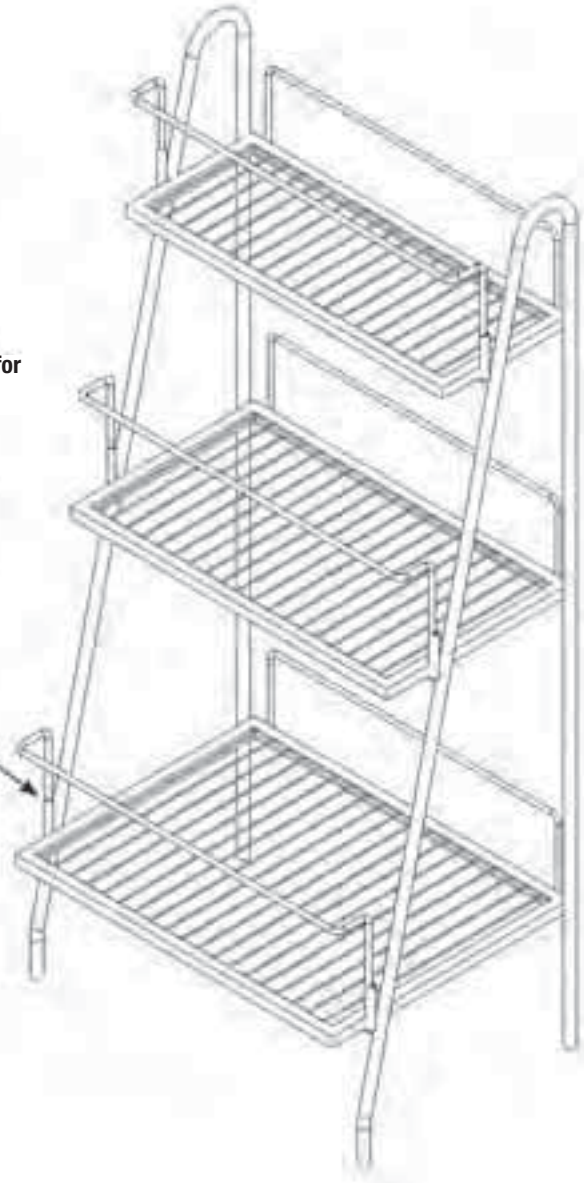
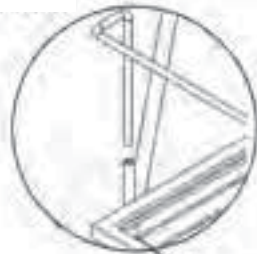
RCDR	42252050	Blue	1½		.051	150	70	1	22.5	189.55
RCDV	42252150	Blue	2		.053	150	65	1	30.0	182.20

DESCRIPTION	ORDERING CODE	QTY	LIST PRICE
UPRIGHT - 1 HK	94630590	1 ea.	\$47.90
UPRIGHT - 4 HK	94630571	1 ea.	88.65
UPRIGHT- 7 HK	94630591	1 ea.	159.45
CROSS BRACE - 8"	94630575	1 ea.	11.30
CROSS BRACE - 13"	94630574	1 ea.	13.15
REEL HOLDER - 8"	94630573	1 ea.	4.70
REEL HOLDER - 13"	94630572	1 ea.	6.05
LARGE ARM	94630598	1 ea.	17.75
X- LARGE ARM	94630579	1 ea.	14.45
SIGN HANGER	94630596	1 ea.	13.60
¼ - 20 X 2" BOLTS	94630584	1 ea.	0.20
¼ - 20 HEX NUTS	94630585	1 ea.	0.05
LABELS FOR RACK	94635003	1 ea.	5.20



DESCRIPTION	ORDERING CODE	QTY	LIST PRICE
Tubing Box Rack	94630546	1 ea.	\$502.10

Product Retention Wire removed for easy merchandising of product



## Chemical Resistance Characteristics Of Polyethylene (Milky White) Excellent Resistance

Acetamide	Calcium Hypochloride	Formaldehyde (40%)	Oxalic Acid (Sat.)	Sodium Benzoate (35%)
Acetic Acid (100%)	Calcium Nitrate (50%)	Formic Acid (100%)	Palmitic Acid	Sodium Bicarbonate (Sat.)
Acrylic Emulsions	Calcium Sulfate	Fructose (Sat.)	Perchloric Acid (10%)	Sodium Bisulfate (Sat.)
Adipic Acid	Carbozole	Fruit Pulp	Phenol (50%)	Sodium Bisulfite (Sat.)
Alanine	Carbon Dioxide Wet/Dry (100%)	Gallic Acid (Sat.)	Phosphorous Pentoside (100%)	Sodium Bromide (Conc.)
Allyl Alcohol	Carbone Monoxide	Gin	Phosphorous Trichloride (100%)	Sodium Carbonate
Aluminum Chloride (Cons.)	Carbonic Acid	Glucose	Photographic Solutions	Sodium Chlorate (Sat.)
Aluminum Fluoride (Conc.)	Castor Oil	Glycerine	Pickling Baths:	Sodium Chloride (Sat.)
Aluminum Hydroxide	Cellosolve Acetate	Glycols	Sulfuric Acid, Hydrochloric Acid	Sodium Cyanide
Aluminum Sulfate (Conc.)	Ceslum Salts	Glycolic Acid (30%)	Sulfuric-Nitric	Sodium Dichromate (Sat.)
Alums (All Types Conc.)	Chloride Water (Sat.)	Grape Sugar (Sat.)	Picric Acid (1%)	Sodium Ferricyanide (Sat.)
Amino Acids	Chromic Acid (50%)	Hydrobromic Acid (50%)	Plating Solutions:	Sodium Ferrocyanide (Sat.)
Ammonia Dry Gas (100%)	Chrome Alum (Sat.)	Hydrochloric Acid (40%)	Brass, Cadmium, Chromium, Copper	Sodium Fluoride (Sat.)
Ammonium Acetate (Sat.)	Cider	Hydrocyanic Acid (Sat.)	Gold, Indium, Lead, Nickel, Rhodium	Sodium Hexametaphosphate
Ammonium Carbonate	Citric Acid	Hydrofluoric Acid (60%)	Silver, Tin, Zinc	Sodium Hydroxide
Ammonium Chloride (Sat.)	Coconut Oil	Hydrogen (100%)	Potassium Bicarbonate (Sat.)	Sodium Hypochlorite
Ammonium Fluoride (Sat.)	Cottonseed Oil	Hydrogen Chloride Gas (Dry)	Potassium Borate (1%)	Sodium Nitrate
Ammonium Hydroxide (Conc.)	Cupric Chloride (Sat.)	Hydrogen Peroxide (30%)	Potassium Bromate (10%)	Sodium Sulfate
Ammonium Metaphosphate (Sat.)	Cupric Cyanide (Sat.)	Hydrogen Phosphide (100%)	Potassium Bromide (Sat.)	Sodium Sulfide (Sat.)
Ammonium Nitrate (Sat.)	Cupric Fluoride (Sat.)	Hydroquinone	Potassium Carbonate	Sodium Sulfite
Ammonium Oxalate	Cupric Nitrate (Sat.)	Hydrogen Sulfide	Potassium Chlorate (Sat.)	Sour Crude
Ammonium Sulfate (Sat.)	Cupric Sulfate	Hypochlorous Acid (Conc.)	Potassium Chloride (Sat.)	Stannous Chloride (Sat.)
Ammonium Sulfide (Sat.)	Cuprous Chloride (Sat.)	Inks	Potassium Chromate (40%)	Stannic Chloride (Sat.)
Aniline	Cyclohexane	Isopropyl Acetate	Potassium Dichromate (Sat.)	Starch Solution (Sat.)
Antimony Salts	Detergents, Synthetic	Isopropyl Alcohol	Potassium Cyanide (Sat.)	Stearic Acid (100%)
Arsenic Acid (80%)	Developers, Photographic	Lactic Acid	Potassium Ferri/Ferro Cyanide (Sat.)	Sulfur
Arsenic Salts	DeXtrin	Latex	Potassium Fluoride	Sulfuric Acid To 70%
Barium Carbonate (Sat.)	Dextrose	Lead Salts	Potassium Hydroxide	Sulfur Dioxide
Barium Chloride (Sat.)	Diethyl Ketone	Lithium Salts	Potassium Nitrate (Sat.)	Sulfur Salts
Barium Hydroxide	Dimethyl Formamide	Magnesium Carbonate (Sat.)	Potassium Perborate (Sat.)	Sulfurous Acid
Sulfate (Sat.)	Dimethyl Sulfoxide	Magnesium Chloride (Sat.)	Potassium Perchlorate (10%)	Tallow
Barium Sulfide (Sat.)	Dipropylene Glycol	Magnesium Hydroxide (Sat.)	Potassium Permanganate (20%)	Tannic Acid (Conc.)
Beer	Disodium Phosphate	Magnesium Nitrate (Sat.)	Potassium Sulfate (Conc.)	Tartaric Acid (Sat.)
Benzenesulfonic Acid (10%)	Diazo Salts	Malic Acid (10%)	Potassium Sulfide (Conc.)	Triethylene Glycol
Benzoic Acid (Sat.)	Emulsions, Photographic	Mercuric Chloride (Sat.)	Potassium Sulfite (Conc.)	Tripropylene Glycol
Benzyl Acetate	Ethyl Acetate (100%)	Mercuric Cyanide (Sat.)	Potassium Persulfate (Sat.)	Trisodium Phosphate
Bismuth Salts	Ethyl Alcohol (100%)	Mercurous Nitrate (Sat.)	Propargyl Alcohol	Turkey Red Oil
Bleach Lye (10%)	Ethyl Benzoate	Mercury	Propyl Alcohol	Undacyl Alcohol
Boric Acid	Ethyl Cyanoacetate	Methyl Alcohol (100%)	Propylene Glycol	Urea
Boron Salts	Ethyl Lactate	Methyl Isobutyl Ketone	Resorcinol	Urine
Brine	Ethylene Glycol	Methyl Propyl Ketone	Salicylaldehyde	Vinegar
N-Butyl Acetate (100%)	Fatty Acids	Methyl Sulfuric Acid	Salicylic Acid	Vanilla Extract
N-Butyl Alcohol (100%)	Ferric Chloride (Sat.)	Milk	Salt Solutions	Wetting Agents
Iso-Butyl Alcohol (100%)	Ferric Nitrate (Sat.)	Molasses	Sea Water	Whiskey
Butanediol	Ferrous Chloride (Sat.)	Nickel Chloride (Sat.)	Selinic Acid	Wines
Cadmium Salts	Ferrous Sulphate	Nickel Nitrate (Conc.)	Shortening	Yeast
Calcium Hydroxide	Fish Solubles	Nickel Sulfate (Sat.)	Silver Acetate	Zinc Chloride (Sat.)
Calcium Bisulfide	Fluoboric Acid	Nicotine (Dilute)	Silver Nitrate	Zinc Stearate
Calcium Carbonate (Sat.)	Fluosilicic Acid (Conc.)	Nicotinic Acid (55%)	Silver Salts	Zinc Sulfate (Sat.)
Calcium Chlorate (Sat.)	Fluorides	N-Octane	Soap Solution	
Calcium Chloride (Sat.)	Freon 12	Orange Extract	Sodium Acetate (Sat.)	

## Fair To Good Resistance

Acetaldehyde	Chlorine Gas (100%)	Fluorine	Methyl Ethyl Ketone (100%)	Ozone
Acetone	Chloroform (100%)	Fuel Oil	Methylene Chloride (100%)	Petroleum Ether
Ammonia Liquid	Cyclohexanone	Furfural (100%)	Mineral Oils	Propylene Dichloride
Amyl Acetate (100%)	Decalin	Furfural Alcohol	Naptha	Sulfuric Acid (80%)
Benzene	Diocetylphthalate	Heptane	Naphthalene	Tetrahydrofuran
Bromine Water	Ethyl Bromide	Iodine	Nitric Acid (70%)	Transformer Oil
Camphor Oil	Ethyl Chloride	Linseed Oil	Oils And Fats	Trichloroethylene
Chloroacetic Acid (100%)	Ethylene Oxide	Methyl Bromide	Oleic Acid	

## Poor Resistance

Amyl Chloride (100%)	Carbon Disulfide	O-Dichlorobenzene	Hexane	Thionyl Chloride
Aqua Regia	Carbon Tetrachloride	P-Dichlorobenzene	Nitrobenzene (100%)	Trichloroethane
Benzaldehyde	Cedarwood Oil	Diethyl Benzene	Lube Oil	Trichloroethylene
Benzyl Alcohol	Chlorine Liquid	Ether	Perchloric Acid	Vinylidene Chloride
Bromine Gas/Liquid	Chlorobenzene	Ethyl Benzene	Perchloroethylene	
Bromobenzene	Chlorosulfonic Acid	Ethyl Butyrate	Sulfur Dioxide (40 Psi)	
Butadiene	Cinnamon Oil	Ethyl Chloride	Sulfuric Acid (96%)	
Butyric Acid	Cresol	Ethylene Chloride	Sulfuric Acid, Fuming	

## Chemical Resistance Characteristics Of Vinyl Or Pvc (Clear Tubing) Excellent Resistance

Acetic Acid	Essential Oils	Oil
Air	Ethyl Alcohol	Oxalic Acid
Alcohols	Ethyl Chloride	Oxygen
Aluminum Chloride	Ethylene Glycol	Palmitic Acid
Aluminum Sulphate	Fatty Acid	Picric Acid
Alums	Ferric Chloride	Phosphoric Acid
Ammonia Gas	Ferric Sulphate	Potassium Chloride
Ammonium Chloride	Flouboric Acid	Potassium Sulphate
Ammonium Nitrate	Fluosilicic Acid	Propane
Ammonium PhoSphate	Formic Acid	Pyrethrum
Ammonium Sulphate	Formaldehyde	Sodium Bisulfite
Amyl Alcohol	Freon	Sodium Bicarbonate
Animal Oils	Gallic Acid	Sodium Borate
Antimony Salts	Gas (Natural)	Sodium Carbonate
Arsenic Salts	Gasoline (Non-Aromatic)	Sodium Chloride
Barium Salts	Gelatin	Sodium Cyanide
Basic Copper Arsenate	Glue (Depending On Type)	Sodium Hydroxide
Beer	Glucose	Sodium Hypochlorite
Benzoic Acid	Glycerine	Sodium Nitrate
Benzyl Alcohol	Hydrochloric Acid	Sodium PhosphAte
Boric Acid	Hydrocyanic Acid	Sodium Silicate
Boric Copper Sulphate	Hydroflouric Acid	Sodium Sulphide
Bordeaux Mixture	Hydraulic Oil	Sodium Sulphate
Butanol	Hydrogen Gas	Sodium Thiosulphate
Butter	Hydrogen Peroxide (Dil.)	Stearic Acid
Calcium Hydroxide	Hydrogen Sulphide	Stannous Chloride
Calcium Hypochlorite	Lactic Acid	Sulphur Dioxide
Calcium Salts	Lard	Sulphuric Acid (Dil.)
Carbolic Acid	Lead Arsenate	Sulphurous Acid
Carbon Monoxide	Lead Sulphate	Tannic Acid
Corn Oil	LimE	Tartaric Acid
Cottonseed Oil	Linseed Oil	Tar Oil
Caustic Potash (-20%)	Magnesium Chloride	Trupentine
Caustic Soda (-20%)	Magnesium Hydroxide	Urea
Chloroform	Magnesium Sulphate	Uric Acid
Chromic Acid	Makeic Acid	Vinegar
Chlorine (Dry)	Milk	Water
Chlorine (Water)	Mineral Oil	Whiskey
Chromium Salts	Molasses	Wine
Copper Chloride	Nickel Chloride	Wool Oil
Copper Sulphate	Nicotine	Zinc Chloride
Citric Acid	Nitric Acid 20%	Zinc Hydrate
Cresylic Acid	NitrOgen Oxide	Zinc Sulphate
Cupric Sulphate	Nitrous Acid	

## Fair To Good Resistance

Aniline	Caustic Soda (+20%)	Pentane
Benzine	Chlordane	Perchloric Acid
Benzol	Creosote	Perchlorethylene
Borax	Ether	Phenolates
Butane	Gasoline (Aromatic)	Phenols
Bromine	Hydrogen Peroxide (Conc.)	Stoddard Solvent
Calcium Bisulphide	Kerosene	Supluric Acid (Conc.)
Calcium Chloride	Mercuric Chloride	Trichloroethylene
Barbon Tetrachloride	Oleic Acid	Trichloracetic Acid
Caustic Potash (+20%)		

## Poor Resistance

Acetic Anhydride	Chloracetic Acid	Lacquer Solvents
Acetone	Cresols	Naphtha
Acetyl Bromide	Cyclohexanone	Nitrobenzene
Acetyl Chloride	Ethyl Acetate	Paint Solvents
Ammonium Hydroxide	Ethylene Dischloride	Pyridine
Amyl Acetate	Fuel Oil (Aromatic Gas)	Toluene
Aromatic Hydrocarbons	Fuel Oil (Aromatic Gas)	Toluol
Butyl Acetate	Isopropyl Acetate	Xylol
Carbon Bisulfide	Ketones	Xylene

The above table and recommendations are accurate to the best of our knowledge. No guarantees are expressed or implied.





# For Technical Assistance Call Your Authorized Watts Brass & Tubular Representative.

			Telephone	E-mail
	<b>HEADQUARTERS:</b> Watts Brass & Tubular	815 Chestnut St., North Andover, MA 01845-6098 U.S.A.	978 688-1811	watts@wattswater.com
<b>North East</b>	Associated Marketing, Inc.	11500 Roosevelt Blvd., Building G-1, Philadelphia, PA 19116	215 677-6870	jOp6@watts.com
	Don Schwartzel Co.	492 Blockhouse Run Rd., New Brighton, PA 15066	724 846-1640	donsco@verizon.net
	Edwards, Platt & Deely, Inc.	368 Wyandanch Ave., North Babylon, NY 11703	631 253-0600	p073@watts.com
	W. P. Haney Company, Inc.	51 Norfolk Ave., South Easton, MA 02375	508 238-2030	p088@watts.com
<b>Mid Atlantic</b>	Disney McLane & Associates	428 McGregor Ave., Cincinnati, OH 45206	800 542-1682	p017@watts.com
	RMI	2533 Mechanicsville Tpk., Richmond, VA 23223	804 643-7355	rmi@ricmrk.com
	WMS Sales, Inc. (Main office)	9580 County Rd., Clarence Center, NY 14032	716 741-9575	p091@watts.com
<b>South East</b>	Billingsley & Associates, Inc	2728 Crestview Ave., Kenner, LA 70062-4829	504 602-8100	p013@watts.com
	GTS Sales	12428 Angel Oak Drive, Huntersville, NC 28078	704 274-5626	sales@gtssales.biz
	Mid-America Marketing, Inc.	203 Industrial Drive, Birmingham, AL 35211	205 879-3469	p032@watts.com
	Mid-America Marketing, Inc.	2611 Grandview Avenue, Nashville, TN 37211	615 259-9944	john@midamericamktg.com
	Mid-America Marketing, Inc.	5466 Old Hwy. 78, Memphis, TN 38118	901 795-0045	sales@midamericamktg.com
	Harry Warren, Inc.	1400 North Orange Blossom Trail, Orlando, FL 32804	407 841-9237	p071@watts.com
<b>North Central</b>	Watts Georgia	2861-B Bankers Industrial Drive, Atlanta, GA 30360	770 209-3310	p059@watts.com
	Dave Watson Associates	1325 West Beecher, Adrian, MI 49221	517 263-8988	p085@watts.com
<b>South Central</b>	Mid-Continent Marketing Services Ltd.	1275 Lakeside Drive, Romeoville, IL 60446	630 953-1211	p072@watts.com
	Soderholm & Associates, Inc.	7150 143rd Ave. N.W., Anoka, MN 55303	763 427-9635	company@soderholmrep.com
	Stickler & Associates	203 S. Curtis Road., Milwaukee, WI 53214	414 771-0400	sales@sticklerassociates.com
	Hugh M. Cunningham, Inc.	13755 Benchmark, Dallas, TX 75234	972 888-3808	p031@watts.com
<b>Western</b>	Mack McClain & Associates, Inc.	4407 Meramec Bottom, Suite G, St. Louis, MO 63129	314 894-8188	p045@watts.com
	Mack McClain & Associates, Inc.	1450 NE 69th Place, Ste. 56 Ankeny, IA 50021	515 288-0184	p049@watts.com
	Mack McClain & Associates, Inc.	15090 West 116th St., Olathe, KS 66062	913 339-6677	p083@watts.com
	OK! Sales, Inc.	214 NE 12th. St., Ste A Moore, OK 73160	405 794-5200	oksales@coxinet.net
	Sandia Group, Inc.	6248 Edgemere #698, El Paso, TX 79925	800-339-0191	p031@watts.com
	Sandia Group, Inc.	3167 San Mateo #308, Albuquerque, NM 87110	800-339-0191	p031@watts.com
	Delco Sales, Inc.	1930 Raymer Ave., Fullerton, CA 92833	714 888-2444	sales@delcosales.com
<b>1116</b>	Delco Sales, Inc.	111 Sand Island Access Rd., Unit I-4, Honolulu, HI 96819	808 842-7900	p021@watts.com
	Fanning & Associates, Inc.	6765 Franklin St., Denver, CO 80229-7111	303 289-4191	sales@fanningandassociates.com
	Hollabaugh Brothers & Associates	6915 South 194th St., Kent, WA 98032	253 867-5040	p001@watts.com
	Hollabaugh Brothers & Associates	3028 S.E. 17th Ave., Portland, OR 97202	503 238-0313	p006@watts.com
	P I R Sales, Inc.	3050 North San Marcos Place, Chandler, AZ 85225	480 892-6000	sales@pirsales.com
	R. E. Fitzpatrick Sales, Inc.	4109 West Nike Dr. (8250 South), West Jordan, UT 84088	801 282-0700	p007@watts.com
	REPCOR	2455 Mercantile Dr. Ste. 100 Rancho Cordova, CA 95742	916 386-2233	sales@repcor1.com
	Reliable Sales Agency, Inc.	El Comandante Ind. Pk. Edif. #2 Sur Ave., San Marcos, Carolina, PR 00982	787 752-6690	gomezjr@caribe.net
Robert's Plumbing, Inc.	33 Robin Lane., Plainview, NY 11803	516 348-0102	robertsplbg@hotmail.com	



A Watts Water Technologies Company



USA: No. Andover, MA • Tel. (978) 688-1811 • Fax: (978) 794-1848 • www.watts.com

Canada: Burlington, ON (905) 332-4090 • Fax: (905) 332-7068 • www.wattscanada.com