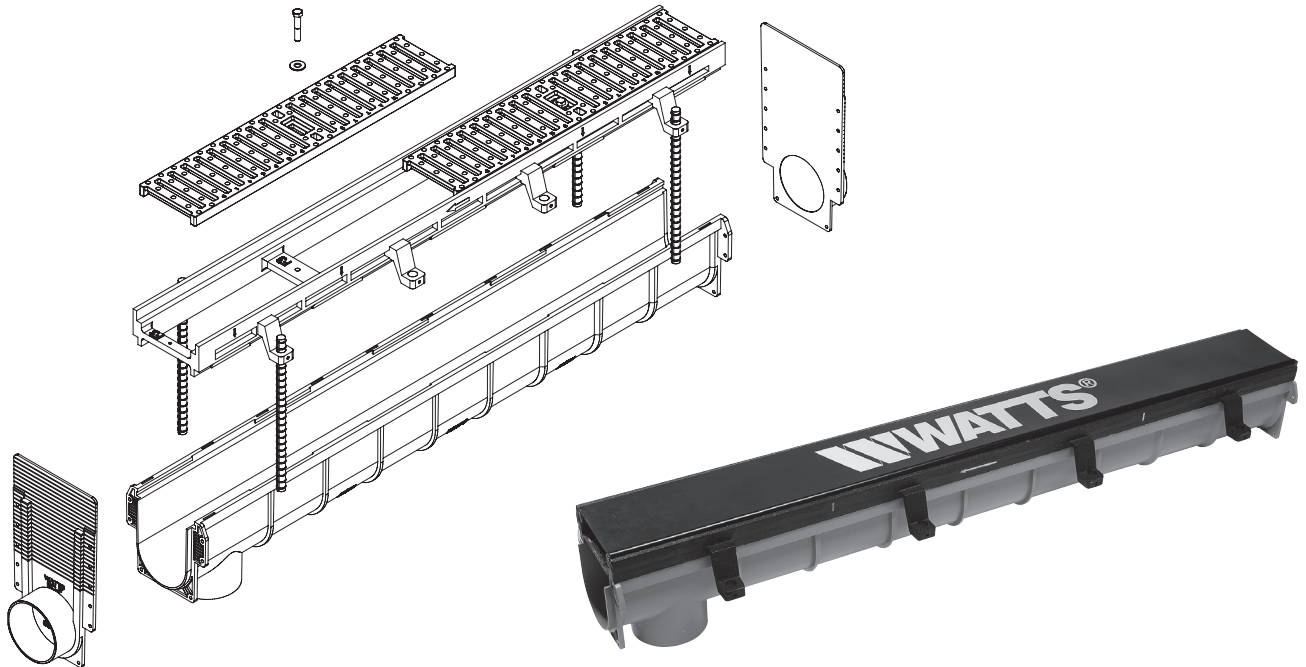


Dead Level™

Pre-sloped Trench Drain System

Frequently Asked Questions



Q: When I order Dead Level™, what comes with it?

A: Dead Level™ is shipped complete with Channels assembled to Frames, Grates, Lockdowns, Frame Connectors, End Caps, Construction Covers, and required Hardware.

Q: Do I have to choose the individual sections for my run?

A: No. You can order Dead Level™ with a simple sketch of the run, showing lengths, flow direction, and outlets.

Q: What size is the piping connection? Are other sizes available?

A: All piping connections are 4" (102mm) no hub, other sizes are not available. The connection is made with a standard 4" (102mm) coupling.

Q: Is the piping connection made on the end or bottom of the run? Can I have multiple outlets, or slope to the center?

A: A connection can be made on the bottom or end. Closed outlets are on the bottom of each channel section, and on the end caps. Runs may slope to the center, away from the center, or in multiple directions.

Q: Can I make corners or tees? Will the joint have to be mitered?

A: With the Corner/Tee Section you can make a corner, tee, or cross, without mitering.

Q: The pre-sloped system is 100' (30m) - what if my run is longer than 100' (30m)?

A: The run can be extended to any length using neutral channel sections, or multiple outlets.

WATTS®

Dead Level™ Trench Drains

Q: How many feet should I run before adding an outlet?

A: An outlet every 100' (30m) is sufficient in most applications. If there are specific concerns over flow rate or volume, consult the Dead Level™ Flow Rate Chart.

Q: Does my system have to be sloped? Can I use all neutral channels?

A: Neutral trench runs are frequently installed where the ground is already pitched, or where depth constraints restrict the use of deeper channel sections.

Q: If I use neutral channels, will there be drainage problems?

A: Unless there are specific flow velocity requirements (ex. airport runways), neutral channels will not significantly affect drainage. Even a system comprised of all neutral channels, on a level grade, will drain to the outlet. However, flow through a sloped system does help flush debris, and keep the channels clean.

Q: Is Dead Level™ available 12" (305mm) wide, or with curved sections?

A: Not at this time, both products are in development.

Q: What's the difference between polypropylene (PP) and high-density polyethylene (HDPE) channels?

A: PP & HDPE are similar compounds, which can be freely interchanged in all common trench drain applications. If high concentrations of chemical substances are anticipated, specific PP & HDPE chemical resistance charts should be referenced.

Q: Can I comply with an H₂O Load Rating?

A: Yes, specify Dead Level™ D with Ductile Iron Grates.

Q: What is the maximum temperature of water that can be discharged into the system?

A: Water up to 212°F (100°C) has a negligible effect on polypropylene channels.

Q: How much time and labor should I figure for installation?

A: A two-man crew with rebar driver and laser level can easily set 100' (30m) in a day.

Q: How much field cutting is required?

A: Cutting is required only to open outlets, trim end caps, and make catch basin or tee connections. Standard Dead Level™ sections are 4' (122cm), but odd runs are accommodated with 1', 2', and 3' (30, 61 and 91cm) sections. For specifications in increments of less than 1' (30cm), the run can almost always be extended or shortened to the nearest foot.

Q: How much concrete is required around the drain? Can I install Dead Level™ in asphalt, or anything other than concrete?

A: Concrete should be poured minimum 4" (102mm) around the entire trench system. Dead Level™ should not be installed in anything other than concrete.

Q: What size rebar do I need?

A: #4 rebar - 1/2" (13mm) diameter.

Q: Should I install the grates before the pour?

A: Grates should be installed before the pour. Construction covers supplied with Dead Level™ protect the grates, and keep debris from entering the channels.

Q: Do I have to seal the channel joints?

A: Channel joints are not sealed in most applications. If there is a special requirement, joints can be sealed with a bead of silicone caulk.

Q: How do I remove the outlet and catch basin cutouts?

A: Outlet cutouts can be removed with a 4" (102mm) hole saw or saws-all. Use a saws-all for catch basin cutouts.



Specification Drainage Products



USA: 100 Watts Road, Spindale, NC, 28160-2298; www.watts.com
Canada: 5435 North Service Rd., Burlington, ONT. L7L 5H7; www.wattscanada.ca