



DualTemp NonDigital Thermostat

Project Information

Project Name: _____ Order # _____ Date: _____
 Engineer: _____ Submitted by: _____ Date: _____
 Contractor: _____ Approved by: _____ Date: _____

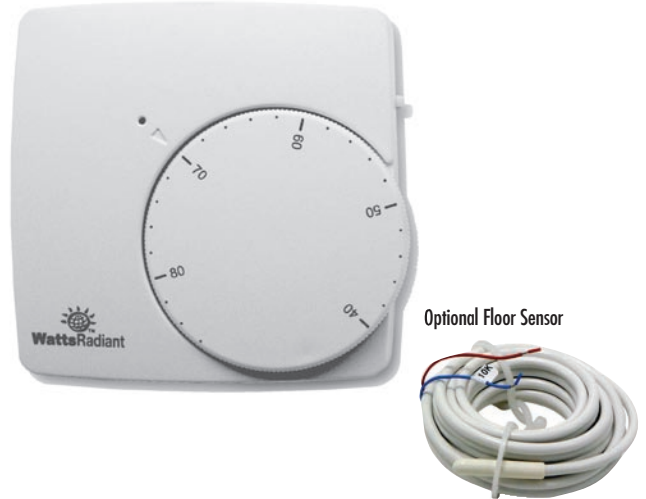
Product Details

The Watts Radiant DualTemp thermostat has the ability to sense the temperature of the air, floor or a combination of air and floor. Each DualTemp comes with an internal air sensor. An OPTIONAL external 10k sensor which allows detection of floor temperatures may be ordered separately. The external sensor does not have to be used if the DualTemp is to detect air temperatures only.

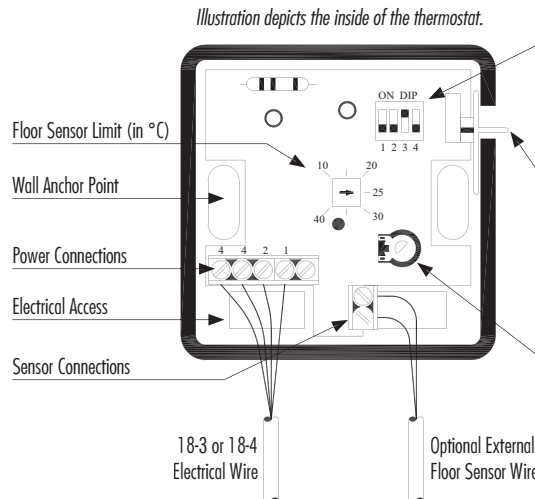
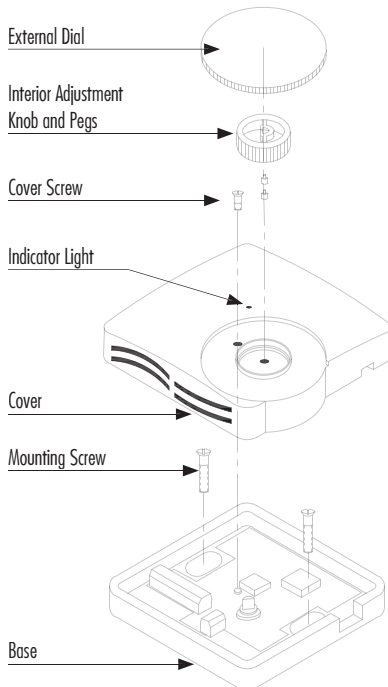
Technical Details

Operation Voltage.....	24V	°C	°F
Contact.....	Triac		
Output Power.....	15 W (0.6 amps @ 24V)	10	50.0
Sensor.....	NTC 10K Thermistor	15	59.0
Static Differential.....	1°F	20	68.0
Proportional.....	10 minutes for 3.5°F	25	77.0
Built-in manual setback.....	7°F	30	86.0
Air Temp Range.....	41- 86°F	35	95.0
Floor Temp Range.....	50 - 104°F	40	104.0

Indicator light with built-in error detection.



Detail View



Dip Switch Settings (default setting is OFF)

ON	OFF	Operation
	1	N/C Actuator
1		N/O Actuator
	2	Static Differential
	2	Proportional Differential
	3,4	Air Sensor Only
4	3	Floor Sensor Only
3	4	Air Sensor with Floor Low Limit
3,4		Air Sensor with Floor High Limit

Operational Switch

- ☉ Optional Timer (from Watts Radiant)
- ☀ Heating Mode
- ☾ Set-back Mode

Air Sensor Dial

(shown in minimum temperature position)

Installation & Operation

To mount the thermostat remove the Exterior Dial and the Cover Screw. Secure the Base Unit to the wall. Be sure to feed the electrical wiring (18-3 or 18-4) through the provided slot in the Base Unit and connect to appropriate terminal block(s). Replace the Cover, Cover Screw and External Dial.

Make sure the internal dip switches are set according to how the thermostat is to operate. If floor sensing is desired, make sure the floor sensor is connected to the corresponding sensor terminals.

Product Options

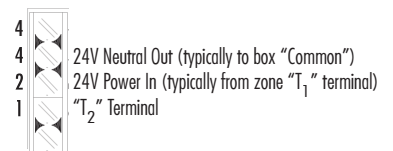
Qty.	Description	Part #	Order #
	DualTemp, 24V Non-digital, Air/Floor	P-2069	81005258
	Floor Sensor, 10K	500802	81000505

Power Terminals Wiring Guide

Option 1 (18-4 wire): Transformer and Relay

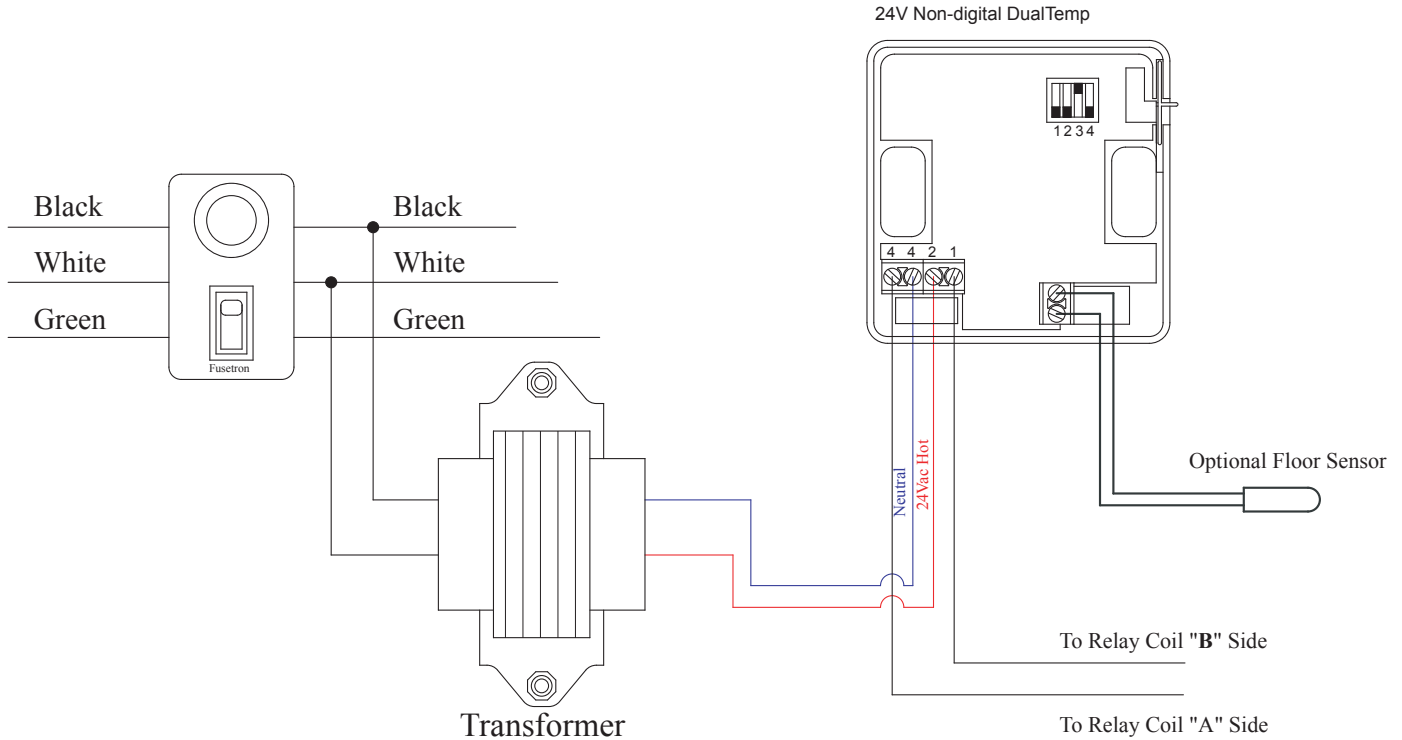


Option 2 (18-3 wire): Third Party Relay Box



DualTemp NonDigital Thermostat Wiring Diagrams

Non-Digital DualTemp with Transformer and Relay



Non-Digital DualTemp with Third Party Relay Box

